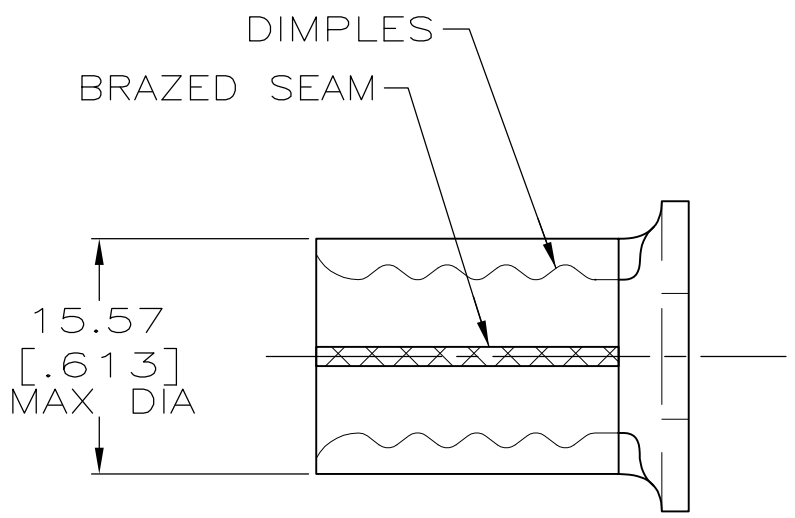


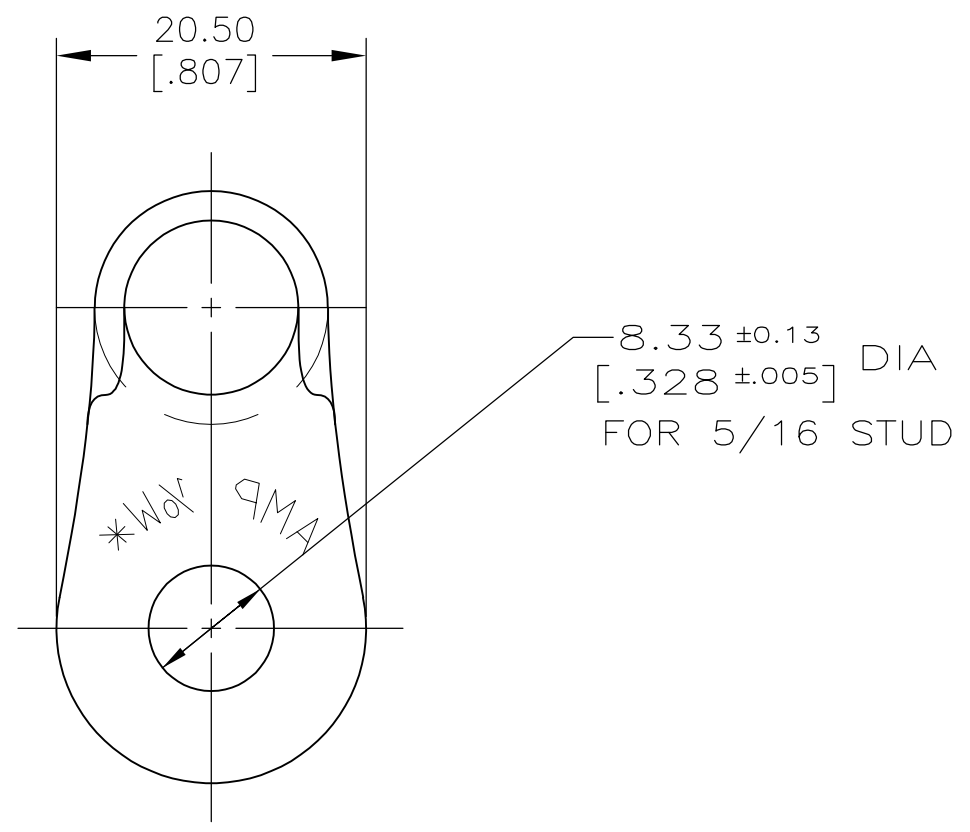
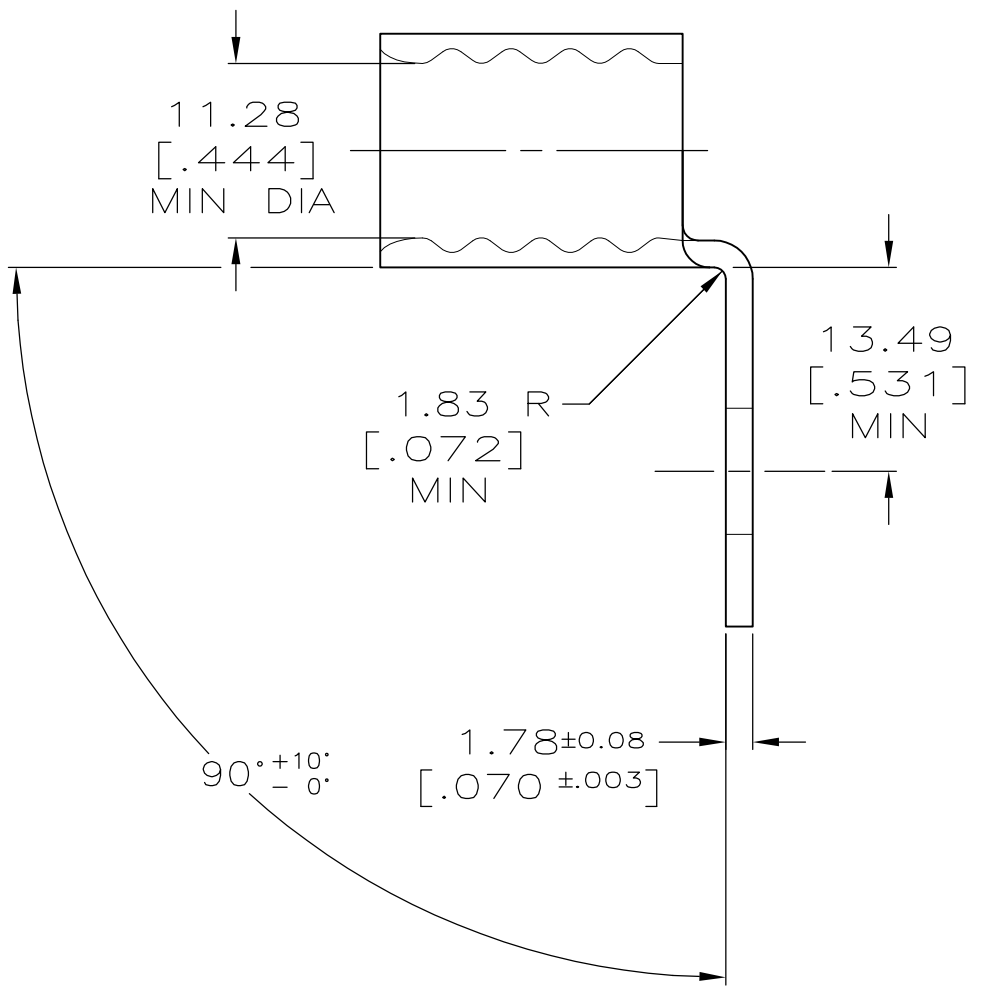
THIS DRAWING IS UNPUBLISHED. RELEASED FOR PUBLICATION
 © COPYRIGHT - BY TYCO ELECTRONICS CORPORATION. ALL INTERNATIONAL RIGHTS RESERVED.

LOC	DIST	REVISIONS					
		P	LTR	DESCRIPTION	DATE	DWN	APVD
G	14		A2	REVISED PER ECO-11-001029	17JAN11	HMR	DR



AMP WIRE RANGE	E13288 Listed
1/0 AWG SOLID OR STRANDED	1/0 AWG STRANDED
LR7189 Certified	MILITARY P/N AND CLASS
1/0 AWG SOLID OR STRANDED	NOT APPLICABLE

- 1 COPPER PER ASTM B-152, ANNEALED.
- 2 TIN PLATE 0.00254 [.000100] MIN PER ASTM B-545.



321867-1
PART NO.

THIS DRAWING IS A CONTROLLED DOCUMENT.		DWN DK SCHRUM 8/8/91	Tyco Electronics Corporation Harrisburg, PA 17105-3608	
DIMENSIONS: MM [INCHES]		CHK JB FESLER 8/13/91	NAME	
TOLERANCES UNLESS OTHERWISE SPECIFIED:		APVD JL MECKLEY 8/13/91	TERMINAL, RING TONGUE, BENT 90, SOLISTRAND, WIRE SIZE 50.0mm ² [1/0] AWG	
0 PLC ± -		PRODUCT SPEC	SIZE	CAGE CODE
1 PLC ± -		APPLICATION SPEC	A3	00779
2 PLC ± 0.20[.008]		WEIGHT	DRAWING NO	
3 PLC ± -			G-321867-1	
4 PLC ± -			RESTRICTED TO	
ANGLES ± -			-	
MATERIAL	FINISH	CUSTOMER DRAWING		
1	2	SCALE	SHEET	REV
		2:1	1 OF 1	A2

Mouser Electronics

Authorized Distributor

Click to View Pricing, Inventory, Delivery & Lifecycle Information:

[TE Connectivity:](#)

[321867-1](#)