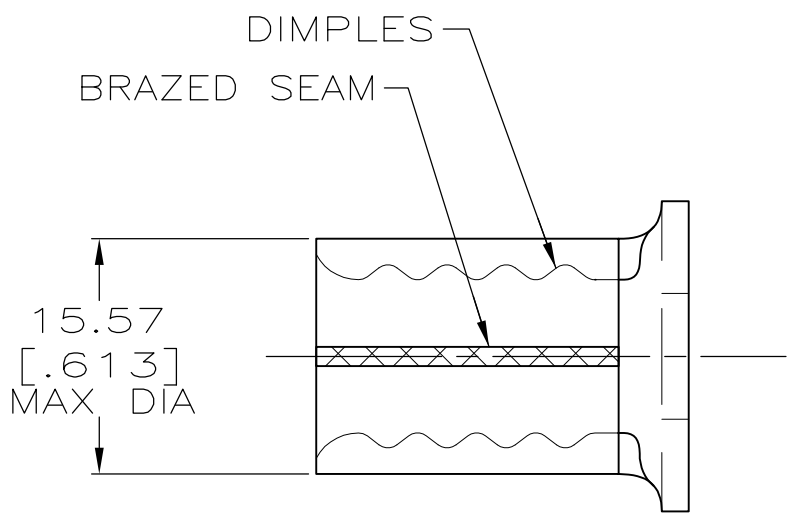


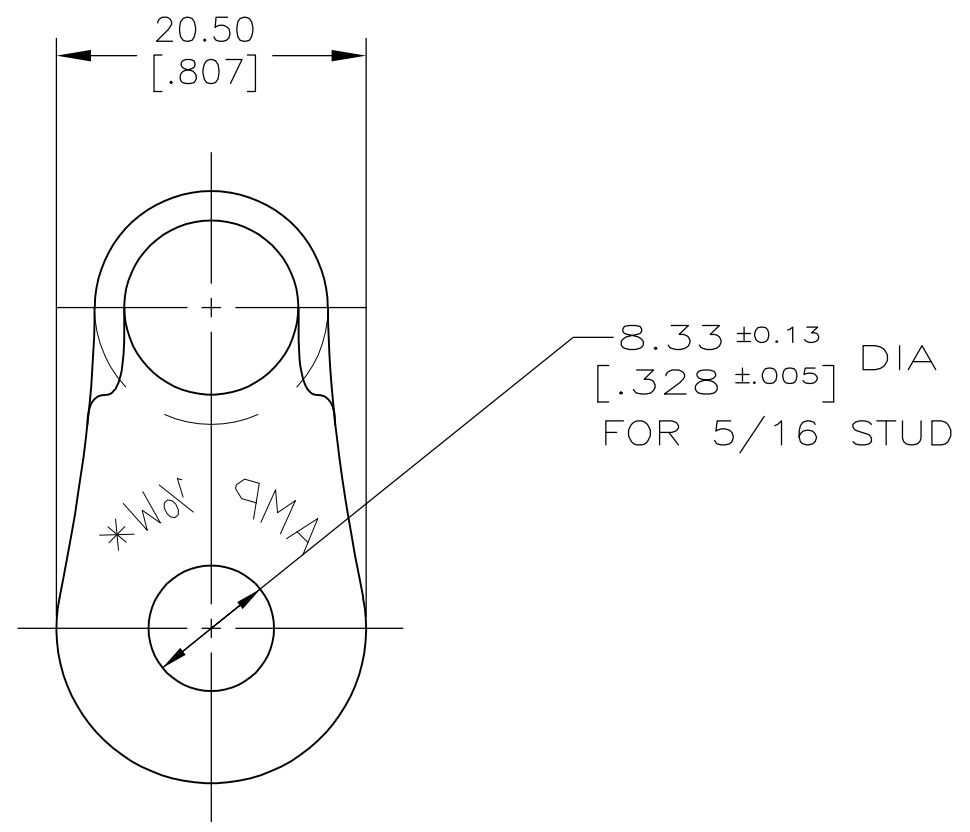
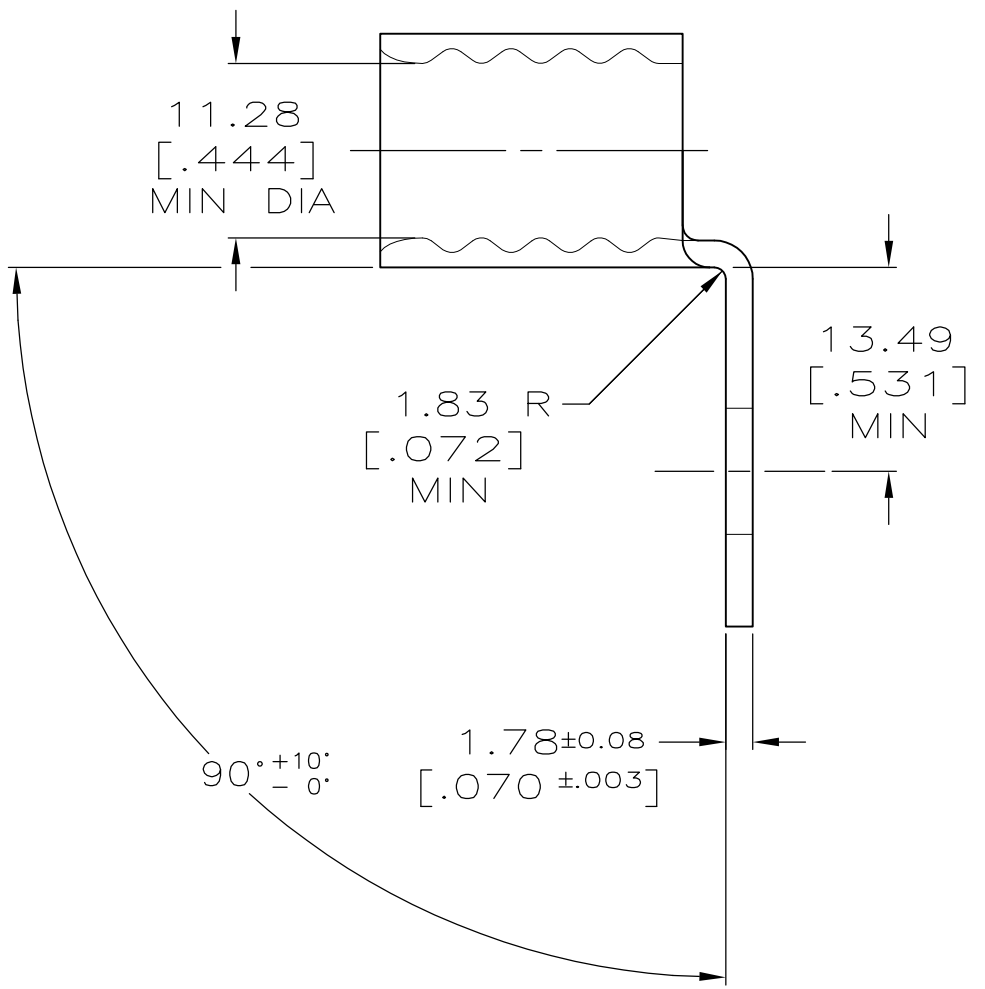
THIS DRAWING IS UNPUBLISHED. RELEASED FOR PUBLICATION
 © COPYRIGHT BY TYCO ELECTRONICS CORPORATION. ALL INTERNATIONAL RIGHTS RESERVED.

LOC	DIST	REVISIONS					
		P	LTR	DESCRIPTION	DATE	DWN	APVD
G	14		A2	REVISED PER ECO-11-001029	17JAN11	HMR	DR



AMP WIRE RANGE	E13288 Listed
1/0 AWG SOLID OR STRANDED	1/0 AWG STRANDED
LR7189 Certified	MILITARY P/N AND CLASS
1/0 AWG SOLID OR STRANDED	NOT APPLICABLE

- 1 COPPER PER ASTM B-152, ANNEALED.
- 2 TIN PLATE 0.00254 [.000100] MIN PER ASTM B-545.



321867-1
PART NO.

THIS DRAWING IS A CONTROLLED DOCUMENT.		DWN DK SCHRUM 8/8/91	Tyco Electronics Corporation Harrisburg, PA 17105-3608	
DIMENSIONS: MM [INCHES]		CHK JB FESLER 8/13/91	NAME	
TOLERANCES UNLESS OTHERWISE SPECIFIED:		APVD JL MECKLEY 8/13/91	PRODUCT SPEC	
0 PLC ± -		APPLICATION SPEC		
1 PLC ± -		WEIGHT -		
2 PLC ± 0.20[.008]		SIZE A3 CAGE CODE 00779 DRAWING NO C-321867-1 RESTRICTED TO -		
3 PLC ± -		SCALE 2:1 SHEET 1 OF 1 REV A2		
4 PLC ± -		CUSTOMER DRAWING		
ANGLES ± -				
FINISH				
1		2		