

4

3

2

1

THIS DRAWING IS UNPUBLISHED.

RELEASED FOR PUBLICATION

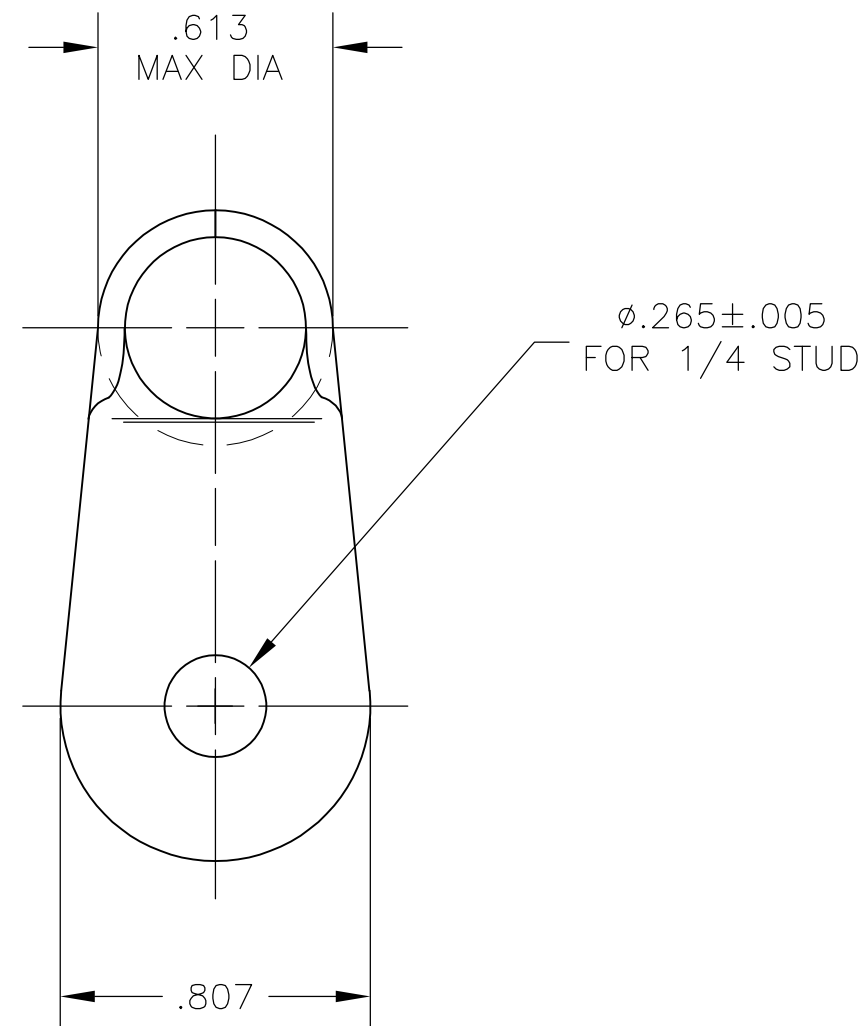
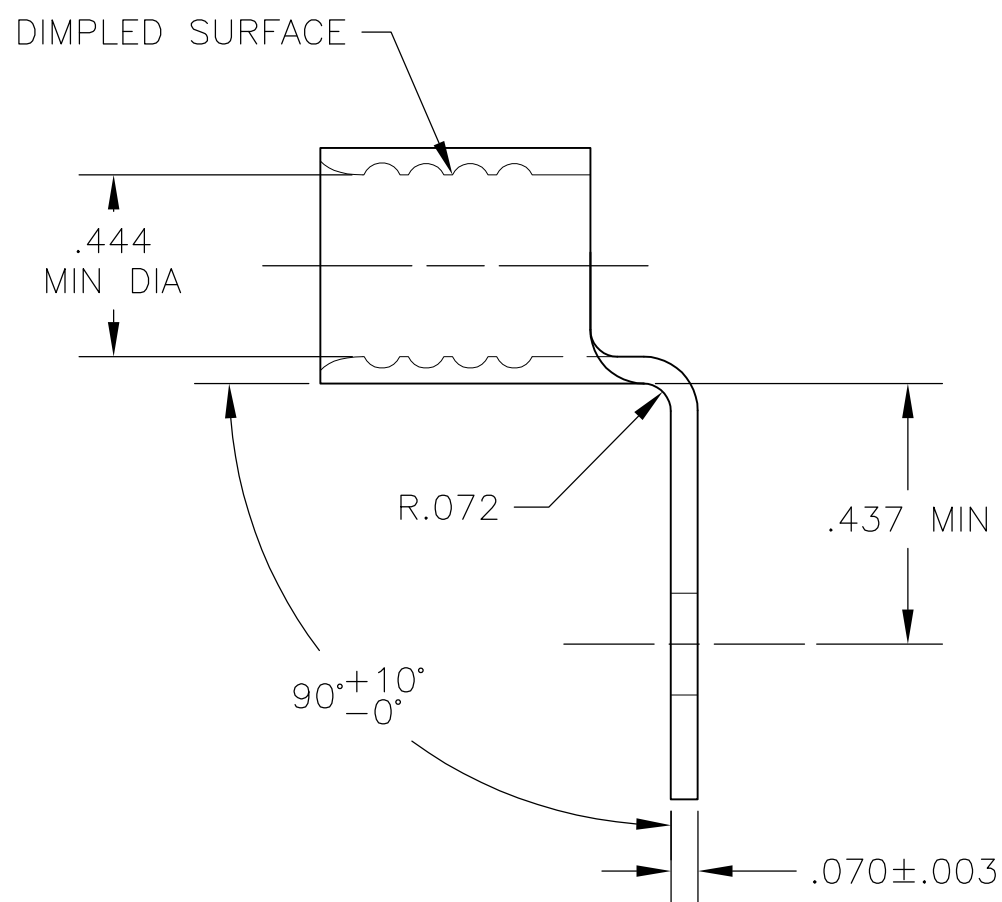
-. -. .

© COPYRIGHT - By -

ALL RIGHTS RESERVED.

LOC	DIST	REVISIONS			
P	LTR	DESCRIPTION	DATE	DWN	APVD
G	14	C1	REVISED PER ECO-12-006198	30MAR12	KH DR

- 1 COPPER PER ASTM B-152, ANNEALED
- 2 TIN PLATE PER ASTM B-545



322905  
PART NO

THIS DRAWING IS A CONTROLLED DOCUMENT.		DWN jr_ruth 07MAY04	TE Connectivity		
DIMENSIONS: INCHES		CHK MJ SPICER 07MAY04			
		APVD MJ SPICER 07MAY04	NAME WIRE TERMINAL SOLISTRAND, RING TONGUE, BENT 90 WIRE SIZ 1/0		
TOLERANCES UNLESS OTHERWISE SPECIFIED:		PRODUCT SPEC	RESTRICTED TO		
0 PLC ± - 1 PLC ± - 2 PLC ± - 3 PLC ± .008 4 PLC ± - ANGLES ± 5°		APPLICATION SPEC	SIZE	CAGE CODE	DRAWING NO
MATERIAL		WEIGHT	A3	00779	C-322905
FINISH		CUSTOMER DRAWING		SCALE	SHEET
- 1		- 2		2:1	1 OF 1
				REV	C1

# Mouser Electronics

Authorized Distributor

Click to View Pricing, Inventory, Delivery & Lifecycle Information:

[TE Connectivity:](#)

[322905](#)