

4

3

2

1

THIS DRAWING IS UNPUBLISHED.

RELEASED FOR PUBLICATION

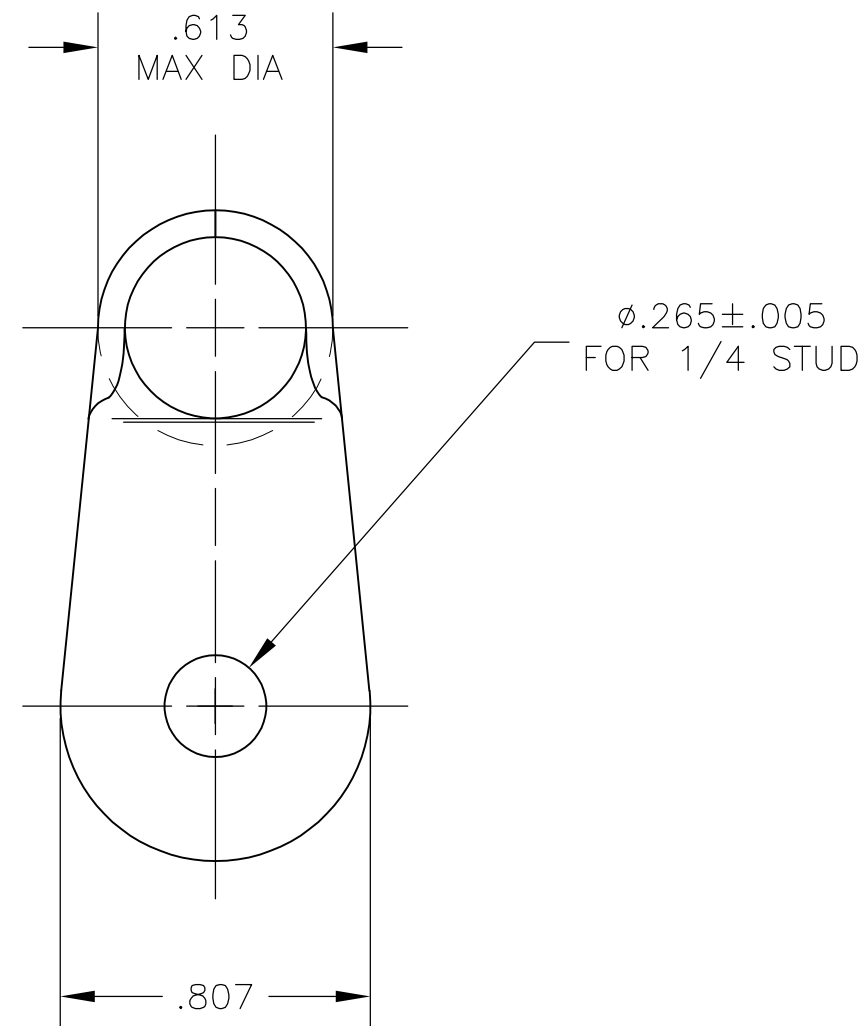
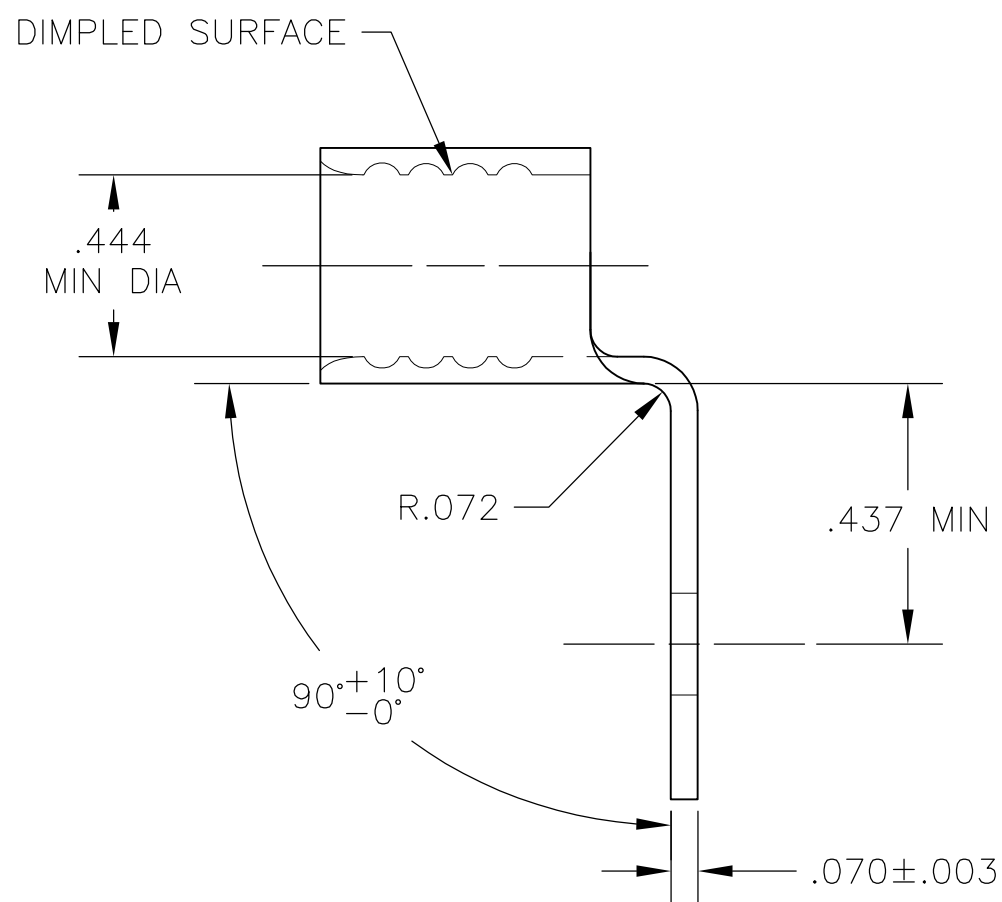
-. - .

© COPYRIGHT - By -

ALL RIGHTS RESERVED.

LOC	DIST	REVISIONS			
P	LTR	DESCRIPTION	DATE	DWN	APVD
G	14				
	C1	REVISED PER ECO-12-006198	30MAR12	KH	DR

- △ 1 COPPER PER ASTM B-152, ANNEALED
- △ 2 TIN PLATE PER ASTM B-545



322905
PART NO

THIS DRAWING IS A CONTROLLED DOCUMENT.		DWN jr_ruth 07MAY04	TE Connectivity		
DIMENSIONS: INCHES		CHK MJ SPICER 07MAY04			
		APVD MJ SPICER 07MAY04	NAME WIRE TERMINAL SOLISTRAND, RING TONGUE, BENT 90 WIRE SIZ 1/0		
TOLERANCES UNLESS OTHERWISE SPECIFIED: 0 PLC ± - 1 PLC ± - 2 PLC ± - 3 PLC ± .008 4 PLC ± - ANGLES ± 5°		PRODUCT SPEC -	RESTRICTED TO -		
MATERIAL - 1		APPLICATION SPEC -	SIZE A3	CAGE CODE 00779	DRAWING NO C-322905
FINISH - 2		WEIGHT -	CUSTOMER DRAWING		
			SCALE 2:1	SHEET 1 OF 1	REV C1