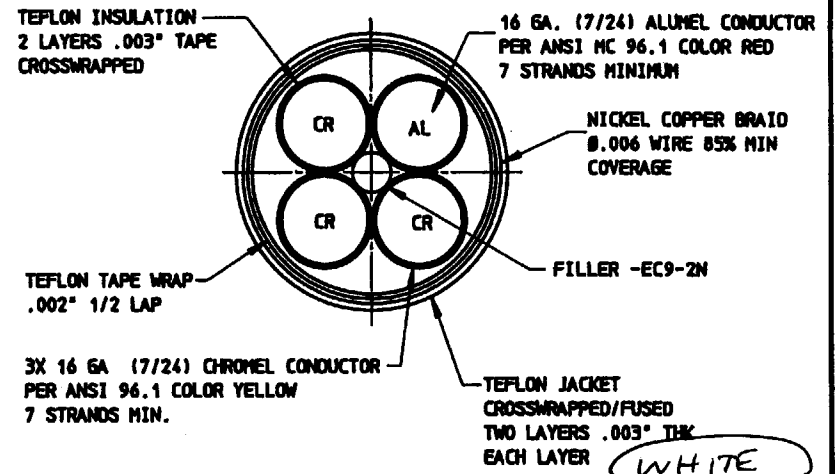


↓ **609075**

DATE	LET	REVISION	BY	CHK	APPROVALS
91-02-22	-	SEE ECR #15501	WAC	GAN	BD ES .. ARS PMP
91-09-24	A	ECR #15837	GAN	WAC	BD ES .. ARS BL
92-11-20	B	ECR #16118	WAC	GAN	BD ES .. ARS

NOTES:

- LAY LENGTH: I.A.W. MIL-C-27500
- INSPECTION: A. I.R. - 500 MEGOHMS MIN AT 500 VDC
B. CONTINUITY
- THESE CABLES SHALL BE SUBJECTED TO A WET DIELECTRIC TEST IN ACCORDANCE WITH METHOD 6111 OF FED STD-228, EXCEPT THE TIME OF IMMERSION WILL BE ONE HOUR MINIMUM. THE TEST VOLTAGE SHALL BE 1000 V RMS AND THE TIME OF ELECTRIFICATION SHALL BE ONE MINUTE. TEST VOLTAGE SHALL BE APPLIED BETWEEN THE CONDUCTORS AND SHIELDS TO THE WATER.



APPROVED SOURCE OF SUPPLY			
SUPPLIER DATA			
REVERE P/N	SOURCE P/N	SOURCE CAGE	SOURCE NAME AND ADDRESS
609075-00	852-4986102	60685	SPECIALTY WIRE & CABLE 2 TOWER DR. WALLINGFORD, CT

ONLY THE ITEM DESCRIBED ON THIS DRAWING, WHEN PROCURED FROM THE VENDOR LISTED HEREON, IS APPROVED BY REVERE AEROSPACE INC FOR USE IN THE APPLICATION SPECIFIED HEREON. A SUBSTITUTE ITEM SHALL NOT BE USED WITHOUT PRIOR APPROVAL OF REVERE AEROSPACE INC.

IDENTIFICATION OF THE SUGGESTED SOURCE OF SUPPLY HEREON IS NOT TO BE CONSTRUED AS A GUARANTEE OF PRESENT OR CONTINUED AVAILABILITY AS A SOURCE OF SUPPLY FOR THE ITEM.

SOURCE CONTROL DRAWING

QTY. REQD/DASH NO.		PART OR IDENTIFYING NO.	ITEM	DESCRIPTION	REMARKS				
DRAWN		CHECKED	ENG APPR	ENG APPR	APPROVED	APPROVED	THIRD ANGLE PROJECTION		
WAC	GAN	BD	ES	ARS	PAP	INCH (mm)			
91-02-22	91-03-05	91-03-07	91-03-22	91-03-22	91-03-22				
INCHES		MILLIMETERS	BREAK SHARP EDGES 01 - 03	ANGLES ± 2°	609265	608220	THERMOCOUPLE CABLE (3 CR/1 AL 16 AWG)		
2 PL. DEC. ±0.03	1 PL. DEC. ±0.6			SPECIFICATIONS ARE TO LATEST REVISION	NEXT ASSY.	USED ON	CODE IDENT. No.	SIZE	DRAWING NUMBER
3 PL. DEC. ±0.005	2 PL. DEC. ±0.13						50625	B	609075
HEAT TREAT		ALL DIMENSIONS APPLICABLE AFTER SURFACE TREATMENT		APPLICATION		DIMENSIONING & TOLERANCING per ANSI Y14.5M-1982		WEIGHT	
MATERIAL SPEC.		FINISH SPEC.		SURFACE 125-ROUGHNESS per ANSI B46.1		THREADS PER HANDBOOK H-28 AND MIL-STD-9		SCALE 1:1	
PROPRIETARY		THIS DRAWING CONTAINS PROPRIETARY INFORMATION WHICH SHALL NOT BE REPRODUCED OR TRANSFERRED TO OTHER DRAWINGS OR DISCLOSED TO OTHERS OR USED FOR MANUFACTURING OR ANY OTHER PURPOSE WITHOUT WRITTEN PERMISSION OF REVERE AEROSPACE INC. WHERE RELATED TO A UNITED STATES GOVERNMENT CONTRACT, SUCH INFORMATION MAY BE DISCLOSED AS PROVIDED IN SUCH CONTRACT AND MAY BE USED BY THE UNITED STATES GOVERNMENT FOR MAINTENANCE, SERVICING AND REPAIR PURPOSES OR AS OTHERWISE PROVIDED BY SUCH PRIOR WRITTEN PERMISSION.		DO NOT SCALE DWG.		CONTRACT No.		SHEET 1 OF 1	

AMETEK Proprietary; 09/21/01; ISSUED FOR PRODUCTION
#EC's Released/Required: -NONE-

To: JR