

Raised Floor Enclosure Support System™

Simplifies The Installation of Enclosures onto a Raised Floor or Slab

Time-saving and practical, the Raised Floor Enclosure Support System consists of riser bases 2-1/2" high which provide the ability to perform field rough-in procedures prior to the arrival of the racks and enclosures. Also handy as a lower cable chase for passing cables between racks in multi-bay applications, riser bases feature 1/8" thick fully welded construction and an attractive black powder coat finish. Riser bases feature knockouts for passing cable between joined riser bases. Riser feet bring top of riser bases to a 12" height (or custom height) for use with raised floors. Raised floor support angles support floor tiles when used with riser bases and feet. Custom width, depth and height RIB Series riser bases are also available, please call for details.

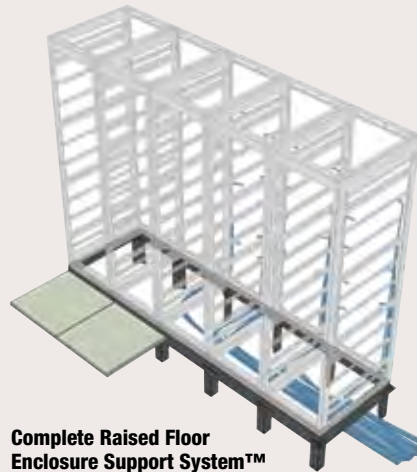


Spec. #
96-923
for full
product
info.



RIB Series Riser Base
shown with MRK racks
and custom cable chase

accommodates DRK, MRK,
VMRK, VRK, WMRK, and WRK
Series racks and enclosures

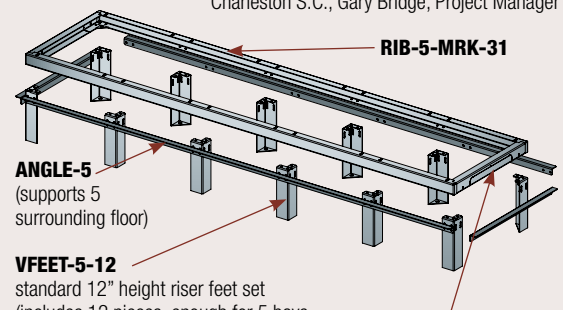


**Complete Raised Floor
Enclosure Support System™**
shown in typical raised
floor installation

example of riser
base in a raised
floor installation



photo courtesy of VT Group,
Charleston S.C., Gary Bridge, Project Manager



RIB-5-MRK-31
ANGLE-5
(supports 5
surrounding floor)
VFEET-5-12
standard 12" height riser feet set
(includes 12 pieces, enough for 5 bays)

custom height riser feet available,
please call for details

riser bases feature
cable pass-through laser
knockouts for use when
joining multiple bases

RIB Series Riser Bases Part #	# of Bays	Raised Floor Riser Feet Part #	Raised Floor Support Angles Part #	Accommodates
RIB-1-WRK-27	1	VFEET-1-12	WANGLE-1	WRK 27" deep racks
RIB-2-WRK-27	2	VFEET-2-12	WANGLE-2	WRK 27" deep racks
RIB-3-WRK-27	3	VFEET-3-12	WANGLE-3	WRK 27" deep racks
RIB-4-WRK-27	4	VFEET-4-12	WANGLE-4	WRK 27" deep racks
RIB-5-WRK-27	5	VFEET-5-12	WANGLE-5	WRK 27" deep racks
RIB-1-WRK-32	1	VFEET-1-12	WANGLE-1	WRK 32" deep racks
RIB-2-WRK-32	2	VFEET-2-12	WANGLE-2	WRK 32" deep racks
RIB-3-WRK-32	3	VFEET-3-12	WANGLE-3	WRK 32" deep racks
RIB-4-WRK-32	4	VFEET-4-12	WANGLE-4	WRK 32" deep racks
RIB-5-WRK-32	5	VFEET-5-12	WANGLE-5	WRK 32" deep racks
RIB-1-WMRK-36	1	VFEET-1-12	WMANGLE-1-3642	WMRK 36" depth racks
RIB-2-WMRK-36	2	VFEET-2-12	WMANGLE-2-3642	WMRK 36" depth racks
RIB-3-WMRK-36	3	VFEET-3-12	WMANGLE-3-3642	WMRK 36" depth racks
RIB-1-WMRK-42	1	VFEET-1-12	WMANGLE-1-3642	WMRK 42" depth racks
RIB-2-WMRK-42	2	VFEET-2-12	WMANGLE-2-3642	WMRK 42" depth racks
RIB-3-WMRK-42	3	VFEET-3-12	WMANGLE-3-3642	WMRK 42" depth racks
RIB-1-WMRK-48	1	VFEET-1-12	WMANGLE-1-48	WMRK 48" depth racks
RIB-2-WMRK-48	2	VFEET-2-12	WMANGLE-2-48	WMRK 48" depth racks
RIB-3-WMRK-48	3	VFEET-3-12	WMANGLE-3-48	WMRK 48" depth racks
RIB-1-MRK-26	1	VFEET-1-12	ANGLE-1	MRK 26" depth racks
RIB-2-MRK-26	2	VFEET-2-12	ANGLE-2	MRK 26" depth racks
RIB-3-MRK-26	3	VFEET-3-12	ANGLE-3	MRK 26" depth racks
RIB-4-MRK-26	4	VFEET-4-12	ANGLE-4	MRK 26" depth racks

RIB Series Riser Bases Part #	# of Bays	Raised Floor Riser Feet Part #	Raised Floor Support Angles Part #	Accommodates
RIB-5-MRK-26	5	VFEET-5-12	ANGLE-5	MRK 26" depth racks
RIB-1-MRK-31	1	VFEET-1-12	ANGLE-1	MRK/VMRK/VRK 31" depth racks
RIB-2-MRK-31	2	VFEET-2-12	ANGLE-2	MRK/VMRK/VRK 31" depth racks
RIB-3-MRK-31	3	VFEET-3-12	ANGLE-3	MRK/VMRK/VRK 31" depth racks
RIB-4-MRK-31	4	VFEET-4-12	ANGLE-4	MRK/VMRK/VRK 31" depth racks
RIB-5-MRK-31	5	VFEET-5-12	ANGLE-5	MRK/VMRK/VRK 31" depth racks
RIB-1-MRK-36	1	VFEET-1-12	ANGLE-1-36	MRK/VRK 36" depth racks
RIB-2-MRK-36	2	VFEET-2-12	ANGLE-2-36	MRK/VRK 36" depth racks
RIB-3-MRK-36	3	VFEET-3-12	ANGLE-3-36	MRK/VRK 36" depth racks
RIB-4-MRK-36	4	VFEET-4-12	ANGLE-4-36	MRK/VRK 36" depth racks
RIB-5-MRK-36	5	VFEET-5-12	ANGLE-5-36	MRK/VRK 36" depth racks
RIB-1-MRK-42	1	VFEET-1-12	ANGLE-1-42	MRK/VRK 42" depth racks
RIB-2-MRK-42	2	VFEET-2-12	ANGLE-2-42	MRK/VRK 42" depth racks
RIB-3-MRK-42	3	VFEET-3-12	ANGLE-3-42	MRK/VRK 42" depth racks
RIB-1-DRK-31	1	VFEET-1-12	DANGLE-1-31	DRK 31" depth racks
RIB-2-DRK-31	2	VFEET-2-12	DANGLE-2-31	DRK 31" depth racks
RIB-3-DRK-31	3	VFEET-3-12	DANGLE-3-31	DRK 31" depth racks
RIB-1-DRK-36	1	VFEET-1-12	DANGLE-1-3642	DRK 36" depth racks
RIB-2-DRK-36	2	VFEET-2-12	DANGLE-2-3642	DRK 36" depth racks
RIB-3-DRK-36	3	VFEET-3-12	DANGLE-3-3642	DRK 36" depth racks
RIB-1-DRK-42	1	VFEET-1-12	DANGLE-1-3642	DRK 42" depth racks
RIB-2-DRK-42	2	VFEET-2-12	DANGLE-2-3642	DRK 42" depth racks
RIB-3-DRK-42	3	VFEET-3-12	DANGLE-3-3642	DRK 42" depth racks

BGR and EGR options are shown on rack series pgs.

