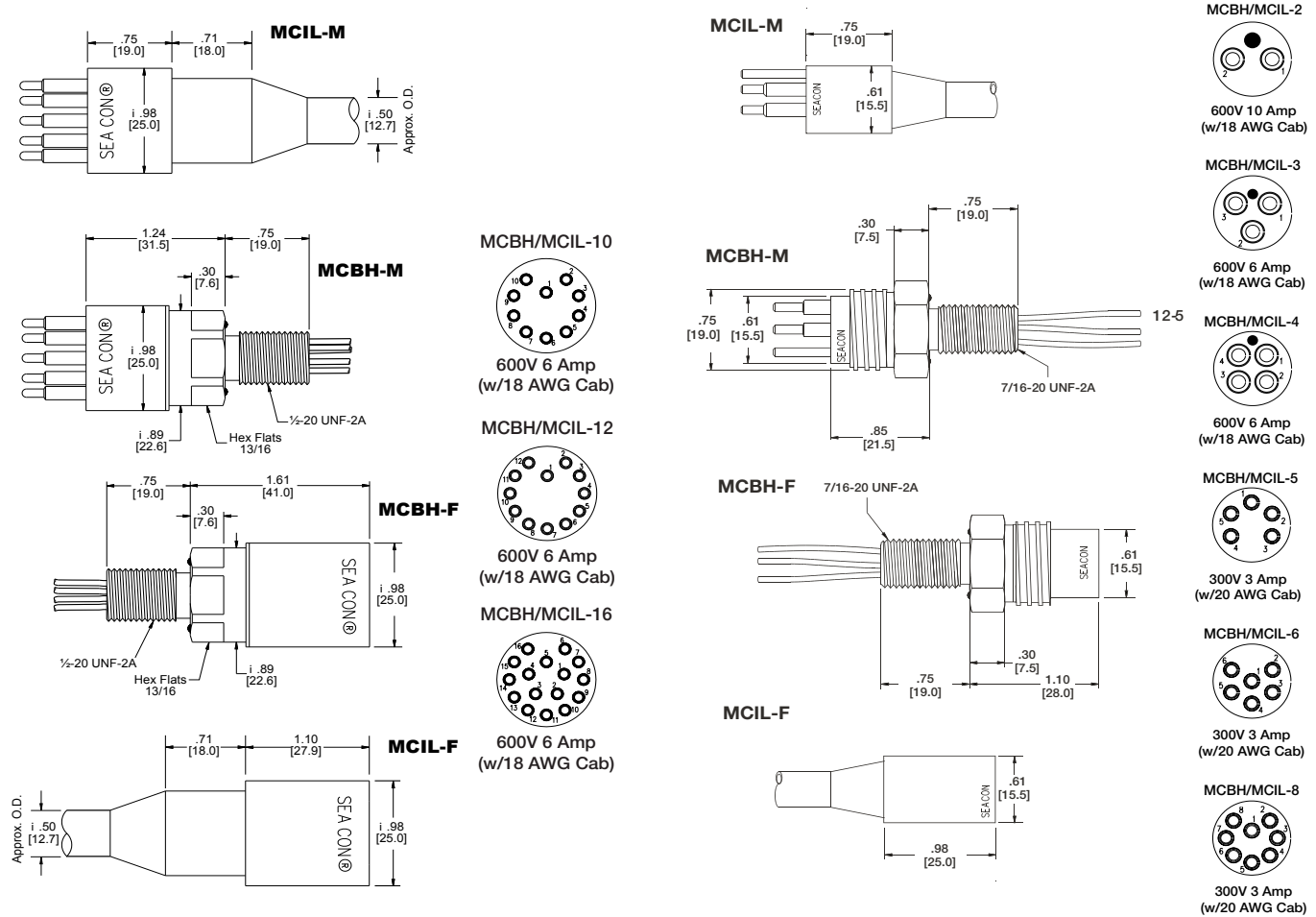


## Micro Wet Con (MWC)

SEE BELOW

The SEA CON® Micro Wet Con has become an industry standard for use with ROV's, underwater lights and cameras, pan and tilt units, and oceanographic sensors. The key difference between Micro Wet Cons and Marsh Marine style connectors is that they are wet mateable. This small, yet robust connector was developed to provide all the features of the All Wet series, in a miniature, industry standard configuration.

The new small size offers the same flexibility and reliability as the other rubber molded connectors, in a lightweight and user-friendly model. The Micro WET CON series allows for smaller through ports in a pressure vessel and a greater density of conductors in a compact area. The smaller connectors decrease the overall weight and drag of an ROV or other vessel. This connector is wet-mateable therefore enabling connections to be made underwater, on-deck or in any weather condition.



MICRO WET-CON (10 TO 16 CONTACTS)

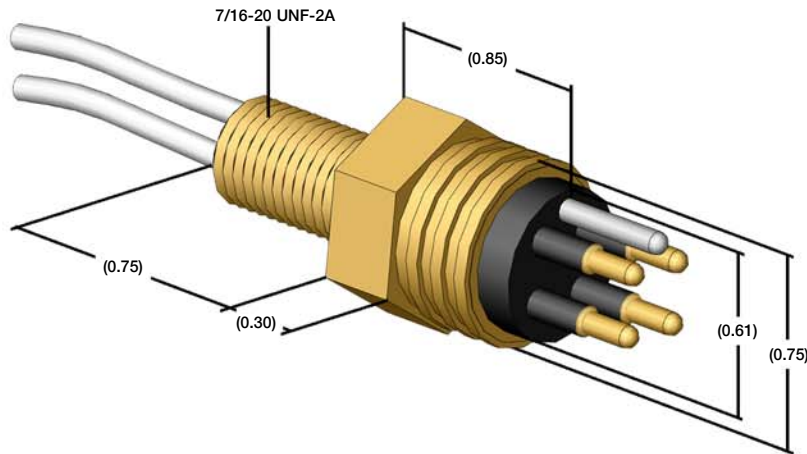
MICRO WET-CON (2 TO 8 CONTACTS)

Ordering Information										
In-Line Connector		Cable			Locking Sleeves		Bulkhead Connectors		Dummy Plugs	
Female Socket	Male Pin	Cable 24 in. (AWG)	Volts	Amps	Female	Male	Female Socket	Male Pin	Female	Male
MCIL2F	MCIL2M	18	300	10	MCDLS-F	MCDLS-M	MCBH2F	MCBH2M	MCDC2F	MCDC2M
MCIL3F	MCIL3M	18	300	6	MCDLS-F	MCDLS-M	MCBH3F	MCBH3M	MCDC3F	MCDC3M
MCIL4F	MCIL4M	18	300	6	MCDLS-F	MCDLS-M	MCBH4F	MCBH4M	MCDC4F	MCDC4M
MCIL5F	MCIL5M	20	300	3	MCDLS-F	MCDLS-M	MCBH5F	MCBH5M	MCDC5F	MCDC5M
MCIL6F	MCIL6M	20	300	3	MCDLS-F	MCDLS-M	MCBH6F	MCBH6M	MCDC6F	MCDC6M
MCIL8F	MCIL8M	20	300	3	MCDLS-F	MCDLS-M	MCBH8F	MCBH8M	MCDC8F	MCDC8M
MCIL10F	MCIL10M	20	300	2	DLSAF	DLSAM	MCBH10F	MCBH10M	MCDC10F	MCDC10M
MCIL12F	MCIL12M	20	300	2	DLSAF	DLSAM	MCBH12F	MCBH12M	MCDC12F	MCDC12M
MCIL16F	MCIL16M	20	300	2	DLSAF	DLSAM	MCBH16F	MCBH16M	MCDC16F	MCDC16M

Depth Rating (Mated): 10,000 PSI (approx. 20,000 ft./7,000 m)  
For Stainless Steel simply add SS to the end of the part number.

Domestic U.S.: 1.877.462.6700  
International: 1.760.208.6500

# DIMENSION DETAILS



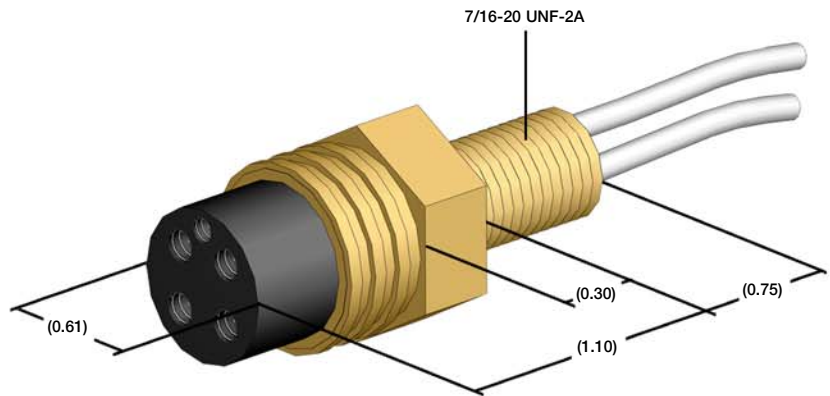
**Micro WET-CON SERIES  
MCBH-M**  
Micro WET-CON Bulkhead Connector  
(2 to 8 contacts)  
Mates with MCIL-F  
Dummy Connector: MCDC-F

**NOTES:**

- Bulkhead Locking Sleeve: Optional.
- Nut and washer: Optional.
- O-Ring: 2-014.
- Dummy Connector: Optional.
- Dummy Shorting Plug Connector: Optional.
- Connectors must be lubricated prior to mating.
- Torque values referenced in this literature assume installation into dry metal threads. For other applications, please contact SEA CON® for recommendations.
- Connectors are designed for installation on one atmosphere vessels. Contact SEA CON® for recommendations if using compensated vessels.

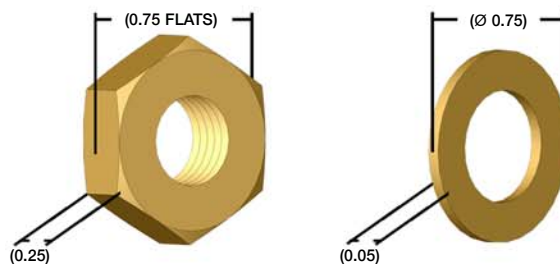
**Micro WET-CON SERIES  
MCBH-F**

Micro WET-CON Bulkhead Connector  
(2 to 8 contacts)  
Mates with MCIL-M  
Dummy Connector: MCDC-M

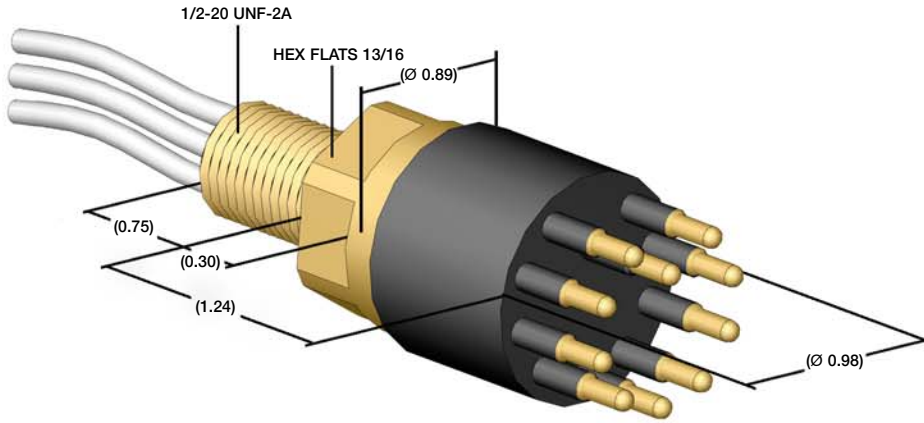


**Micro WET-CON SERIES  
HEX NUT AND WASHER**

Micro WET-CON Bulkhead Connector  
(2 to 8 contacts)



# DIMENSION DETAILS



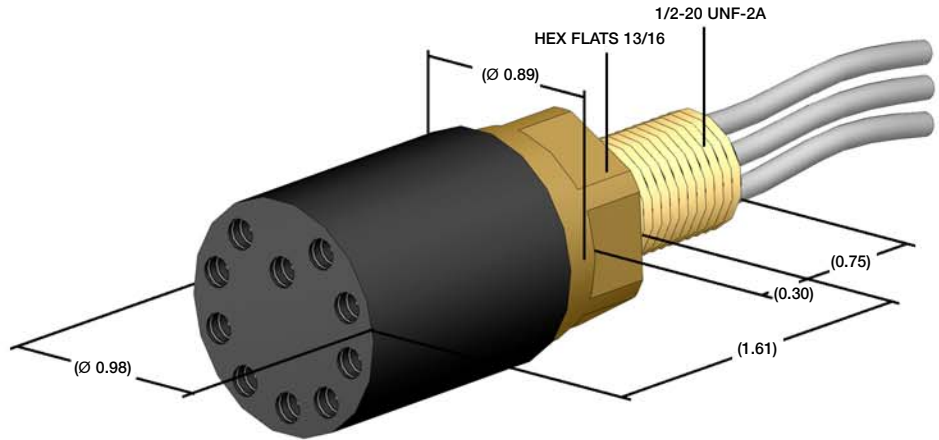
**Micro WET-CON SERIES  
MCBH-M**  
Micro WET-CON Bulkhead Connector  
(10 to 16 contacts)  
Mates with MCIL-F  
Dummy Connector: MCDC-F

**NOTES:**

- Bulkhead Locking Sleeve: Optional.
- Nut and washer: Optional.
- O-Ring: 2-015.
- Dummy Connector: Optional.
- Dummy Shorting Plug Connector: Optional.
- Connectors must be lubricated prior to mating.
- Torque values referenced in this literature assume installation into dry metal threads. For other applications, please contact SEA CON® for recommendations.
- Connectors are designed for installation on one atmosphere vessels. Contact SEA CON® for recommendations if using compensated vessels.

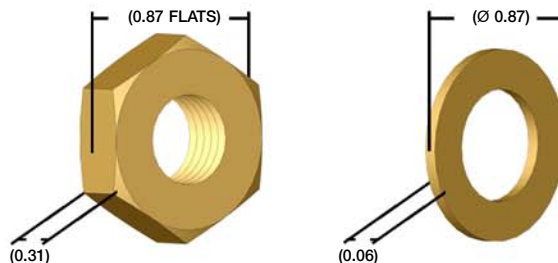
**Micro WET-CON SERIES  
MCBH-F**

Micro WET-CON Bulkhead Connector  
(10 to 16 contacts)  
Mates with MCIL-M  
Dummy Connector: MCDC-M



**Micro WET-CON SERIES  
HEX NUT AND WASHER**

Micro WET-CON Bulkhead Connector  
(10 to 16 contacts)



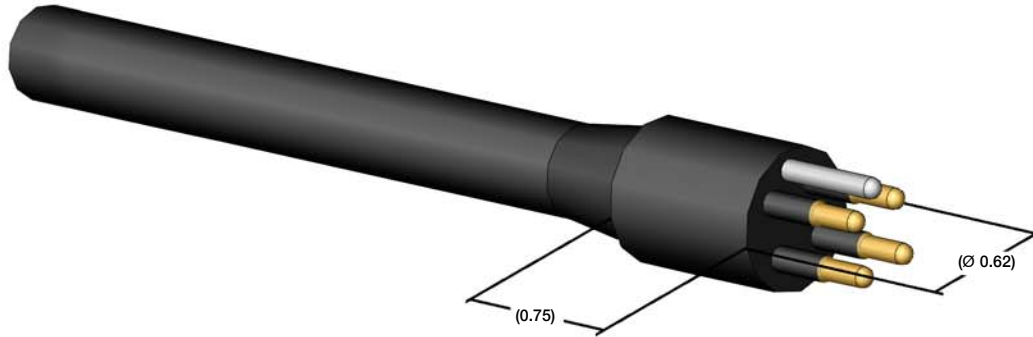
# DIMENSION DETAILS

---

## Micro WET-CON SERIES MCIL-M

Micro WET-CON In-Line Connector  
(2 to 8 contacts)

Mates with MCIL-F & MCBH-F  
Dummy Connector: MCDC-F



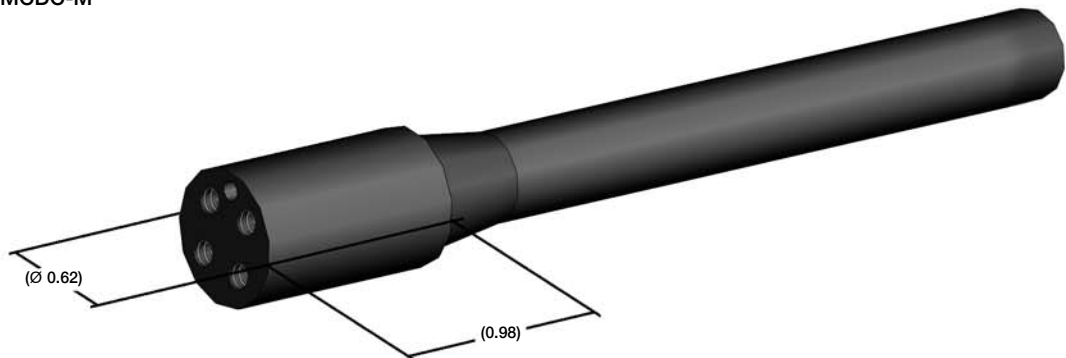
### NOTES:

- Locking Sleeve: Optional (see page MWC 12).
- Dummy Connector: Optional.
- Dummy Shorting Plug Connector: Optional. (Shorting plugs are available should you require the ability of looping together 'like' circuits for testing purposes within the dummy. Pin to pin shorting details need to be supplied at time of order placement).
- Connectors must be lubricated prior to mating.

## Micro WET-CON SERIES MCIL-F

Micro WET-CON In-Line Connector  
(2 to 8 contacts)

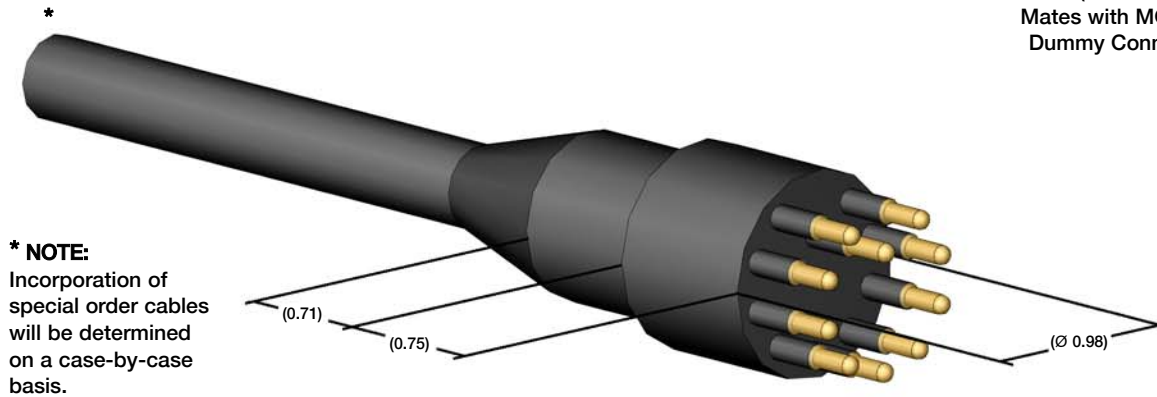
Mates with MCIL-M & MCBH-M  
Dummy Connector: MCDC-M



# DIMENSION DETAILS

## Micro WET-CON SERIES MCIL-M

Micro WET-CON In-Line Connector  
(10 to 16 contacts)  
Mates with MCIL-F & MCBH-F  
Dummy Connector: MCDC-F

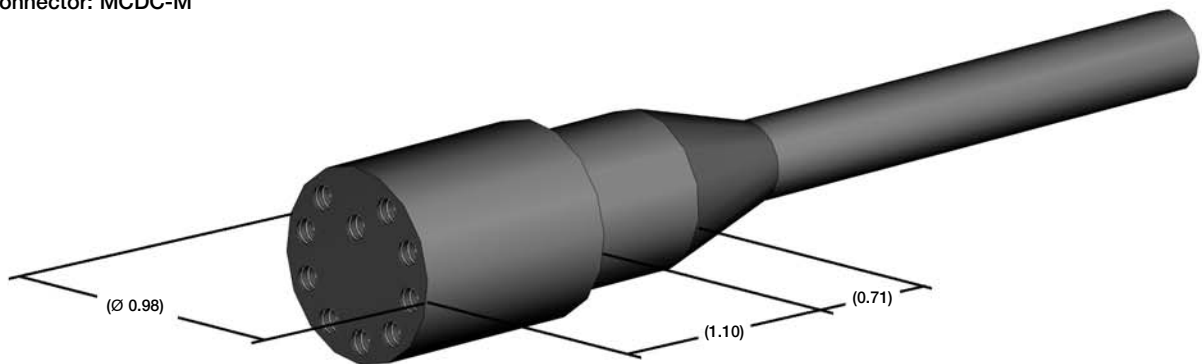


### NOTES:

- Locking Sleeve: Optional (see page MWC 12).
- Dummy Connector: Optional.
- Dummy Shorting Plug Connector: Optional.
- Connectors must be lubricated prior to mating.

## Micro WET-CON SERIES MCIL-F

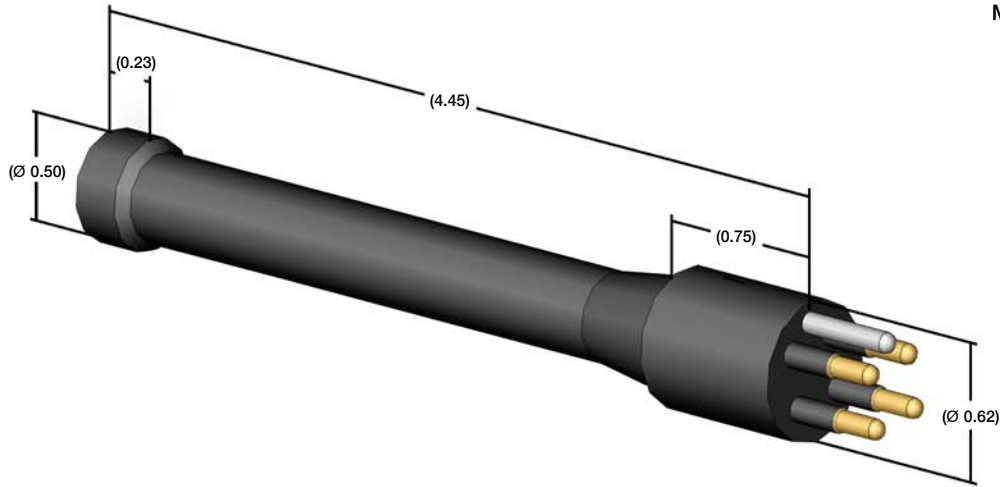
Micro WET-CON In-Line Connector  
(10 to 16 contacts)  
Mates with MCIL-M & MCBH-M  
Dummy Connector: MCDC-M



# DIMENSION DETAILS

## Micro WET-CON SERIES MCDC-M

Micro WET-CON Dummy Connector  
(2 to 8 contacts)  
Mates with MCIL-F & MCBH-F

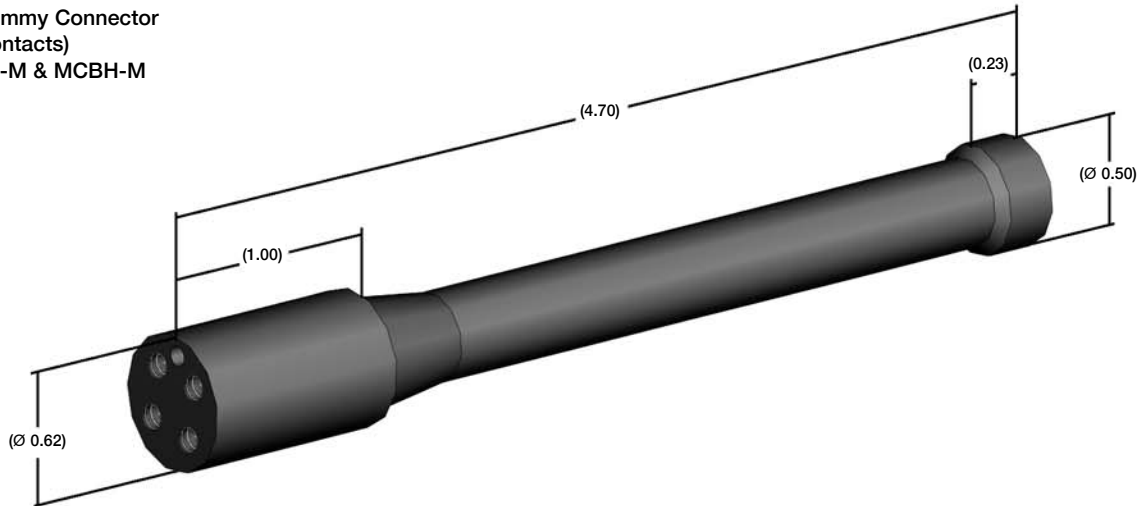


### NOTES:

- Locking Sleeve: Optional (see page MWC 12).
- Dummy Shorting Plug Connector: Optional. (Shorting plugs are available should you require the ability of looping together 'like' circuits for testing purposes within the dummy. Pin to pin shorting details need to be supplied at time of order placement).
- Connectors must be lubricated prior to mating.

## Micro WET-CON SERIES MCDC-F

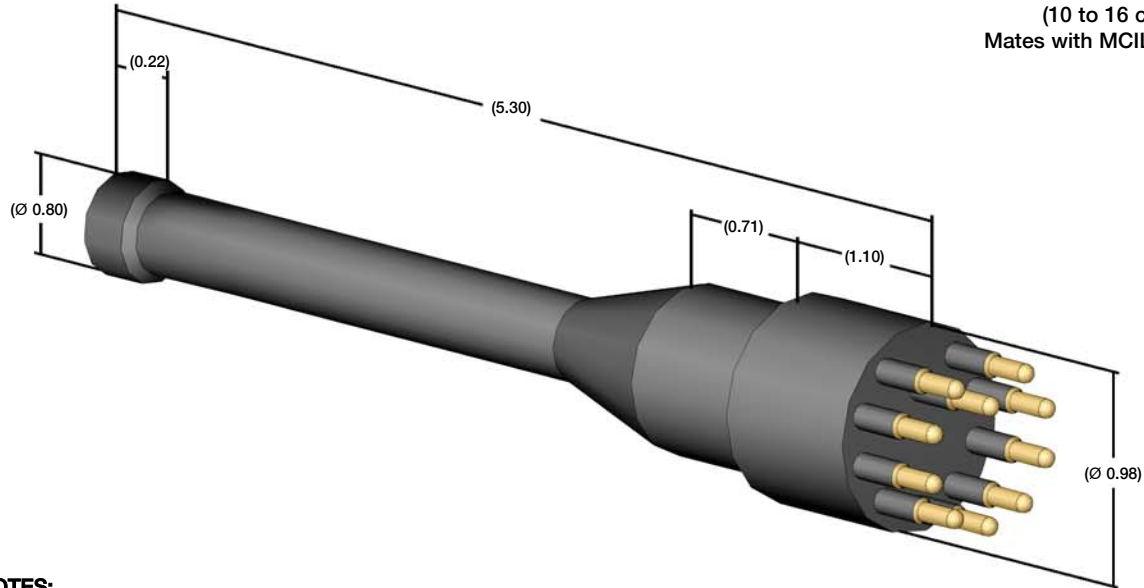
Micro WET-CON Dummy Connector  
(2 to 8 contacts)  
Mates with MCIL-M & MCBH-M



# DIMENSION DETAILS

## Micro WET-CON SERIES MCDC-M

Micro WET-CON Dummy Connector  
(10 to 16 contacts)  
Mates with MCIL-F & MCBH-F

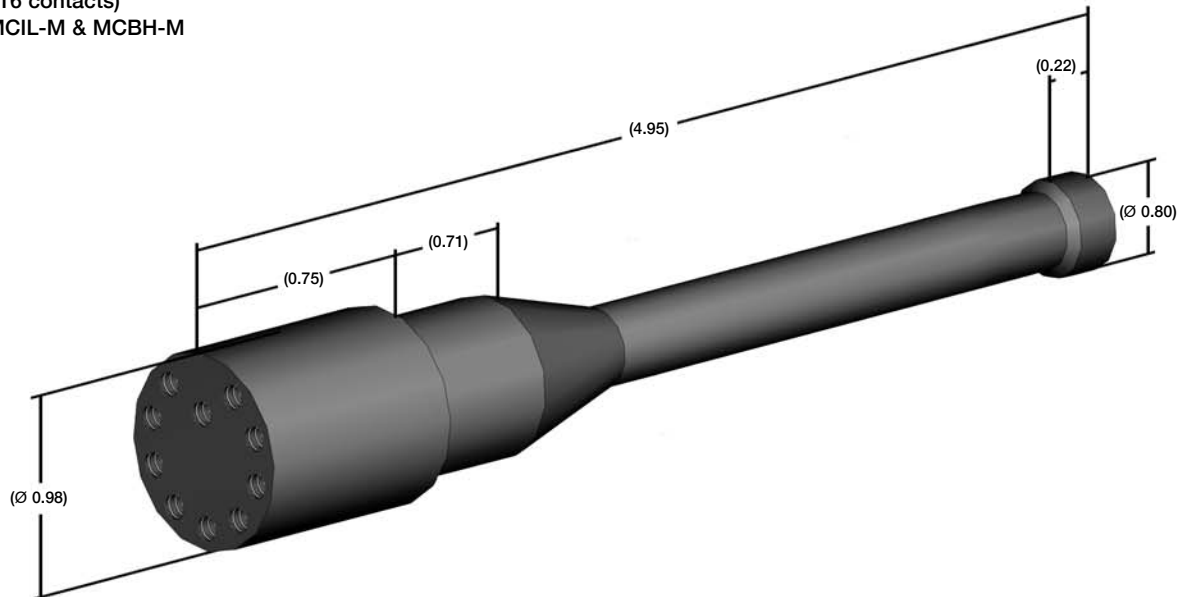


### NOTES:

- Locking Sleeve: Optional (see page MWC 12).
- Dummy Shorting Plug Connector: Optional.
- Connectors must be lubricated prior to mating.

## Micro WET-CON SERIES MCDC-F

Micro WET-CON Dummy Connector  
(10 to 16 contacts)  
Mates with MCIL-M & MCBH-M

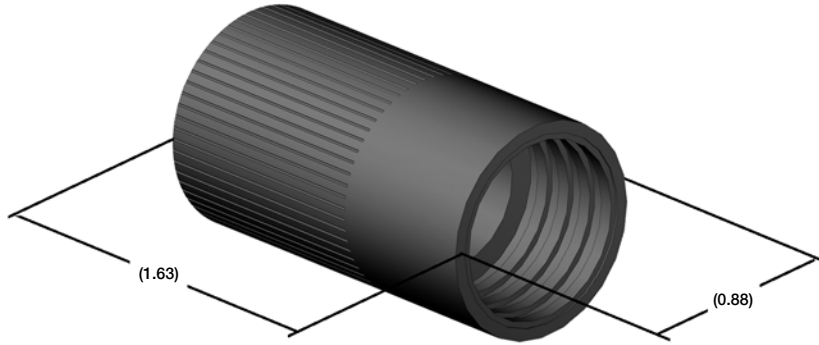


# OPTIONAL PARTS

---

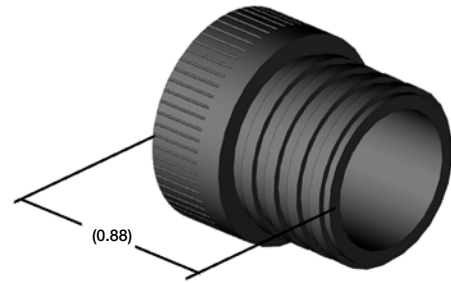
## Micro WET-CON SERIES MCDLS-F

Micro WET-CON Locking Sleeve  
(2 to 8 contacts)



## Micro WET-CON SERIES MCDLS-M

Micro WET-CON Locking Sleeve  
(2 to 8 contacts)

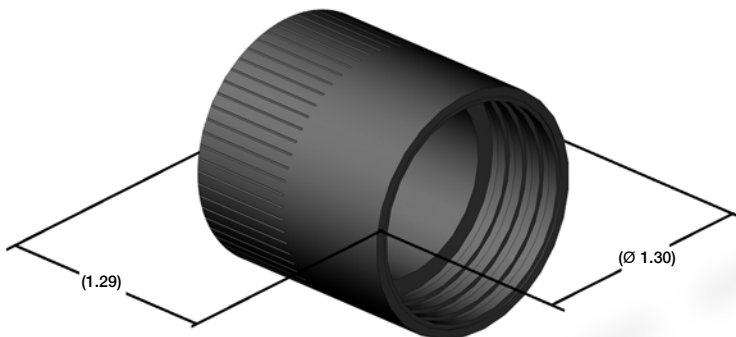


### NOTES:

- Locking Sleeves: Delrin® (DuPont trademark for Acetal Resin).

## Micro WET-CON SERIES DLSA-10/12/16-F

Micro WET-CON Locking Sleeve  
(10 to 16 contacts)



## Micro WET-CON SERIES DLSA-10/12/16-M

Micro WET-CON Locking Sleeve  
(10 to 16 contacts)

