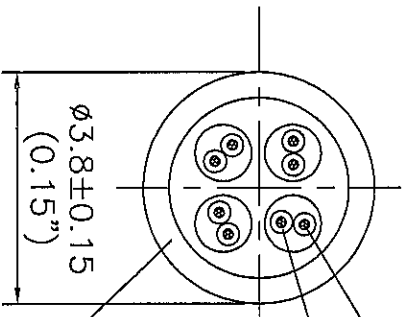
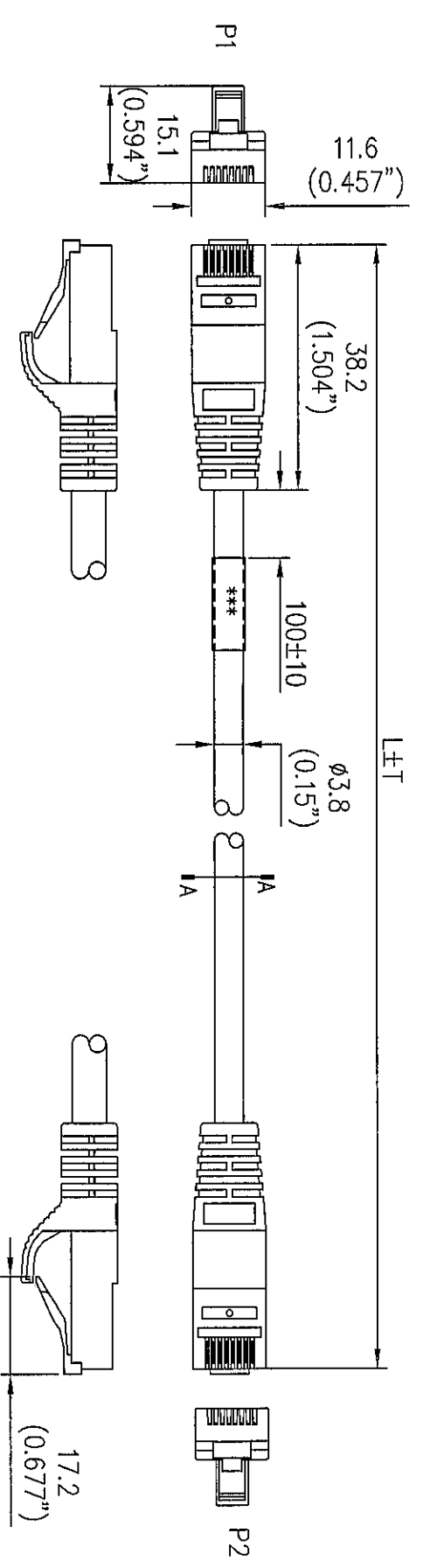


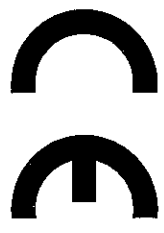
REV.	ECO. NO	DESCRIPTION	DATE
2	20140238	MOVE THE LENGTH LABEL OUT TO FOUR INCHES FROM THE CONNECTOR	2014.04.16



CONDUCTOR: 28AWG(7/0.127 BC),X4PR
 INSULATION: HP-PE ID: $\phi 0.60 \pm 0.05$
 TWIST PAIR: 1. ORANGE, WHITE/ORANGE
 2. BLUE, WHITE/BLUE
 3. GREEN, WHITE/GREEN
 4. BROWN, WHITE/BROWN
 JACKET: PVC(COLOR: SEE THE "P/N CHART")

SEC A-A
 SCALE: NTS

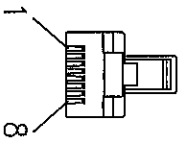
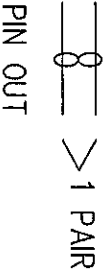
MANUFACTURED IN CHINA



DRAWING APPROVED		Michael Fenning	
SAMPLE APPROVED PER		DATE:	
DRAWING SPECIFICATIONS		PROPRIETARY & CONFIDENTIAL. THE INFORMATION CONTAINED IN THIS DRAWING IS THE SOLE PROPERTY OF C2G. ANY REPRODUCTION IN PART OR AS A WHOLE WITHOUT THE WRITTEN PERMISSION OF C2G IS PROHIBITED.	
ϕ	mm	TITLE	
	NONE	Oct 5e, 28AWG UTP Cable	
SHEET	1/5	CUS. NAME	C2G
DIMENSIONAL TOLERANCES UNLESS OTHERWISE NOTED		CUS. P/N	SEE "P/N CHART"
XX ±	-0.25(0.01)	ANGLES ±	
XXX ±	-0.10(0.004)	DRAW. NO.	P1307005
XXXX ±	-0.05(0.002)	CUS. REV	2
APPROVED		DATE	2014-04-16
GET CONNECTED		DATE	2014-04-16

- NOTE:
1. CAT.5E UTP CABLE: SEE SEC A-A.
 2. P1 & P2: RJ45 MALE: 8P8C, GOLD PLATED 50μ" CONTACTS, UL94V-0. HOOD: MOLDED PVC, COLOR SEE SHEET "3/5~4/5".
 3. LABEL (WHITE BACKGROUND WITH BLACK LETTERS, SEE "DETAIL B" & "P/N CHART") TO BE PASTED AROUND THE CABLE.
 4. PRODUCT IS CE MARKED AND CONFORMS TO 2011/65/EU ROHS 2.
 5. TESTING: 100% TEST FOR SHORT/OPEN: 10M OHM INSULATION RESISTANCE (300V DC), AND 100% COMPONENT/PATCH CORD TEST WITH FLUKE DTX 1800 OR EQUIVALENT.
 6. PACKING: EACH CABLE IN A POLYBAG. BAR CODE LABEL "WHITE BACKGROUND WITH BLACK LETTERS, SEE "DETAIL A"&"DETAIL A-1") TO BE PASTED ON POLYBAG & WATERPROOF PE BAG & CARTON.
 7. CABLE MARKING: PRINTING INCLUDE: "4PR/28AWG STRANDED UTP CAT 5E PATCH CABLE C(UL) US CM 75°C E*****" ALONG ITS LENGTH.
 8. THE CABLE MEETS ANS/TIA 568 C.2 AND ISO 11801 ELECTRICAL PERFORMANCE REQUIREMENTS.

P1	P2	
28AWG 1	1	WHITE/ORANGE
28AWG 2	2	ORANGE
28AWG 3	3	WHITE/GREEN
28AWG 6	6	GREEN
28AWG 5	5	WHITE/BLUE
28AWG 4	4	BLUE
28AWG 7	7	WHITE/BROWN
28AWG 8	8	BROWN



8P8C MALE FRONT VIEW

MANUFACTURED IN CHINA



BAR CODE LABEL-DETAIL A
 'XXXXX' = 5 DIGIT PART NUMBER
 '***' = LENGTH
 '****' = COLOR
 SEE P/N CHART

DRAWING APPROVED		DATE:	DATE:
SAMPLE APPROVED PER DRAWING SPECIFICATIONS		DATE:	
<small>PROPRIETARY & CONFIDENTIAL. THE INFORMATION CONTAINED IN THIS DRAWING IS THE SOLE PROPERTY OF C2G. ANY REPRODUCTION IN PART OR AS A WHOLE WITHOUT THE WRITTEN PERMISSION OF C2G IS PROHIBITED.</small>			
mm SCALE NONE SHEET 2/5	TITLE Cat 5e, 28AWG UTP Cable C2G	QUS. NAME SEE "P/N CHART"	QUS. P/N P1307005
DIMENSIONAL TOLERANCES UNLESS OTHERWISE NOTED X ± 0.25(0.01) XX ± 0.10(0.004) XXX ± 0.05(0.002)	ANGLES ±	DRAW NO.	DATE
REV. 2	QUS. REV.	APPROVED Secn	DATE 2014-04-16



DATE 2014-04-16

DATE 2014-04-16

DATE 2014-04-16

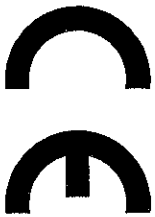
P/N CHART
BLUE (Pantone 2945C) PVC JACKET

P/N(XXXXX) &(XXXXXXXX)	L(***)	L(mm)	T(mm)	COLOR ****
01017	0.5FT	152	+10/-10	BLUE
01018	1FT	305	+25/-13	
01019	1.5FT	458	+25/-13	
01020	2FT	610	+25/-13	
01021	2.5FT	763	+25/-13	
01022	3FT	915	+25/-13	
01023	4FT	1220	+51/-25	
01024	5FT	1525	+51/-25	
01025	6FT	1830	+152/-51	
01026	7FT	2135	+152/-51	
01027	8FT	2440	+152/-51	
01028	9FT	2745	+152/-51	
01029	10FT	3050	+152/-51	
01030	11FT	3355	+152/-51	
01031	12FT	3660	+152/-51	
01032	13FT	3965	+152/-51	
01033	14FT	4270	+152/-51	
01034	15FT	4575	+152/-51	
4034775	16FT	4880	+152/-51	
4034776	18FT	5490	+305/-152	
4034777	20FT	6100	+305/-152	

GRAY (PantoneCool Gray 8C) PVC JACKET

P/N(XXXXX)	L(***)	L(mm)	T(mm)	COLOR ****
01035	0.5FT	152	+10/-10	GRAY
01036	1FT	305	+25/-13	
01037	1.5FT	458	+25/-13	
01038	2FT	610	+25/-13	
01039	2.5FT	763	+25/-13	
01040	3FT	915	+25/-13	
01041	4FT	1220	+51/-25	
01042	5FT	1525	+51/-25	
01043	6FT	1830	+152/-51	
01044	7FT	2135	+152/-51	
01045	8FT	2440	+152/-51	
01046	9FT	2745	+152/-51	
01047	10FT	3050	+152/-51	
01048	11FT	3355	+152/-51	
01049	12FT	3660	+152/-51	
01050	13FT	3965	+152/-51	
01051	14FT	4270	+152/-51	
01052	15FT	4575	+152/-51	

MANUFACTURED IN CHINA



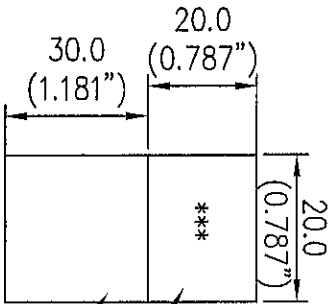
DRAWING APPROVED		DATE: _____	
SAMPLE APPROVED PER _____		DATE: _____	
DRAWING SPECIFICATIONS			
PROPRIETARY & CONFIDENTIAL. THE INFORMATION CONTAINED IN THIS DRAWING IS THE SOLE PROPERTY OF C2G. ANY REPRODUCTION IN PART OR AS A WHOLE WITHOUT THE WRITTEN PERMISSION OF C2G IS PROHIBITED.			
SCALE	3/5	TITLE	Cat 5e, 28AWG UTP Cable
SHEET	3/5	CUS. NAME	C2G
DIMENSIONAL TOLERANCES UNLESS OTHERWISE NOTED		CUS. P/N	
.XX ±		SEE "P/N CHART"	
.XX ±		DRAW NO.	
.XX ±		P1307005	
.XX ±		APPROVED	
.XX ±		Secdn	
.XX ±		DATE	
.XX ±		2014-04-16	



8 7 6 5 4 3 2 1

P/N CHART
BLACK (Pantone Black 6C) PVC JACKET

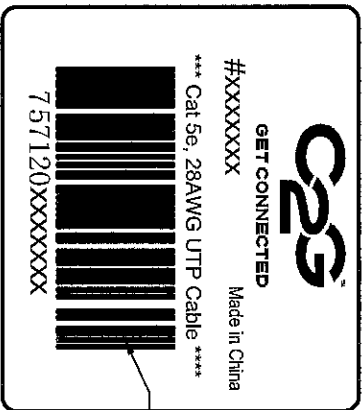
P/N(XXXXXX)	L(***)	L(mm)	T(mm)	COLOR
01053	0.5FT	152	+10/-10	BLACK
01054	1FT	305	+25/-13	
01055	1.5FT	458	+25/-13	
01056	2FT	610	+25/-13	
01057	2.5FT	763	+25/-13	
01058	3FT	915	+25/-13	
01059	4FT	1220	+51/-25	
01060	5FT	1525	+51/-25	
01061	6FT	1830	+152/-51	
01062	7FT	2135	+152/-51	
01063	8FT	2440	+152/-51	
01064	9FT	2745	+152/-51	
01065	10FT	3050	+152/-51	
01066	11FT	3355	+152/-51	
01067	12FT	3660	+152/-51	
01068	13FT	3965	+152/-51	
01069	14FT	4270	+152/-51	
01070	15FT	4575	+152/-51	



CLEAR LABEL-DETAIL B
"***" SEE "P/N CHART"

WHITE BACKGROUND
WITH BLACK LETTERS

CLEAR PE



CODE 128

BAR CODE LABEL-DETAIL A-1
'XXXXXXX' = 7 DIGIT PART NUMBER
'***' = LENGTH
'****' = COLOR
SEE P/N CHART

DRAWING APPROVED

DATE:

SAMPLE APPROVED PER

DATE:

DRAWING SPECIFICATIONS
PROPRIETARY & CONFIDENTIAL. THE INFORMATION CONTAINED IN THIS DRAWING IS THE SOLE PROPERTY OF C2G.
ANY REPRODUCTION IN PART OR AS A WHOLE WITHOUT THE WRITTEN PERMISSION OF C2G IS PROHIBITED.

UNLESS OTHERWISE NOTED	UNLESS OTHERWISE NOTED
DIMENSIONAL TOLERANCES	DIMENSIONAL TOLERANCES
ANGLES ±	ANGLES ±
±0.050(0.002)	±0.100(0.004)
±0.25(0.02)	±0.25(0.02)
±0.050(0.002)	±0.050(0.002)
±0.050(0.002)	±0.050(0.002)

MANUFACTURED IN CHINA
C2G

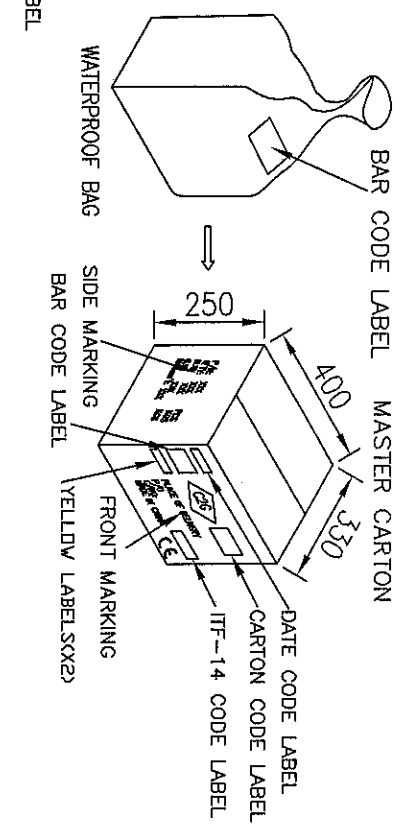
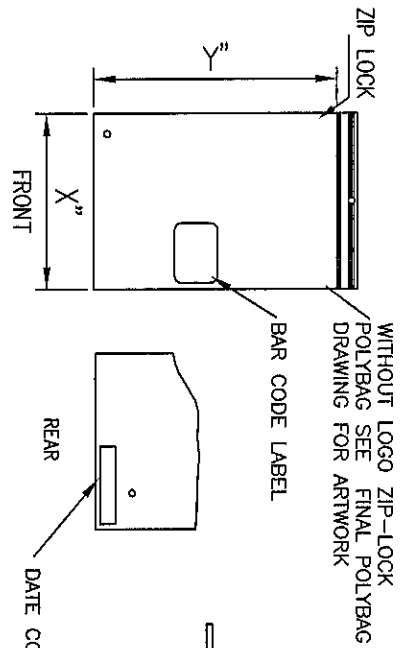
0
 S

TITLE	Cat 5e, 28AWG UTP Cable	CUS. P/N	SEE "P/N CHART"
SCALE	NONE	CUS. NAME	C2G
SHEET	4/5	DRAW NO.	P1307005
REV. 2	REV	APPROVED	Seon 2014-04-16



DATE: 2014-04-16

DATE: 2014-04-16



"YY" = YEAR, 11=2011, 10=2010, ...
 "*A*" = MONTH, A=JAN, B=FEB, C=MAR, ...

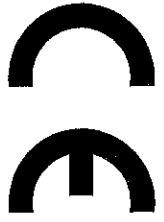
DATE CODE LABEL

CARTON MARKINGS

SIDE MARKING	FRONT MARKING
P/N Q'TY: N.W./ G.W./ MEASMT	PCS KGS KGS PLACE OF DELIVERY P/D C/ND MADE IN CHINA

152	4	5.5	9000647
305	4	5.5	9000647
458	4	5.5	9000647
610	6	10	9000649
763	6	10	9000649
915	6	10	9000649
1220	6	10	9000649
1525	6	10	9000649
1830	6	10	9000649
2135	6	10	9000649
2440	6	10	9000649
2745	6	10	9000649
3050	6	10	9000649
3355	6	10	9000649
3660	6	10	9000649
3965	6	10	9000649
4270	8	12.5	9000650
4575	8	12.5	9000650
4880	8	12.5	9000650
5490	8	12.5	9000650
6100	8	12.5	9000650

MANUFACTURED IN CHINA



<input type="checkbox"/>	0
<input checked="" type="checkbox"/>	S

DRAWING APPROVED

SAMPLE APPROVED PER _____ DATE: _____

DRAWING SPECIFICATIONS

PROPRIETARY & CONFIDENTIAL. THE INFORMATION CONTAINED IN THIS DRAWING IS THE SOLE PROPERTY OF C2G. ANY REPRODUCTION IN PART OR AS A WHOLE WITHOUT THE WRITTEN PERMISSION OF C2G IS PROHIBITED.

DATE: _____

TITLE	Cot 5g, 28AWG UTP Cable
SCALE	NONE
SHEET	5/5
QUS. NAME	C2G
QUS. P/N	SEE "P/N CHART"
DRAW NO.	P1307005

DATE: 2014-04-16

DATE: 2014-04-16

DATE: 2014-04-16



8 7 6 5 4 3 2 1