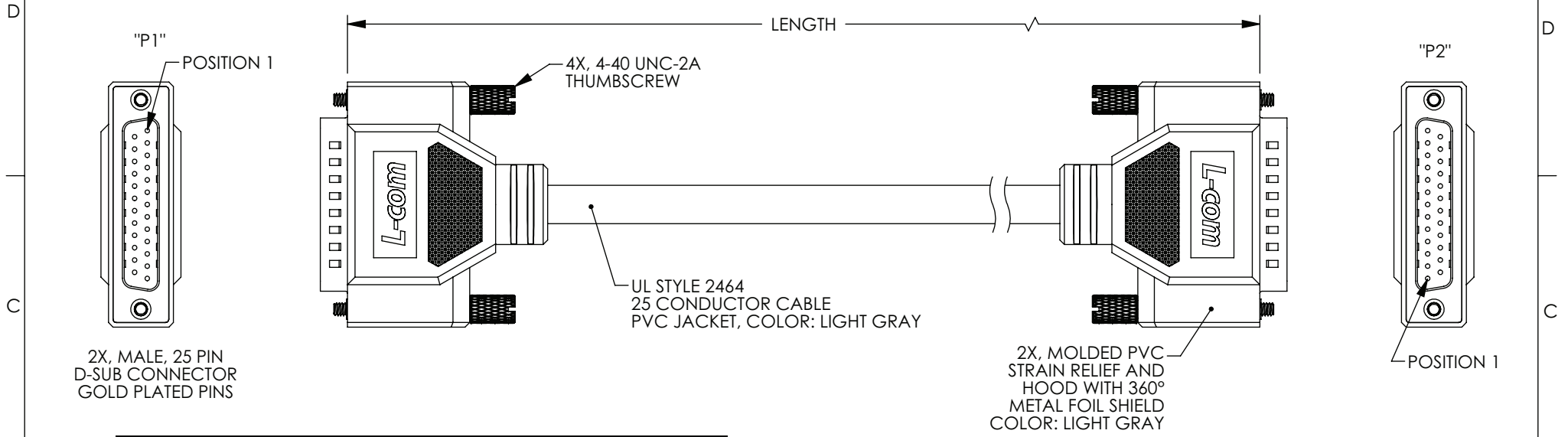


8 7 6 5 4 3 2 1

THE INFORMATION CONTAINED IN THIS DRAWING IS THE SOLE PROPERTY OF L-COM, INC. ANY REPRODUCTION IN PART OR WHOLE WITHOUT THE WRITTEN PERMISSION OF L-COM, INC. IS PROHIBITED.

REVISIONS			
REV	DESCRIPTION	DATE	APPROVED
G	ECN 3779: DEFINED COLOR TO LIGHT GRAY, NEW FORMAT	1/8/09	D.FRISIELLO
H	ECN 4474: ADDED 1.0 FT. LENGTH, UPDATED FORMAT, ADDED NOTES	1/7/10	D. CASTRO



WIRINGMAP					
"P1"	WIRE COLOR	"P2"	"P1"	WIRE COLOR	"P2"
1	BLACK	1	14	BROWN / WHITE	14
2	BROWN	2	15	RED / WHITE	15
3	RED	3	16	ORANGE / WHITE	16
4	ORANGE	4	17	GREEN / WHITE	17
5	YELLOW	5	18	BLUE / WHITE	18
6	GREEN	6	19	PURPLE / WHITE	19
7	BLUE	7	20	RED / BLACK	20
8	PURPLE	8	21	ORANGE / BLACK	21
9	GRAY	9	22	YELLOW / BLACK	22
10	WHITE	10	23	GREEN / BLACK	23
11	PINK	11	24	GRAY / BLACK	24
12	LIGHT GREEN	12	25	PINK / BLACK	25
13	BLACK / WHITE	13	SHELL	DRAIN WIRE	SHELL

PART NUMBER	LENGTH	
	FEET	METERS
CSMN25MM-1	1	0.31
CSMN25MM-2.5	2.5	0.76
CSMN25MM-5	5	1.52
CSMN25MM-10	10	3.05
CSMN25MM-15	15	4.57
CSMN25MM-25	25	7.62
CSMN25MM-50	50	15.24
CSMN25MM-125	125	38.1

- NOTES:**
1. CABLE ASSEMBLY SHALL BE TESTED FOR CONTINUITY.
 2. CABLE ASSEMBLY SHALL BE INDIVIDUALLY PACKAGED IN ACCORDANCE WITH L-COM PACKAGING SPEC. PS-0031.

RoHS Compliant ✓

UNLESS OTHERWISE SPECIFIED, DIMENSIONS ARE IN INCHES [mm] OVERALL CABLE LENGTH TOLERANCE: ≤12 [305] = +1 [25] / -0 >12 [305] ≤60 [1524] = +2 [51] / -0 >60 [1524] ≤120 [3048] = +4 [102] / -0 >120 [3048] ≤300 [7620] = +6 [152] / -0 >300 [7620] = +3% / -0%	APPROVALS	DATE		45 BEECHWOOD DRIVE NORTH ANDOVER, MA 01845
	DRAWN BY TJC	4/30/01		
ALL OTHER DIMENSIONAL TOLERANCES: .X = ±.2 .XX = ±.02 .XXX = ±.005	CHECKED BY DFP	7/18/01	DATA CABLING	
PROJECTION 	APPROVED BY CM	7/19/01		
	CONFIGURATION DETAILS OF UNDIMENSIONED FEATURES MAY VARY		DELUXE MOLDED CABLE, DB25M TO DB25M	
	COLOR VARIATIONS MAY OCCUR	SIZE A	FSCM NO. 43321	DWG. NO. CSMN25MM
	CSMN-FS01	SCALE: NONE	CAD FILE: CSMN25MM.SLDDRW	REV. H
				SHEET 1 OF 1