

# Rackshelves - 4-Point Adjustable Depth

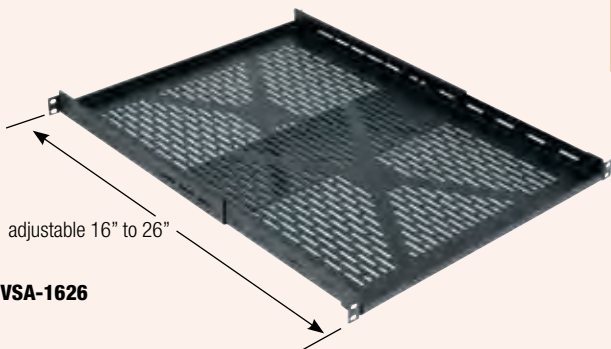
Rackshelves - 4-Point Adjustable Depth

 EIA/TIA Compliant

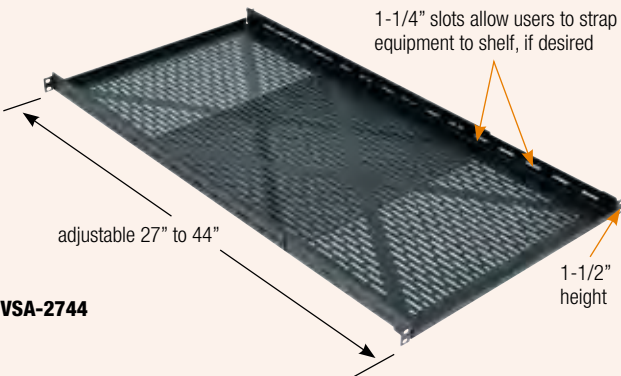
Spec. #  
96-01080  
for full  
product  
info.

## Telescoping Full Depth Heavy Duty 4-Point Rackshelf

The most versatile, heavy duty shelf available! Unlike standard adjustable shelves, the entire VSA shelf telescopes to reach rear rail, providing a range of useable depths from 16" to 44". Providing the greatest useable depth in its class and featuring a 400 lb. weight capacity, the heavy-duty VSA is ideal for even the deepest components. Constructed of hemmed 16-gauge steel and finished in a durable black powder coat, the VSA is **fully vented** for superior cooling and features many tie points for enhanced cable management.



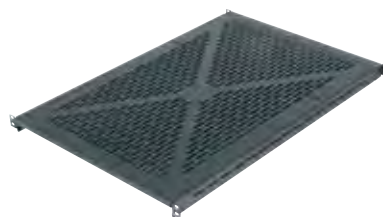
VSA-1626



VSA-2744

Part #	Racking Height	Overall Depth	Weight Capacity
VSA-1626	1-1/2" (<1 rackspace)	17.25"w x 16" (min.) to 26" (max) d	400 lbs.
VSA-2744	1-1/2" (<1 rackspace)	17.25"w x 27" (min.) to 44" (max) d	400 lbs.

**Easy to mount design requires less open rackspace to install other than 4-point shelves**

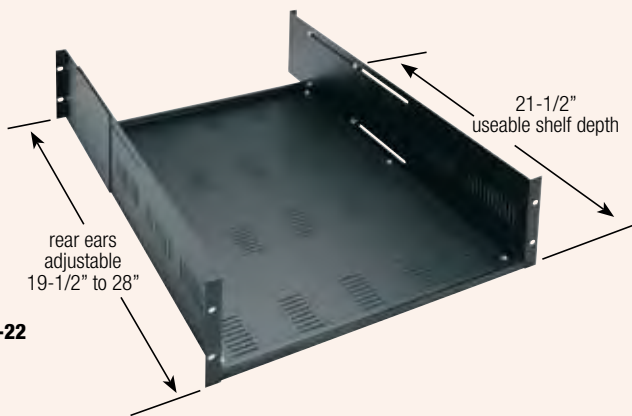


**HOT TIP!** Increase useable width from 17-3/16" to the useable width of the enclosure by inverting the VSA shelf!

EIA/TIA Compliant 

## Adjustable 4 Point Rackshelf

With a front to rear mounting adjustment range from 19-1/2" to 28" deep, the versatile AS3-22 shelf is vented and rackmounts most video decks and tower CPUs. Built expressly for heavy equipment, ships ready-to-assemble with included hardware and supports 300 lbs. NOTE: Fits in racks with a minimum 19-1/2" from front to rear rail.



AS3-22

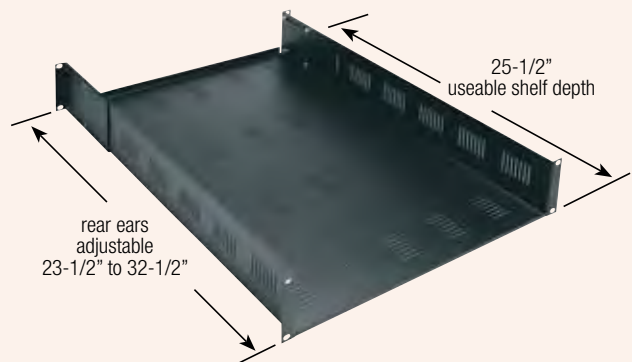
Part #	Racking Height	Shelf Area	Weight Capacity
AS3-22	5-1/4" (3 rackspace)	17-3/8"w x 21-1/2"d	300 lbs.



EIA/TIA Compliant 

## Adjustable Deep Rackshelf

The VDS shelf is a partially vented mounting solution for most deep equipment. This shelf has a front to rear mounting adjustment range from 23-1/2" to 32". NOTE: Fits in racks with a minimum 23-1/2" from front to rear rail.



VDS

Part #	Racking Height	Shelf Area	Weight Capacity
VDS	3-1/2" (2 rackspace)	17-3/8"w x 25-1/2"d	100 lbs.

