

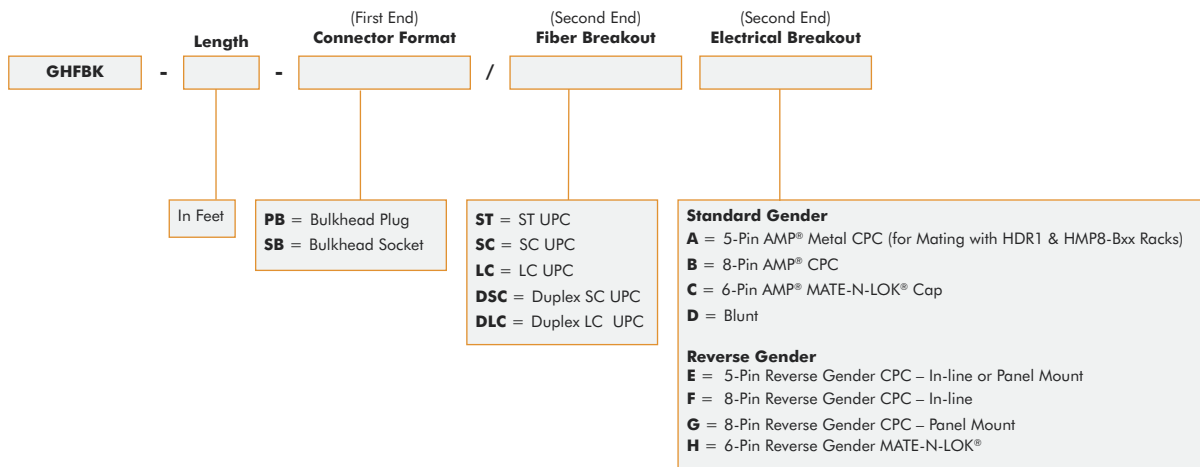
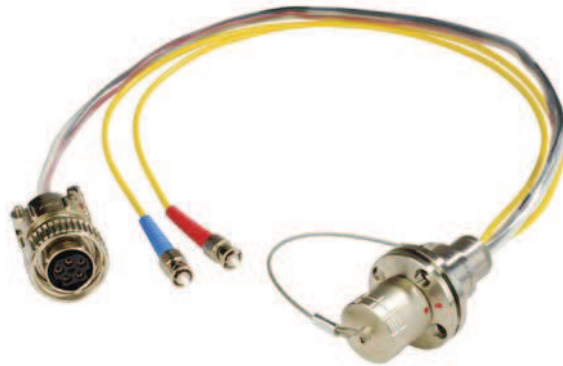
Hybrid Fiber Breakout: Internal Distribution

Hybrid Fiber internal distribution cables do not use conventional hybrid 311M cables and are intended for internal equipment or panel wiring only. The SMPTE 304M end uses OEM style, non-cable-mount hybrid connectors and is terminated to insulated copper wire and individual, simplex breakout fibers. The component breakout end has ST, SC, or LC optical connectors, while the copper elements feature AMP® or blunt ends.

As with all Gepco GHF cables, the breakout series is machine polished to meet or exceed all SMPTE 304M/311M standards.

FEATURES & BENEFITS

- ST/SC/LC Optical Breakout
- AMP® Electrical Breakout
- Machine Polished to -55dB RL (Typical)
- Uses Short Length Fiber and Electrical Elements
- For Panel Mounting in Blank Panels or as a Replacement in Hybrid Devices



Hybrid Fiber Connector Options



Fiber Breakout Connector Options



Electrical Breakout Connector Options



Standard Gender

Reverse Gender

MATE-N-LOK® is a registered trademark of Whitaker Corporation. AMP® is a registered trademark of Whitaker Corporation.