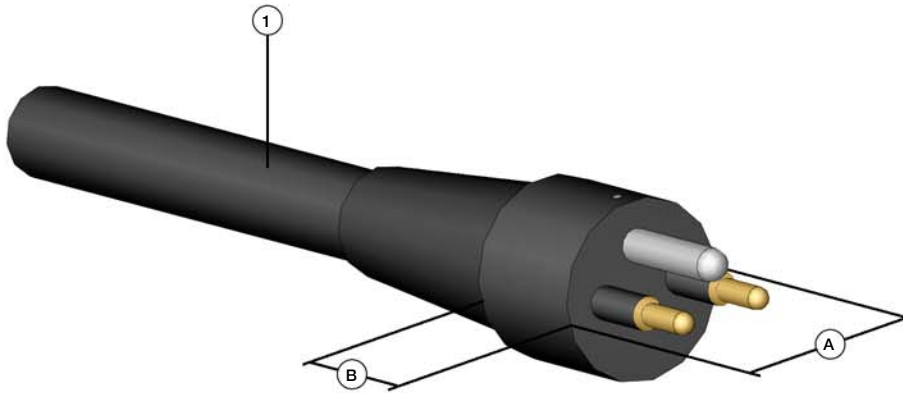


DIMENSION DETAILS

ALL-WET SERIES AW-MP

ALL-WET Round In-Line Connector
Mates with AW-FS and AW-S-BC
Dummy Connector: AW-FSD



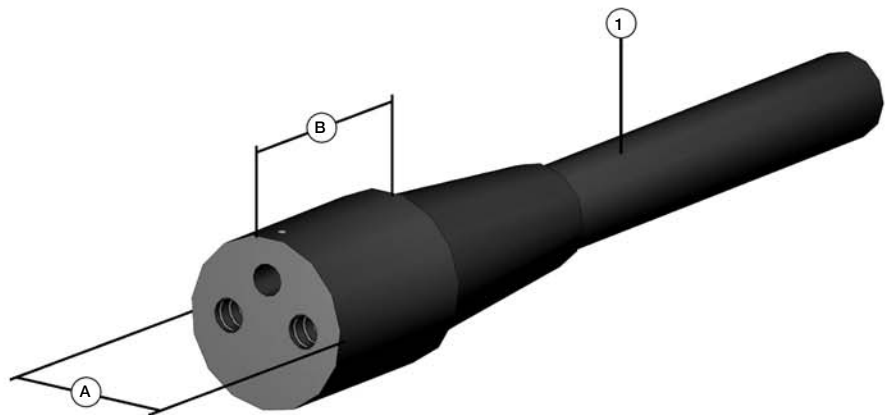
CONNECTOR	A - DIAMETER (INCHES)	B - (INCHES)	1 - STANDARD CABLE	MAXIMUM CABLE O.D.
AWL-MP	1.00	0.78	18 AWG SO	1/2 (0.500)
AWM-MP	1.25	0.78	18 AWG SO	7/8 (0.875)
AWO-MP	1.60	0.78	18 AWG SO	1 1/4 (1.250)

NOTES:

- Locking Sleeve: Optional (see page 15).
- Dummy Connector: Optional.
- Dummy Shorting Plug Connector: Optional.
- Connectors must be lubricated prior to mating.

ALL-WET SERIES AW-FS

ALL-WET Round In-Line Connector
Mates with AW-MP and AW-P-BC
Dummy Connector: AW-MPD



CONNECTOR	A - DIAMETER (INCHES)	B - (INCHES)	1 - STANDARD CABLE	MAXIMUM CABLE O.D.
AWL-FS	1.00	1.16	18 AWG SO	1/2 (0.500)
AWM-FS	1.25	1.16	18 AWG SO	7/8 (0.875)
AWO-FS	1.60	1.16	18 AWG SO	1 1/4 (1.250)