

# Fan Options



**Middle Atlantic Products**

EXCEPTIONAL SUPPORT & PROTECTION™

## Control temperature within an enclosure with fan options and accessories

### FAN



- 115V fan rated at 95 CFM
- 39 dBA (measurements made 1 meter from source, centered horizontally and vertically)
- Smooth, long life ball-bearing design
- UL Recognized in the US and Canada
- Used in:
  - KO-AWFP2, selectively vented rear door knockout fan panel and HDR-FAN (See A&E Spec # 96-975)
  - DLBX (A&E Spec # 96-01008) DVR lockbox and VLBX (A&E Spec # 96-942) VTR lockbox
  - MW-4FT-380 CFM and ERK-4FT-285CFM fan tops



FAN

### QFAN



- 115V fan rated at 50 CFM
- <30 dBA (measurements made 1 meter from source, centered horizontally and vertically)
- Quiet fan includes fan guard with black powder coat finish
- Smooth, long life ball-bearing design
- UL Recognized in the US and Canada
- Used in:
  - QFP-1 (one fan) and QFP-2 (two fans) black anodized fan panels; QTFP-1 and QTFP-2 black textured powder coat fan panels
  - MW-4QFT-FC\* (four fans) and ERK-4QFT-FC (three fans) integrated fan tops with thermostatic fan control
  - SCQ Series\* monitoring consoles (A&E Spec # 96-989) and SCQRK Series\* enclosures (A&E Spec # 96-995)
  - Edit Center multimedia studio furniture (See Master Catalog)

\* SCQ Series, SCQRK Series and integrated fan tops are UL Listed in the US and Canada



QFAN

### FAN-6



- 115V fan rated at 220 CFM
- 49 dBA (measurements made 1 meter from source, centered horizontally and vertically)
- Smooth, long life ball-bearing design
- UL Recognized in the US and Canada
- Used in:
  - MW-6FT-660CFM and ERK-6FT-440CFM fan tops



FAN-6

**CUSTOMIZABLE SPECIFICATION CLIPS AVAILABLE AT MIDDLEATLANTIC.COM**

## FAN-10



- 115V fan rated at 550 CFM
  - 49 dBA (measurements made 1 meter from source, centered horizontally and vertically)
  - Smooth, long life ball-bearing design
  - UL Recognized in the US and Canada
  - Used in:
    - MW-10FT-FC\* and ERK-10FT-FC\* integrated fan tops with thermostatic fan control
    - MW-10FT-550CFM and ERK10FT-550CFM fan tops
- \* Integrated fan tops are UL Listed in the US and Canada



FAN10

## BMF-FAN10



- 115V fan rated at 825 CFM
- 60 dBA (measurements made 1 meter from source, centered horizontally and vertically)
- Maximum cooling for enclosures with high heat density
- Smooth, long life ball-bearing design
- UL Recognized in the US and Canada



BMF-FAN10

## AXS-FAN



- 115V fan rated at 57 CFM
- 30 dBA (measurements made 1 meter from source, centered horizontally and vertically)
- Slim design fits AXS Series rack
- Smooth, long life ball-bearing design
- UL Recognized in the US and Canada
- AXS-FAN-K available, includes two fans (33 dBA, 114 CFM)



AXS-FAN

## UQFP Series Ultra Quiet Fan Panel



- Overtemp and fan failure notification via contact closure
- 100 CFM in 4 fan units, 50 CFM in 2 fan units
- Minimal friction, long-lasting hydrowave-bearing design
- UL Listed power supply with 6' cord
- See Ultra Quiet Fan Panel A&E Spec # 96-01037
- Quiet operation, 27 dBA at full speed for 4 fan models, 24 dBA at full speed for 2 fan models
- Temperature display, LED indicators and designer-inspired aesthetic treatments available
- Fan speeds proportional to temperature of enclosure to extend fan life, reduce dust and maintenance

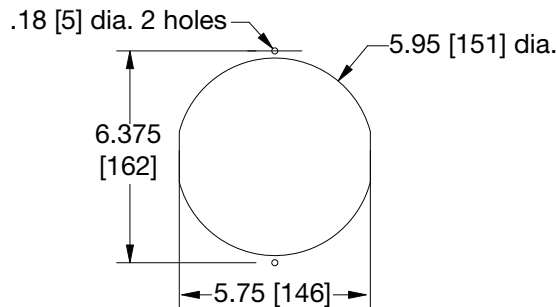


UQFP-4D

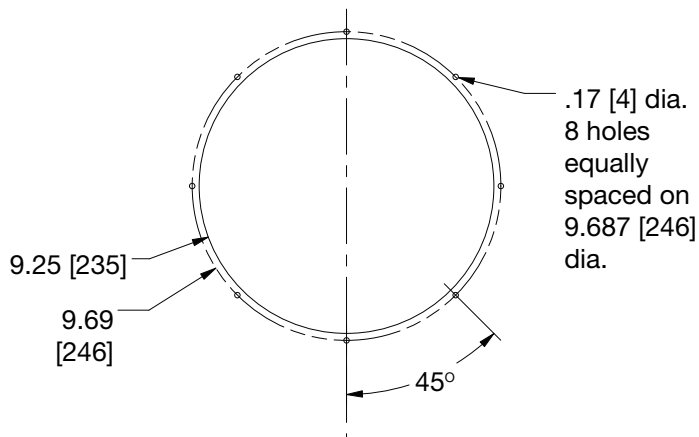
## Specifications for Fan Options

| MODEL #   | SIZE  | VOLTAGE (V) | CURRENT (mA) | SPEED (RPM) | NOISE (dBA) | STATIC PRESSURE (In H <sub>2</sub> O) | AIRFLOW (CFM) |
|-----------|---|-------------|--------------|-------------|-------------|---------------------------------------|---------------|
| QFAN      | 4.69" x 4.69" x 1.5" [119 x 119 x 38]         | 115         | 80           | 1450        | <30         | 0.07                                  | 50            |
| FAN       | 4.69" x 4.69" x 1.5" [119 x 119 x 38]         | 115         | 190          | 2750        | 39          | 0.26                                  | 95            |
| FAN-6     | 6.77" x 5.91" x 1.5" thk [172 x 150 x 38 thk] | 115         | 420          | 2900        | 49          | 0.6                                   | 220           |
| FAN-10    | 10" dia. x 3.5" thk [254 dia. x 89 thk]       | 115         | 500          | 1650        | 49          | 0.365                                 | 550           |
| AXS-FAN   | 4.69" x 4.69" x 1.0" [119 x 119 x 38]         | 115         | 90           | 2300        | 30          | 0.09                                  | 57            |
| BMF-FAN10 | 10" dia. x 4.25" thk [254 dia. x 108 thk]     | 115         | 1300         | 2400        | 60          | 0.405                                 | 825           |

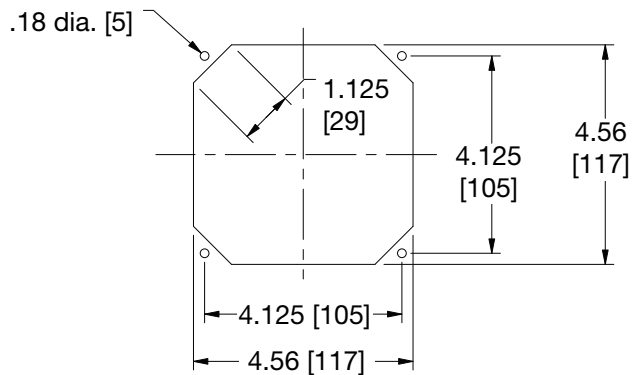
### Mounting hole dimensions for FAN-6



### Mounting hole dimensions for BMF-FAN10 and FAN-10



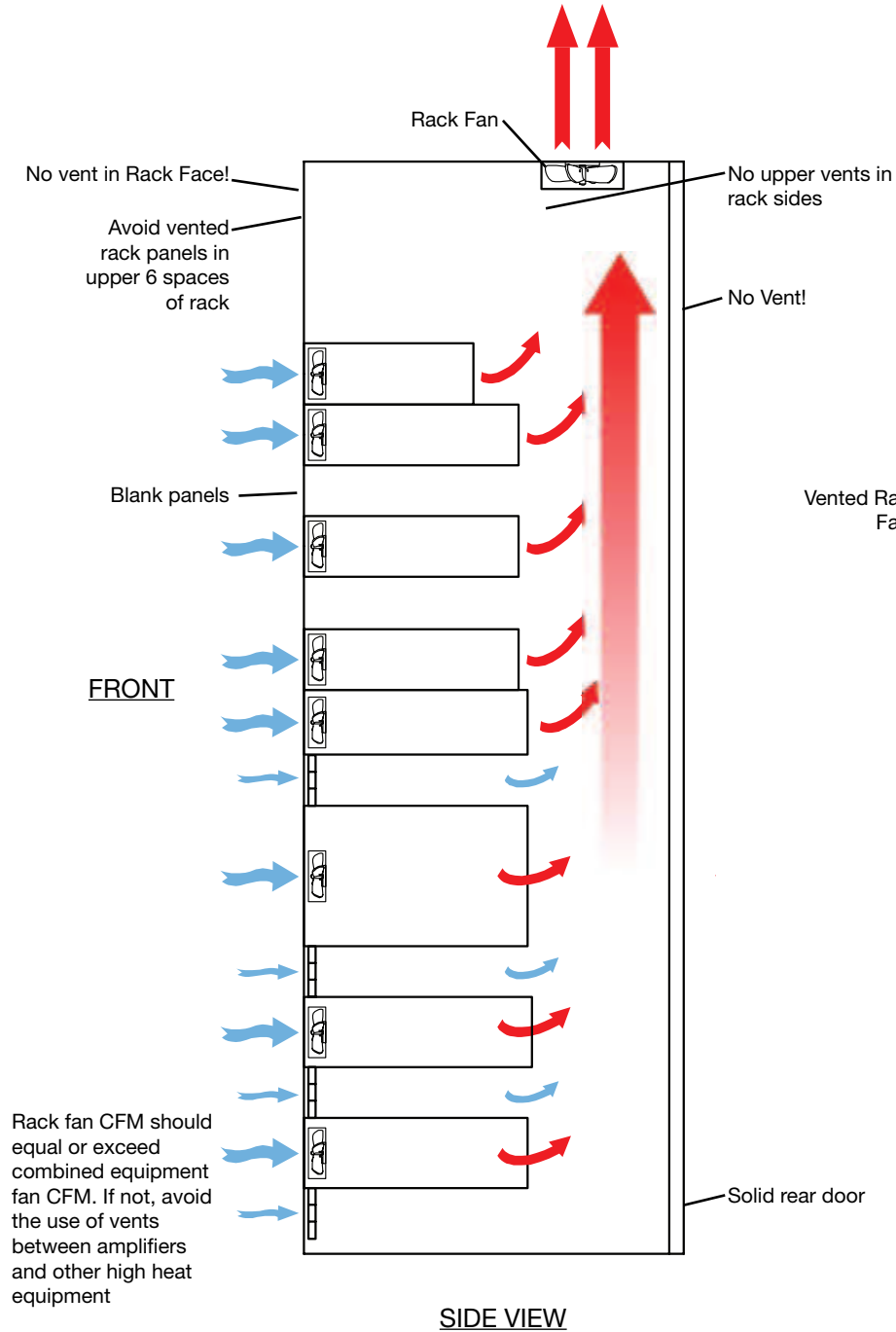
### Mounting hole dimensions for QFAN, FAN, AXS-FAN



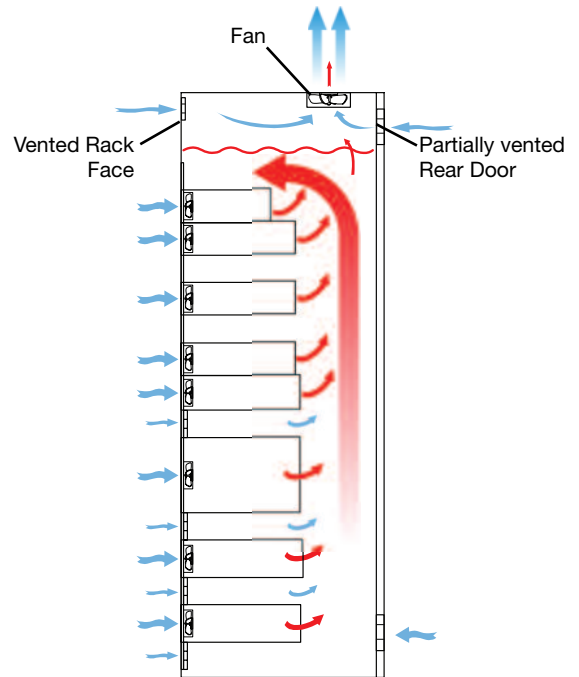
All dimensions in inches unless otherwise noted [Bracketed dimensions are in millimeters]

# Quick guide to proper thermal management

## PROPER Forced Air with front-intakes on equipment



## WRONG Forced Air with front-intakes on equipment



For more information, download the Thermal Management White Paper at [middleatlantic.com](http://middleatlantic.com)