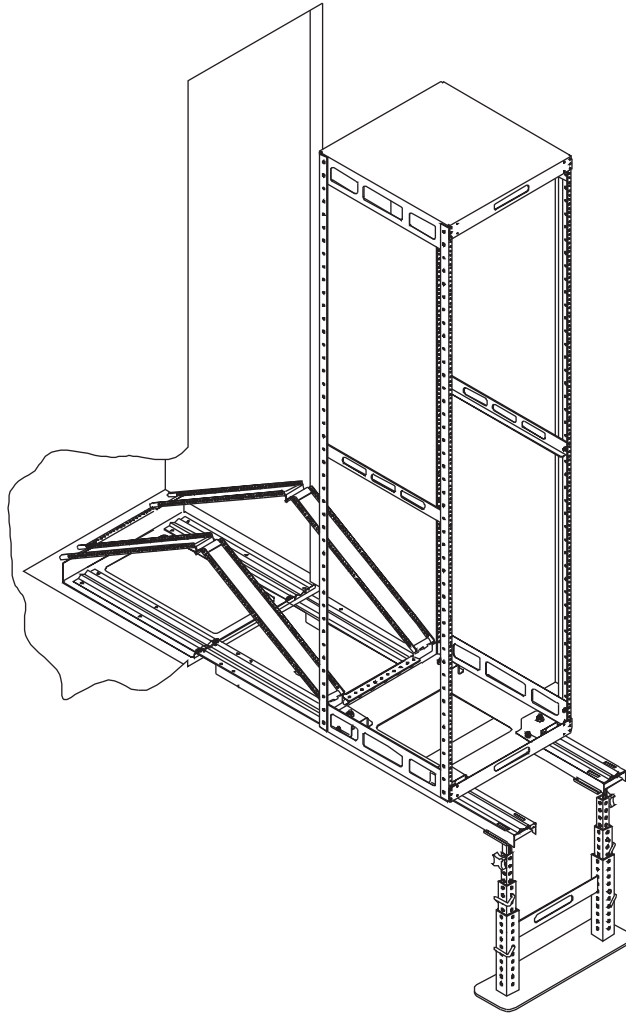


INSTRUCTION SHEET  
**AXS / AX-SX / SAX / SSAX**  
EQUIPMENT ACCESS SYSTEM



**THANK YOU**

Thank you for purchasing the Equipment Access System. Please read these instructions thoroughly before installing and assembling this product.

**PRODUCT FEATURES**

- Allows an entire bay of heavy equipment to pull out on removable service tracks.
- Detachable rack frame allows off-site equipment integration.
- Articulating cable carriers attach to rack frame for effective cable management.
- Rolling rack frame retracts into millwork.
- Usable rack frame heights from 10 spaces (17-1/2") to 43 spaces (75-1/4") for AX-SX & SSAX systems and 15 spaces (26-1/4") to 43 spaces (75-1/4") for AXS and SAX systems.
- Rack frame 26" deep for AXS-xx-26, 20" deep for AXS and AX-SX systems, 16" deep for SAX & SSAX systems.
- 650 lb. capacity with proper weight distribution.



# IMPORTANT SAFETY INSTRUCTIONS

- Read these instructions.
- Keep these instructions.
- Heed all warnings.
- Follow all instructions.
- Clean only with dry cloth.
- Only use attachments/accessories specified by the manufacturer.



**WARNING:** A WARNING ALERTS YOU TO A SITUATION THAT COULD RESULT IN SERIOUS PERSONAL INJURY OR DEATH.



**CAUTION:** A CAUTION ALERTS YOU TO A SITUATION THAT MAY RESULT IN MINOR PERSONAL INJURY OR DAMAGE TO THE PRODUCT AND / OR PROPERTY.

**NOTE:** A NOTE is used to highlight procedures pertaining to the installation, operation or maintenance of the product.

## IMPORTANT WARNINGS AND CAUTIONS!



**WARNING!** FAILURE TO READ, UNDERSTAND AND FOLLOW THE FOLLOWING INFORMATION CAN RESULT IN SERIOUS PERSONAL INJURY, DAMAGE TO THE EQUIPMENT OR VOIDING OF THE WARRANTY. IT IS THE RESPONSIBILITY OF THE INSTALLER/USER TO ENSURE THAT THIS PRODUCT IS LOADED ACCORDING TO SPECIFICATIONS.



**WARNING!** THE WEIGHT RATINGS OF THIS PRODUCT CAN BE FOUND ON THE PRODUCT. EXCEEDING THESE WEIGHT RATINGS CAN RESULT IN SERIOUS INJURY OR DAMAGE TO THE EQUIPMENT. IT IS THE RESPONSIBILITY OF THE INSTALLER/USER TO ENSURE ALL COMPONENTS INSTALLED DO NOT SURPASS THE WEIGHT RATINGS AS AN UNSTABLE CONDITION CAN OCCUR WHICH MAY CAUSE POSSIBLE INJURY OR DAMAGE.



**CAUTION!** IF THERE IS VISIBLE DAMAGE ON THE PRODUCT IT MUST NOT BE INSTALLED.



**CAUTION!** SAFETY MEASURES MUST BE PRACTICED AT ALL TIMES DURING THE ASSEMBLY OF THIS PRODUCT. USE PROPER SAFETY EQUIPMENT AND TOOLS FOR THE ASSEMBLY PROCEDURE TO PREVENT PERSONAL INJURY.



**CAUTION!** NOTE THAT DURING CONSTRUCTION OF THE CONSOLE, THERE MUST BE NO POSSIBILITY OF PERSONAL INJURY, FOR EXAMPLE THE SQUEEZING OF FINGERS OR ARMS.



**CAUTION!** FOR LOADING, ALWAYS PUT HEAVIER ITEMS AT THE BOTTOM OF THE BAYS, NOT NEAR THE TOP, IN ORDER TO HELP PREVENT THE POSSIBILITY OF THE FURNISHING TIPPING OVER.



**CAUTION!** THE APPLIANCE IS NOT INTENDED FOR USE BY YOUNG CHILDREN OR INFIRM PERSONS WITHOUT SUPERVISION.

## TABLE OF CONTENTS

Important Safety Instructions.....	3
Rough-In / Site Preparation.....	4
Millwork Specifications.....	4
Rough-In Pan Assembly.....	5
Millwork Specifications.....	6
Rough-In Pan Assembly.....	7
Rough-In Pan Assembly (Continued).....	8
Rack Assembly.....	9
Rack Assembly (Continued).....	10
Rack Assembly (Continued).....	11
Service Stand / Service Track Assembly.....	12
Rack and Cable Carrier Installation.....	13
Cable Management.....	14
Securing Rack Assembly In Millwork.....	14
Gasket Kit (Optional) Installation.....	15
Guide Kit (Optional) Installation.....	15
Warranty.....	16

## ROUGH-IN / SITE PREPARATION

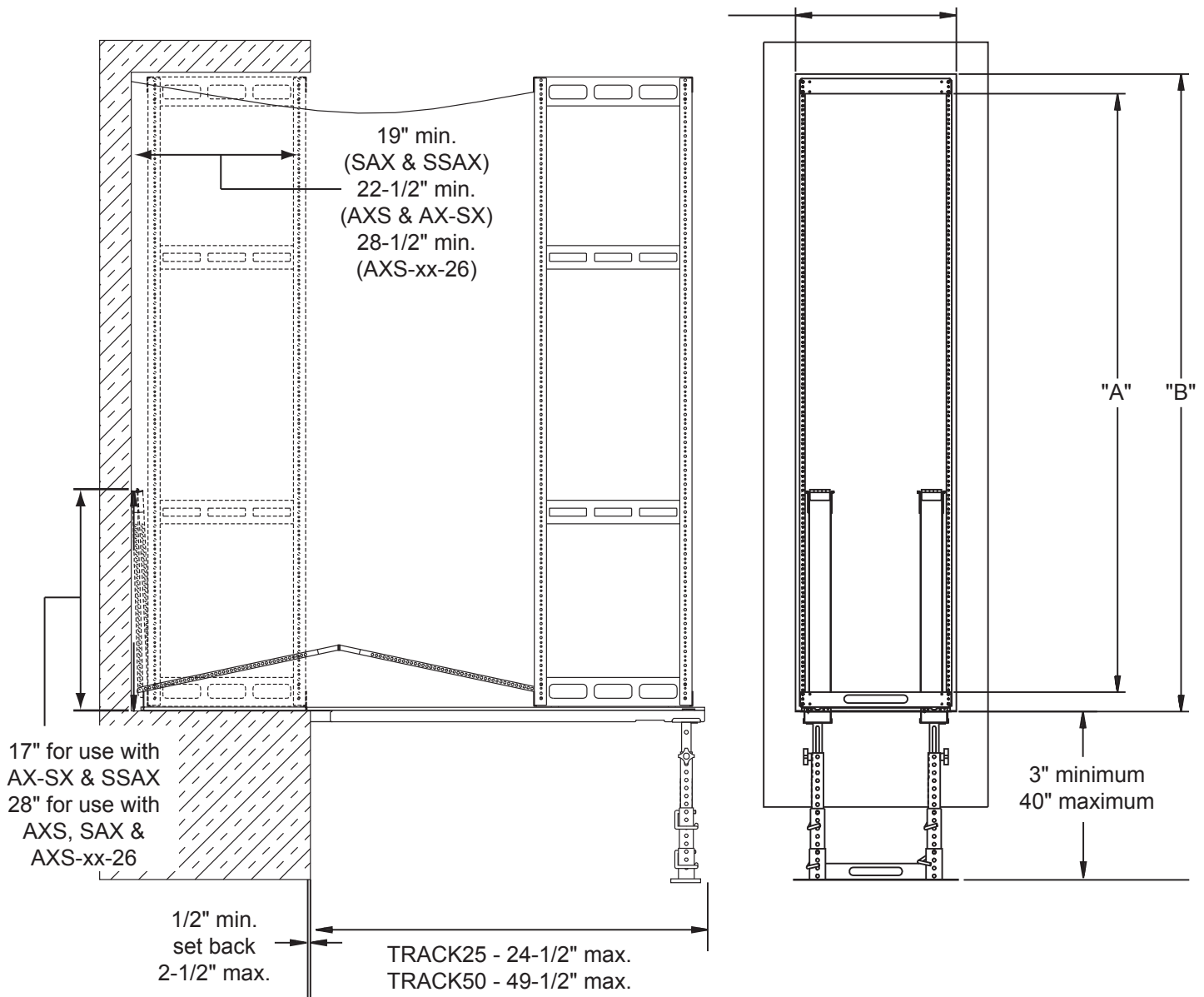
1) Rough-in millwork must be plumb, square and completed before beginning assembly. Minimum millwork mounting dimensions (without gasket and guide kit) are as follows:

MODEL	WIDTH	DEPTH
SAX / SSAX*	19-1/4"	22-1/2"
AXS / AX-SX*	19-1/4"	22-1/2"
AXS-xx-26*	19-1/4"	28-1/2"

\*Setback is 1/2" for all models

**NOTE:** When using optional gasket and guide kit, minimum rough millwork opening width is 19-5/8".

**DID YOU KNOW?**  
 Optional gasket (part # BG-17) fills gap between rack and millwork. Optional gasket and guide kit helps keep rack centered and protects millwork. Order part # AXS-GG16, AXS-GG20 or AXS-GG26 for 16", 20" or 26" depth racks, respectively.



**NOTE:** Total rack height including rough-in pan is the usable rack height ("A") plus 4-9/16."

# MILLWORK SPECIFICATIONS

	NUMBER OF USABLE RACK SPACE	"A" (INCHES) USABLE RACK HEIGHT	"B" (MIN. INCHES) ROUGH OPENING HEIGHT
AX-SX & SSAX ONLY	10	17-1/2	22-3/16
	11	19-1/4	23-15/16
	12	21	25-11/16
	13	22-3/4	27-7/16
	14	24-1/2	29-3/16
	15	26-1/4	30-15/16
	16	28	32-11/16
	17	29-3/4	34-7/16
	18	31-1/2	36-3/16
	19	33-1/4	37-15/16
AXS SAX AXS-XX-26 ONLY	20	35	39-11/16
	21	36-3/4	41-7/16
	22	38-1/2	43-3/16
	23	40-1/4	44-15/16
	24	42	46-11/16
	25	43-3/4	48-7/16
	26	45-1/2	50-3/16
	27	47-1/4	51-15/16
	28	49	53-11/16
	29	50-3/4	55-7/16
	30	52-1/2	57-3/16
	31	54-1/4	58-15/16
	32	56	60-11/16
	33	57-3/4	62-7/16
	34	59-1/2	64-3/16
	35	61-1/4	65-15/16
	36	63	67-11/16
	37	64-3/4	69-7/16
	38	66-1/2	71-3/16
	39	68-1/4	72-15/16
	40	70	74-11/16
	41	71-3/4	76-7/16
	42	73-1/2	78-3/16
	43	75-1/4	79-15/16

**NOTE:** The millwork must be constructed in such a manner as to provide a weight capacity greater than the total assembled weight.

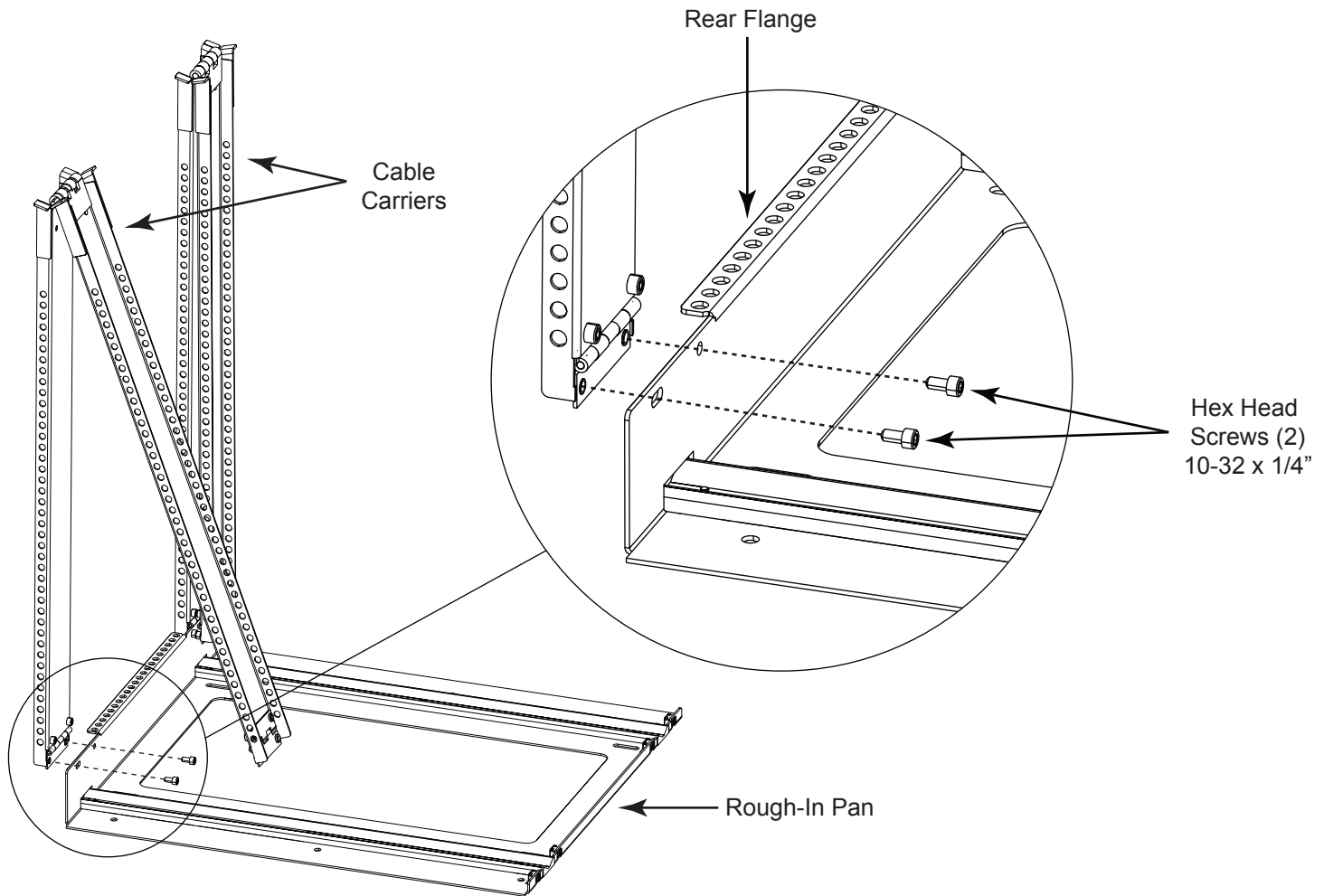
## ROUGH-IN PAN ASSEMBLY

- 1) Install both cable carriers to rear flange of rough-in pan using (2) 10-32 x 1/4 hex head screws per cable carrier. **(FIGURE A)**

**NOTE:** Installation hardware is provided with cable carrier kit.



**WARNING!** Cable Carriers are an integral part of this system and must be installed for the safe operation of this product to prevent the system from tipping and sliding off of tracks. Failure to install cable carriers can result in serious damage to equipment and/or risk of injury .



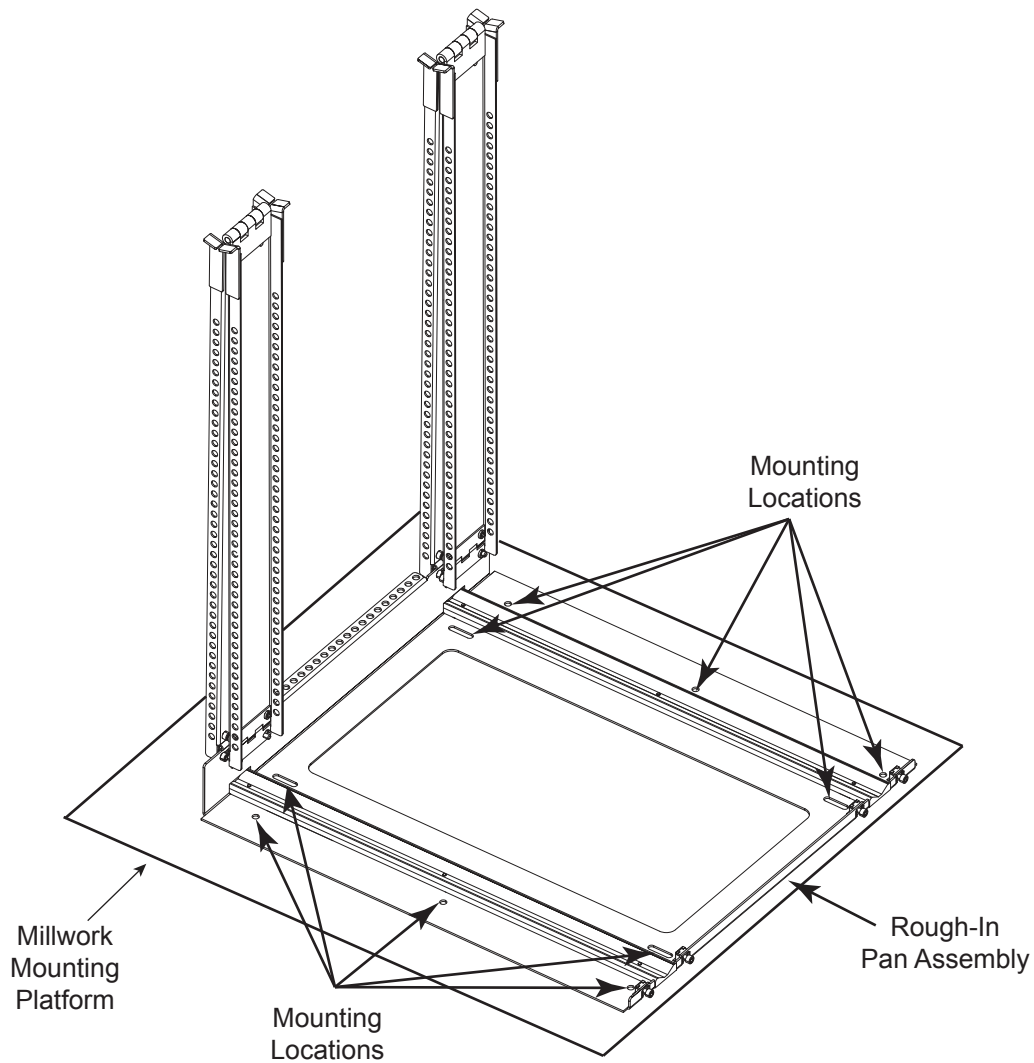
**FIGURE A**

- 2) Fold up both cable carriers and tie back with rubber bands or twine for ease of installation.

## ROUGH-IN PAN ASSEMBLY (CONTINUED)

2) Position rough-in pan assembly into millwork mounting platform and mount with appropriate customer-supplied hardware. **(FIGURE B)**

**NOTE:** Refer to MILLWORK SPECS on page 5 for specific front setback dimensions.

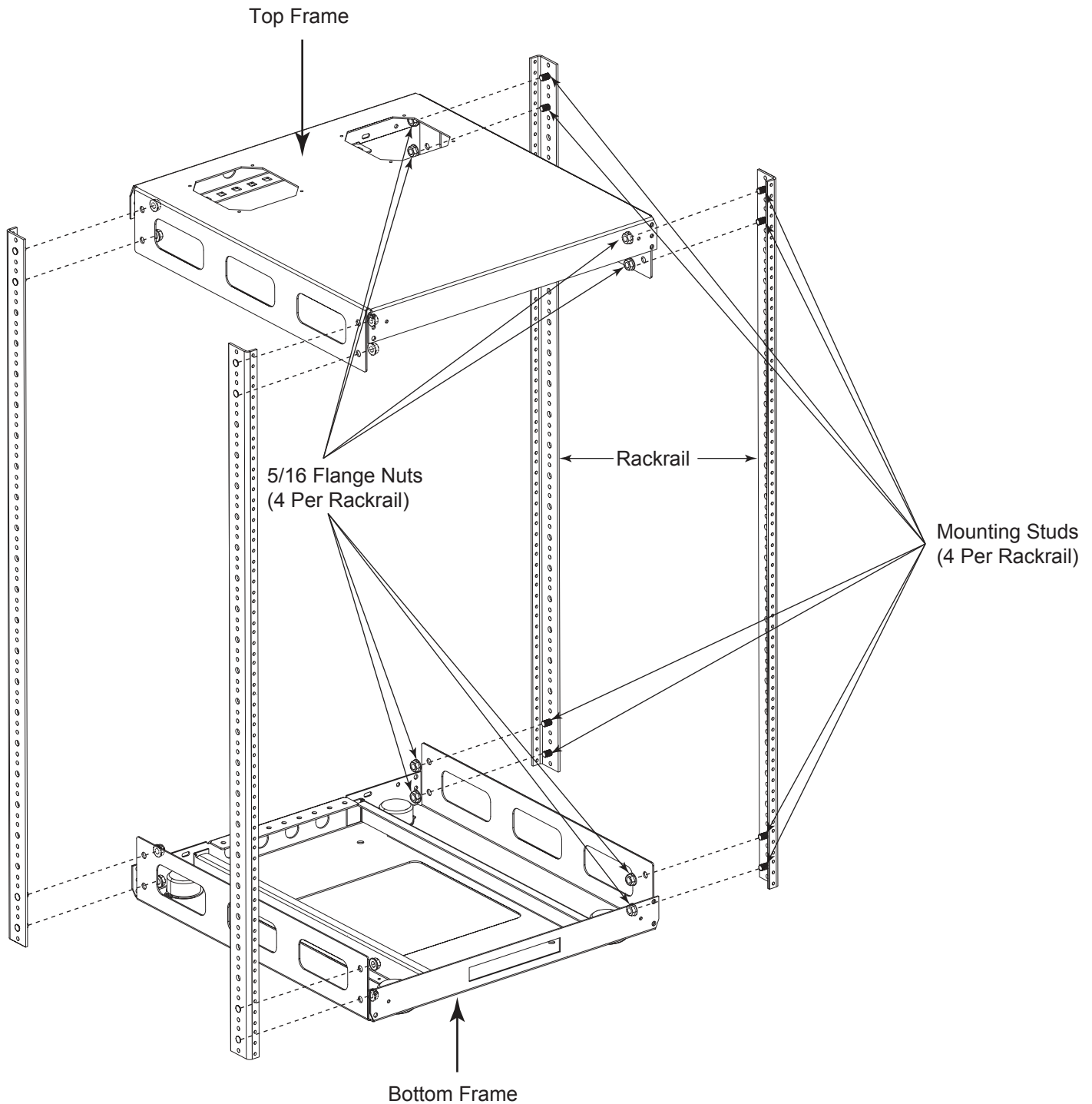


**FIGURE B**



## RACK ASSEMBLY

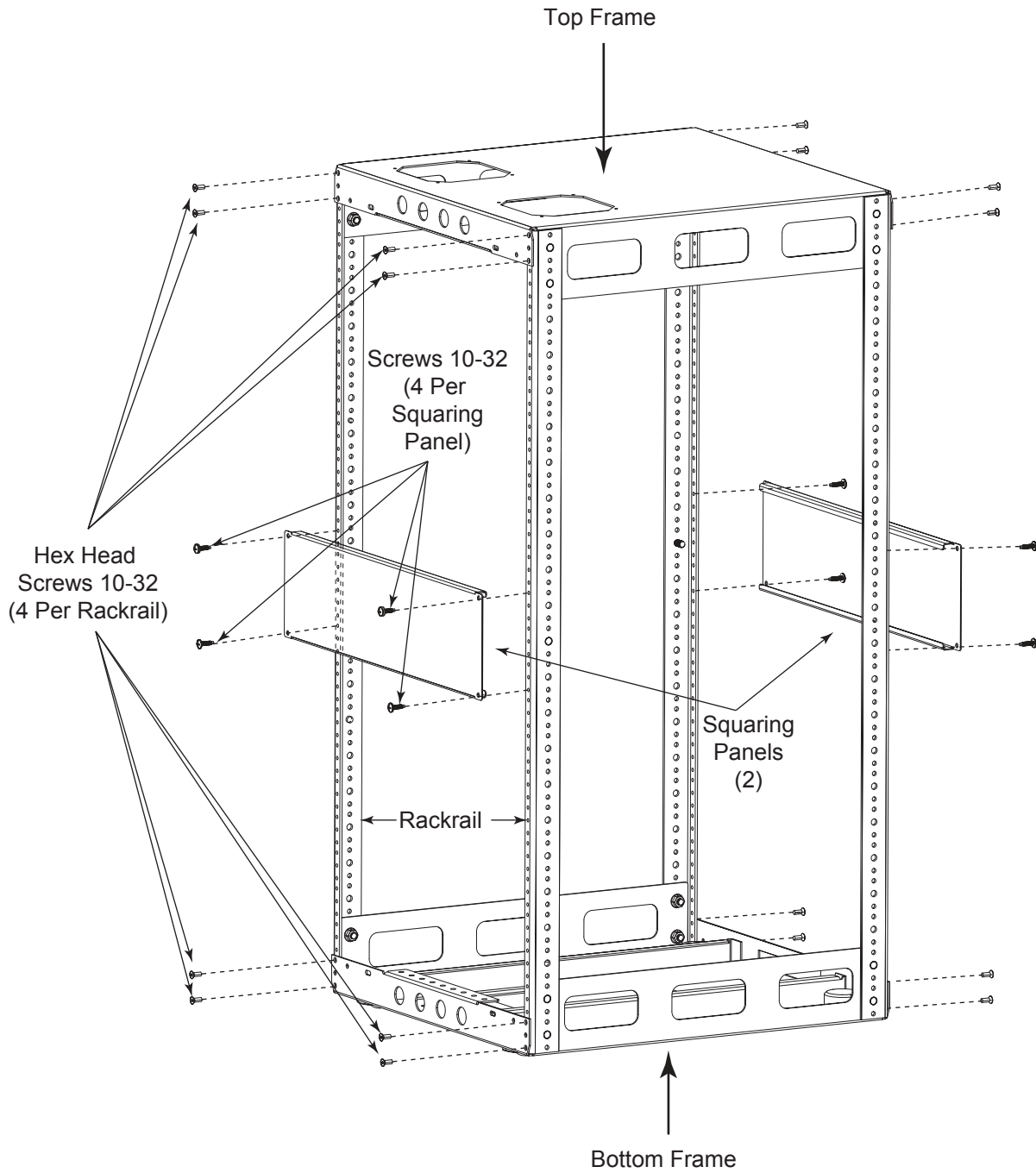
- 1) Align the (4) pre-installed mounting studs on each rackrail with mounting holes in top and bottom frames. **(FIGURE C)**
- 2) Loosely secure each rackrail to top and bottom frame using (2) 5/16 flange nuts per frame. **(FIGURE C)**



**FIGURE C**

## RACK ASSEMBLY (Continued)

- 3) Install (4) 10-32 Hex Head screws through top and bottom frames into each rackrail. **(FIGURE D)**
- 4) Install (2) squaring panels on front and rear of assembly using (4) 10-32 x 1/4" screws. Locate squaring panels at the mid-point of rackrail assembly. **(FIGURE D)**

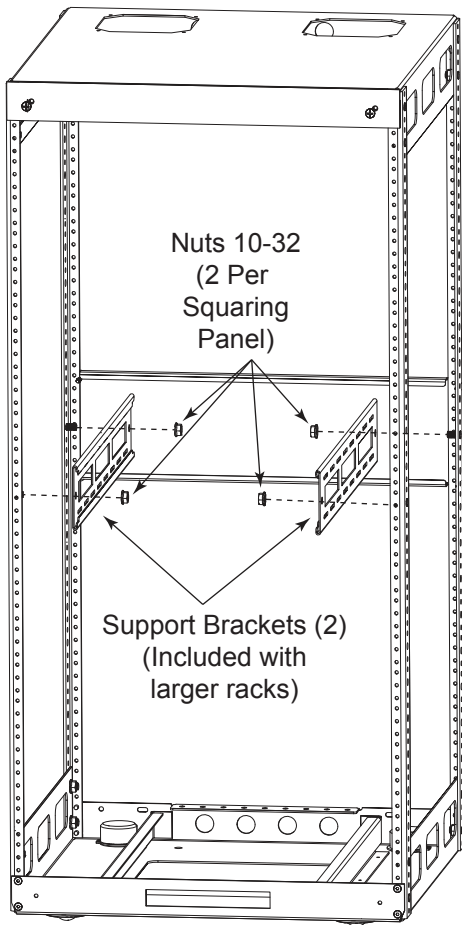


**FIGURE D**

## RACK ASSEMBLY (Continued)

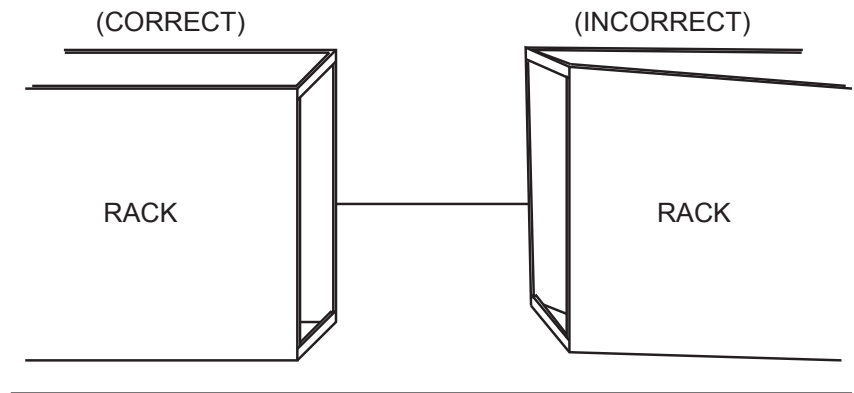
- 5) Install (2) support brackets on pre-installed rackrail mounting studs using (4) 10-32 hex head screws. **(FIGURE E)**

**NOTE:** Support brackets only included with larger racks.

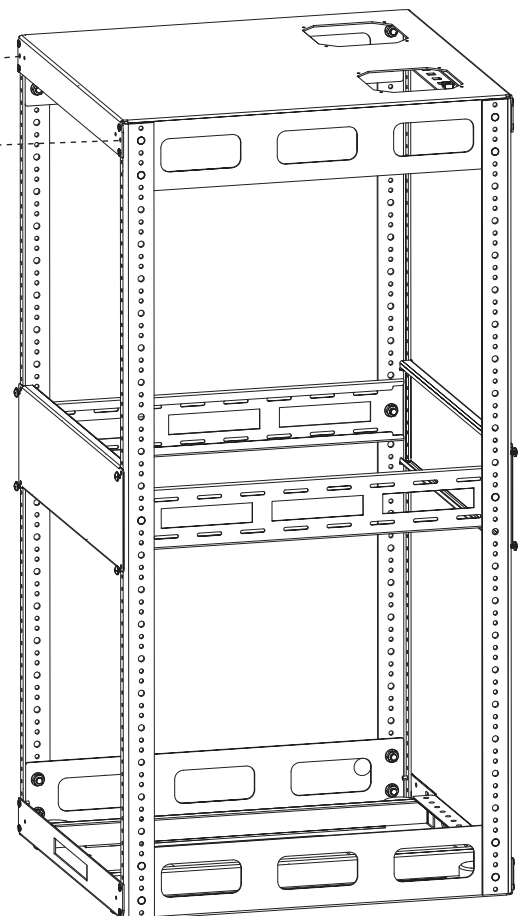
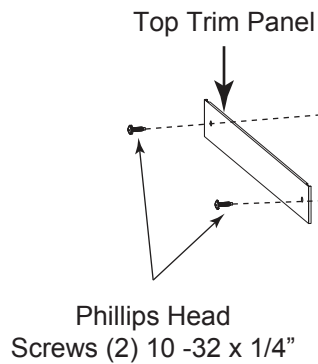


**FIGURE E**

- 6) Lay assembly on a flat, level surface and square frame on all four corners. **(FIGURE F)**



**FIGURE F**



**FIGURE G**

- 7) Tighten all flange nuts.

- 8) Install top trim panel using (2) 10-32 x 1/4" screws. **(FIGURE G)**

**NOTE:** Top trim panel contains only two screw holes.

### EQUIPMENT LOADING AND SQUARING PANELS

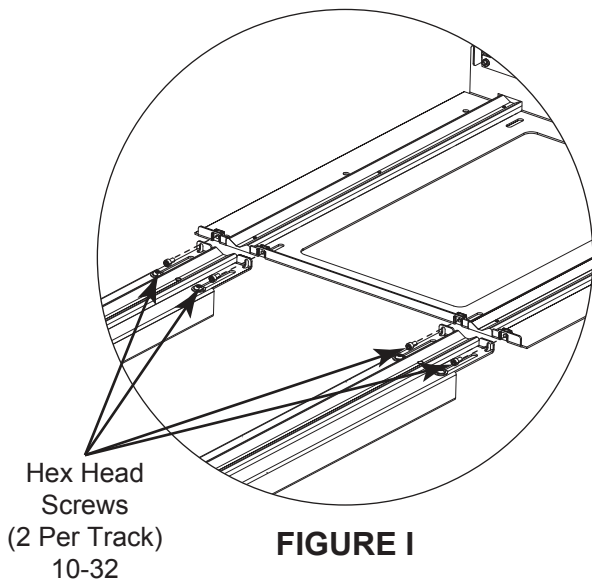
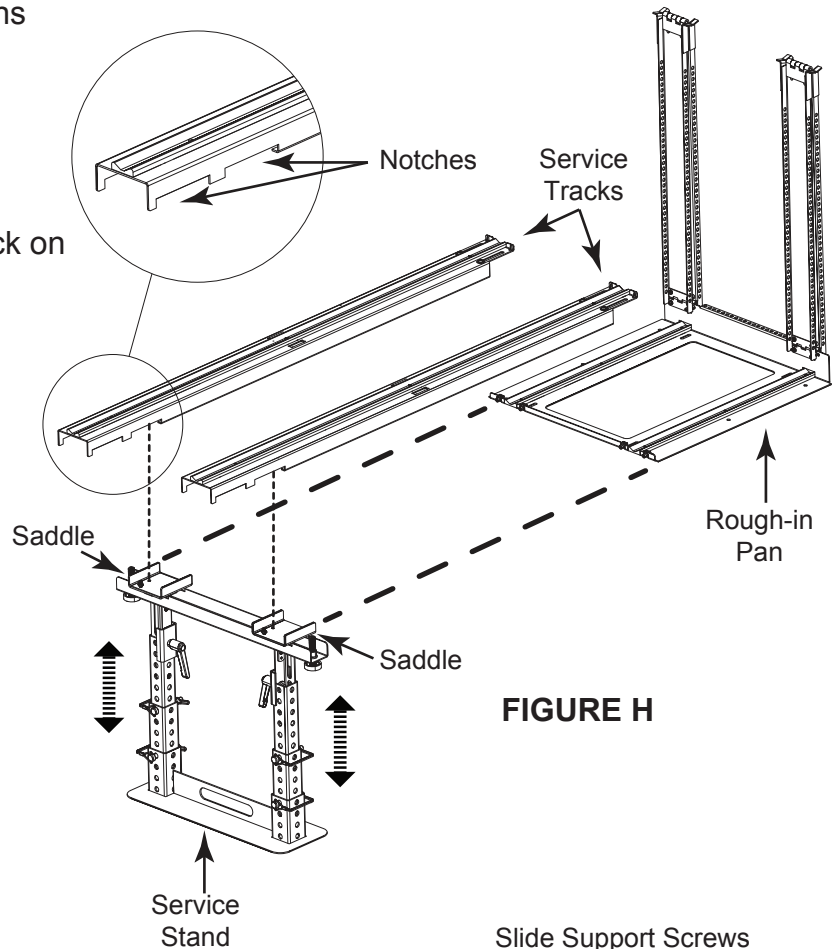
To eliminate the possibility of a center bow in the frame, Middle Atlantic Products suggests that the squaring panels be left in place until some of your components have been mounted.

## SERVICE STAND / SERVICE TRACK ASSEMBLY

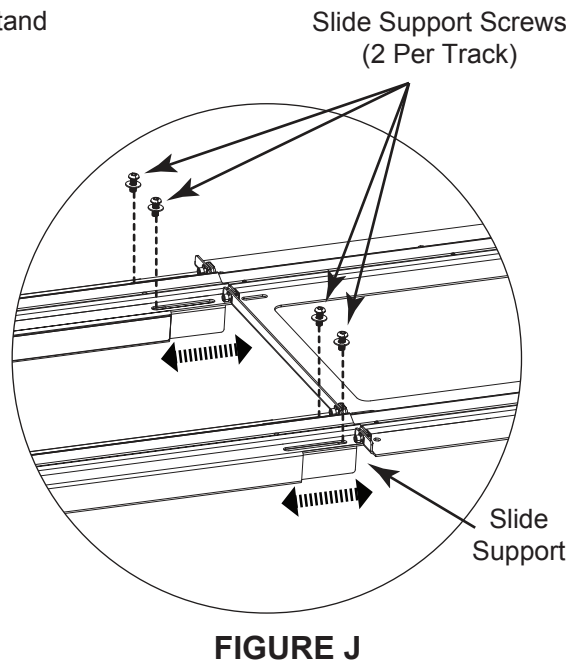
- 1) Assemble service stand as per instructions included with unit.
- 2) Adjust stand to approximate height of rough-in pan. **(FIGURE H)**
- 3) Position notched end of each service track on service stand saddles. **(FIGURE H)**

**⚠ CAUTION!** Be sure notched ends are fully seated in service stand saddles to prevent tracks from falling out.

- 4) Position opposite end of each service track on millwork. **(FIGURE H)**
- 5) Secure each service track to rough-in pan using (2) 10-32 hex head screws (included in service track hardware kit). **(FIGURE I)**

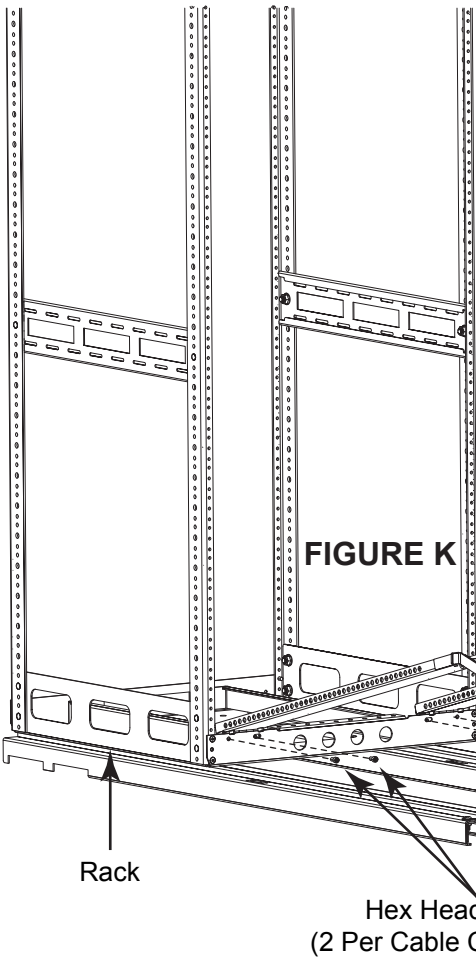


- 6) Fine adjust the service stand with the aid of the level installed in the service tracks.
- 7) Extend slide supports on each service track to meet millwork using slide support screws (2 per service track). **(FIGURE J)**



**NOTE:** This adjustment strengthens track when extending heavy equipment for servicing.

## RACK AND CABLE CARRIER INSTALLATION



1) Place rack on service track assembly (observe proper front/rear orientation). **(FIGURE K)**

**CAUTION!** Do not allow the frame to roll off end of tracks.

2) Extend and secure each cable carrier to frame using (2) 10-32 hex head screws (included in service track hardware kit). **(FIGURE K)**

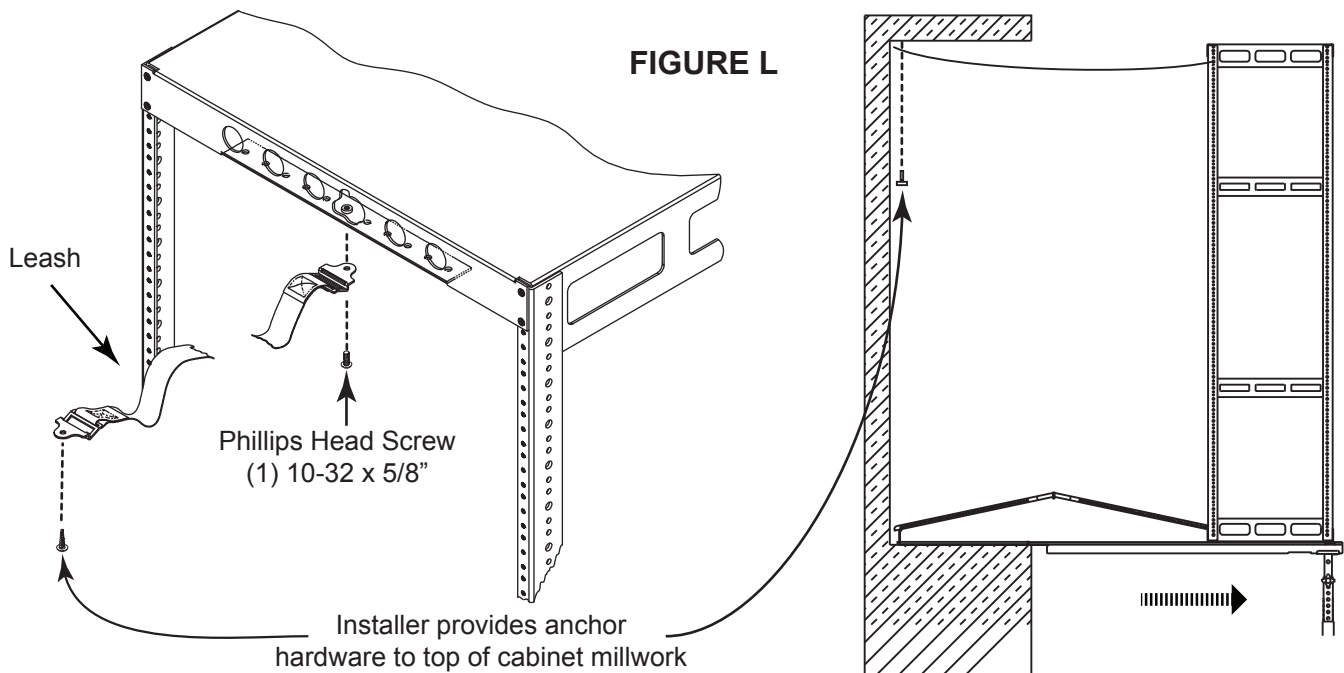
3) Install one end of the leash to top rear of frame using (1) 10-32 x 5/8" Phillips head screw (included leash hardware kit). **(FIGURE L)**

**CAUTION!** The leash is an integral part of this system and must be installed to prevent system from tipping and sliding off tracks.

**NOTE:** The leash can be shortened by tying knots in it.

4) Extend frame until cable carriers stop frame at full out position.

5) Attach opposite end of leash to a stable point in your cabinet / millwork with hardware of your choice.

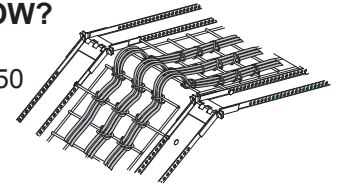


## CABLE MANAGEMENT

- 1) Extend cable carriers fully. **(FIGURE K)**
- 2) Route cables through cable carrier channel. **(FIGURE M)**
- 3) Tie cabling in a bundle and secure to center of cable carrier channel. **(FIGURE M)**
- 4) Leave service loop at hinge point to allow for folding.

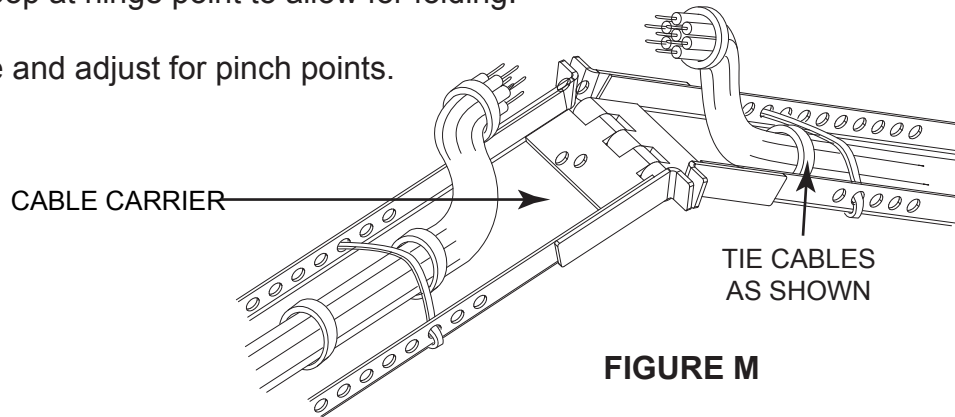
### DID YOU KNOW?

Optional part #  
AXS-WT25/WT50  
is available to  
handle larger  
cable bundles



PART #	FITS
AXS-WT-25	AX-SX, SSAX
AXS-WT50	AXS, SAX

**NOTE:** Observe and adjust for pinch points.

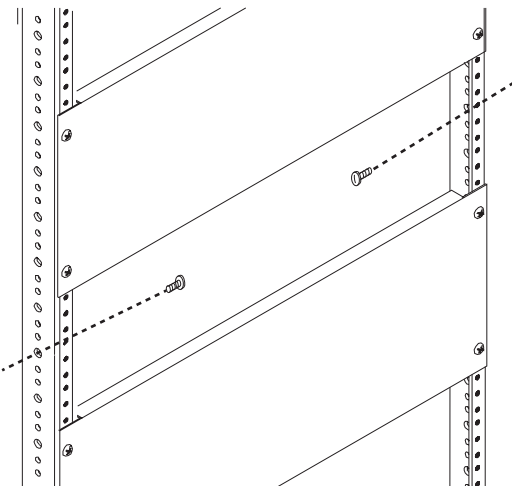


## SECURING RACK ASSEMBLY IN MILLWORK

- 1) Roll loaded rack into millwork.
- 2) Install bottom trim panel using (4) 10-32 Phillips head screws (included in hardware kit). **(FIGURE N)**

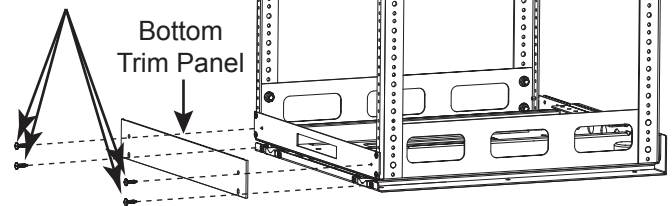
**⚠ WARNING!** The trim panel is integral to the safe operation of this product and is required to prevent the rack from sliding out. Failure to install trim panel can result in serious damage to equipment and/or risk of injury.

- 3) Remove tracks and service stand.



**FIGURE O**

Phillips Head  
Screws (4)  
10 -32 x 1/4"

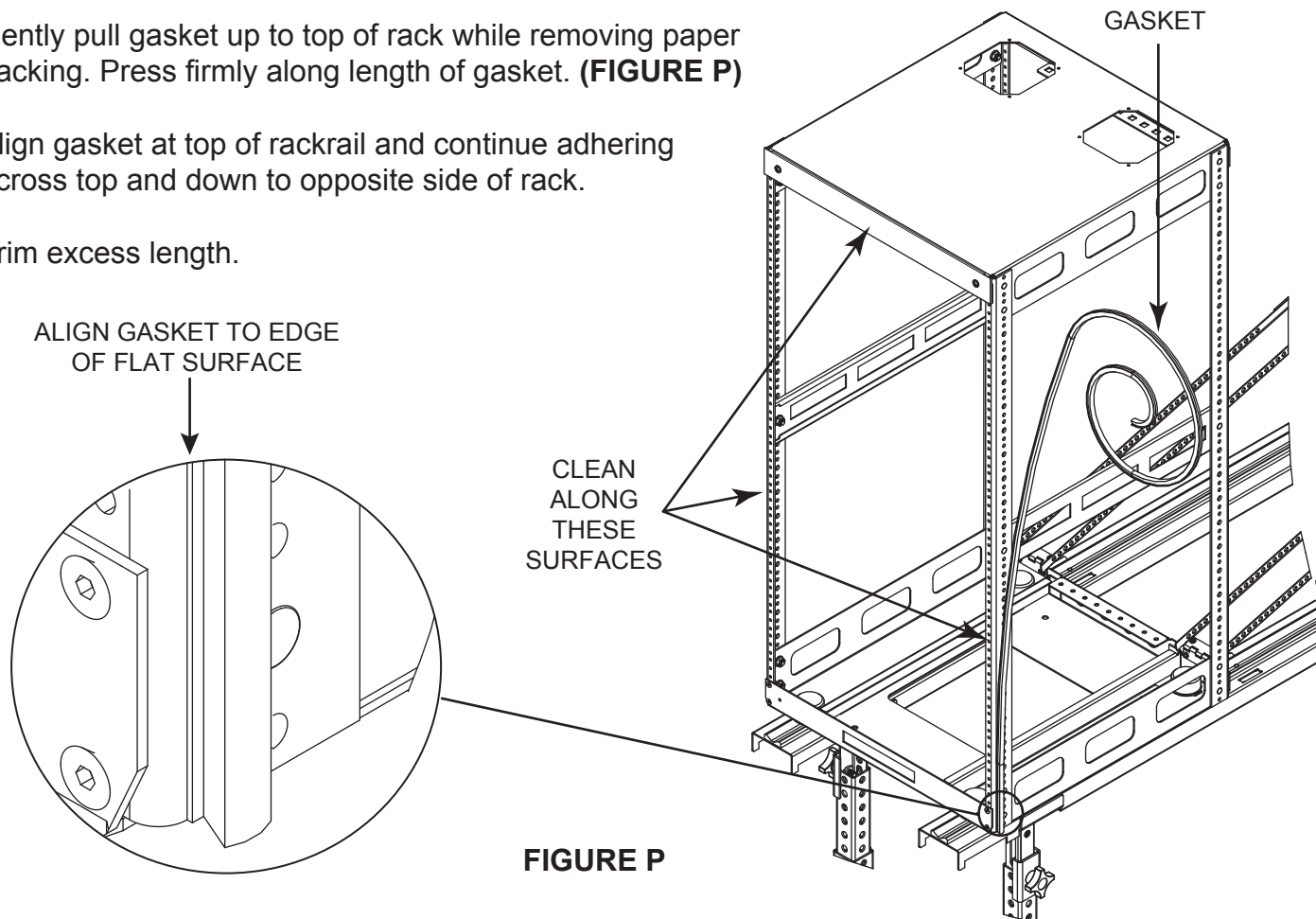


**FIGURE N**

**NOTE:** If the loaded rack frame springs outward during installation, it can be secured directly to the millwork wherever a blank panel is located. With rack closed, remove blank panel and install customer-supplied screws through each side of front rackrail into millwork. **(FIGURE O)**

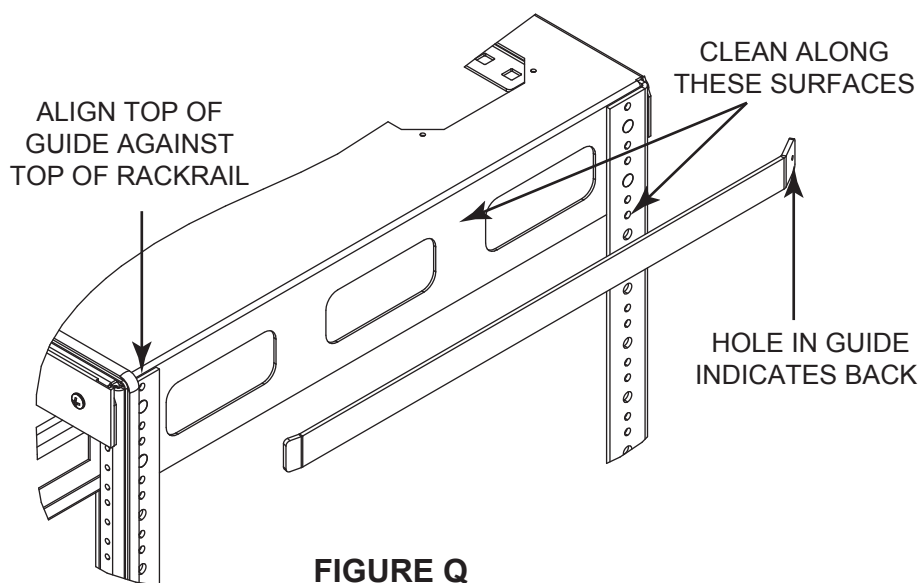
## GASKET KIT (OPTIONAL) INSTALLATION

- 1) Remove dust and debris from rack surface with included wipes. **(FIGURE P)**
- 2) Remove paper backing from gasket and adhere gasket to bottom of rackrail. **(FIGURE P)**
- 3) Gently pull gasket up to top of rack while removing paper backing. Press firmly along length of gasket. **(FIGURE P)**
- 4) Align gasket at top of rackrail and continue adhering across top and down to opposite side of rack.
- 5) Trim excess length.



## GUIDE KIT (OPTIONAL) INSTALLATION

- 1) Remove dust and debris from rack surface with included wipes. **(FIGURE Q)**
- 2) Remove paper backing from adhesive and press firmly to adhere guide. **(FIGURE Q)**



## **WARRANTY**

Middle Atlantic Products (the "Company") warrants the Equipment Access System to be free from defects in material or workmanship under normal use and conditions for a period of (3) years from the date of shipment by the company.

The Company's entire liability to the purchaser, and the purchaser's (or any other party's) sole and exclusive remedy, under this warranty shall be limited, at the Company's option, to either (a) return of and refund of the price paid for, or (b) repair or replacement at the Company's factory of the products purchased, or any part or parts thereof, which the Company has determined to be defective after inspection thereof at the Company's factory.

This warranty does not cover damage due to acts of God, accident, misuse, abuse or negligence by parties other than the Company, or any modification or alteration of the products. In addition, this warranty does not cover damage due to improper handling, assembly, installation or maintenance.

THIS WARRANTY IS IN LIEU OF ALL OTHER WARRANTIES OF ANY KIND, EITHER EXPRESSED OR IMPLIED, INCLUDING, BUT NOT LIMITED TO, IMPLIED WARRANTIES OF MERCHANTABILITY AND FITNESS FOR A PARTICULAR PURPOSE.

TO THE MAXIMUM EXTENT PERMITTED BY APPLICABLE LAW, IN NO EVENT SHALL THE COMPANY BE LIABLE FOR ANY SPECIAL, INCIDENTAL, INDIRECT, OR CONSEQUENTIAL DAMAGES WHATSOEVER (INCLUDING, WITHOUT LIMITATION, DAMAGES FOR LOSS OF BUSINESS PROFITS, BUSINESS INTERRUPTION OR ANY OTHER PECUNIARY LOSS) ARISING OUT OF THE USE OF THE PRODUCTS PURCHASED, EVEN IF THE COMPANY HAS BEEN ADVISED OF THE POSSIBILITY OF SUCH DAMAGES. THE COMPANY'S LIABILITY TO THE PURCHASER (OR ANY OTHER PARTY) HEREUNDER, IF ANY, SHALL IN NO EVENT EXCEED THE PURCHASE PRICE OF THE PRODUCTS PAID TO THE COMPANY.

### **Corporate Headquarters**

Corporate Voice 973-839-1011 - Fax 973-839-1976  
International Voice +1 973-839-8821 - Fax +1 973-839-4982  
middleatlantic.com - info@middleatlantic.com

### **Middle Atlantic Canada**

Voice 613-836-2501 - Fax 613-836-2690  
middleatlantic.ca - customerservicecanada@middleatlantic.ca

### **Factory Distribution**

USA: NJ - CA - IL Canada: ON - BC

**At Middle Atlantic Products we are always listening. Your comments are welcome.**

**Middle Atlantic Products is an ISO 9001 and ISO 14001 Registered Company.**