

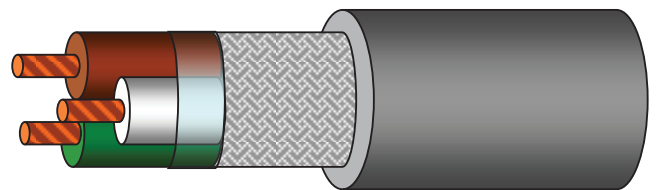
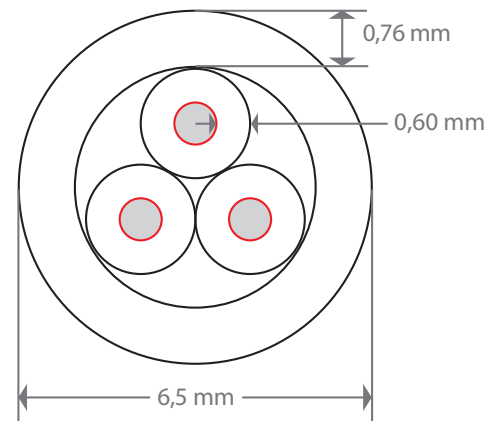
LiYCY – 3 cores x 0,50mm² (AWG 21)

This cable is suitable for control equipment on machine tools subjected to medium mechanical stresses; for fixed or flexible installation, where free movement is required without tensile stresses and without forced guidance systems; and in dry, damp and wet interiors — including water-oil mixtures — but not outdoors.

Part Number 32054509

CONSTRUCTION

Conductor	Flexible bare copper conductors conforming to CEI 20-29 Class 5, DIN-VDE 0295 K5 and IEC 60228 Cl.5
Insulation	Special PVC insulation compound 105°C according to UL 1581 Colour coded cores according to DIN47100 Polyester tape
Insulation Colour	According to DIN47100 (white+brown+green)
Screen	Tinned copper screening with coverage 85% ±5%
Min. Bending Radius	Occasional flexing: 20 x outer Ø Fixed installation: 6 x outer Ø
Conductor Size	0,50 mm ²
Avg. Insulation Thickness	0,60 mm
Jacket Thickness	0,76 mm
Overall Dia.	6,5 mm
Cable Weight	66 kg/km
Jacket	Special PVC outer sheath compound 105°C according to UL 1581
Jacket Colour	Grey RAL7001
Norms	Manufactured under ISO 9001-2008 CSQ-IMQ (EQ-NET) Quality System. According to UL style 21179 and CSA AWM I A/B II A/B Conforms to Low Voltage Directive (LVD) 2014/35/EU CE
Print Legend	ASCENT LiYCY DIN 47100 3X0,50mm ² (LOT) CE - cRUus AWM STYLE 21179 3X21 AWG FILE E47982 IK AWM I A/B II A/B 105°C 600 V FT1 (Month/Year)



ELECTRICAL CHARACTERISTICS

Operating Temperature (°C)	Occasional flexing: -5°C to 105°C Fixed installation: -40°C to 105°C
Operating Voltage (V)	UL 1000V
Test Voltage (V)	10.000V
Flame Retardant	Flame retardant, Test method B according to DIN VDE 0472 part 804, IEC 60332-1, IEC 60332.3-24 and UL VW-1/CSA FT1



Application: Oil-resistant, screened control and power cables for indoor fixed or flexible installation

All trademarks are property of their respective owners. All specifications are subject to change.

Bristol | Unit 61, Gazelle Rd., Weston Industrial Estate, Weston-super-Mare, North Somerset BS24 9ES

Frankfurt | Rudolf-Braas-Strasse 2, D-61381 Friedrichsdorf

Milwaukee | 5001 South Towne Dr. New Berlin, WI 53151 USA

Shanghai | B2-2 Weiting Town Industrial - Workshop A, No. 9 Weixin Rd., Suzhou Industrial Park, Jiangsu, China 215122

Date	Rev	Description	By
2018/03/01	0	Spec created	JJM
2018/07/09	1	Updated	JJM