

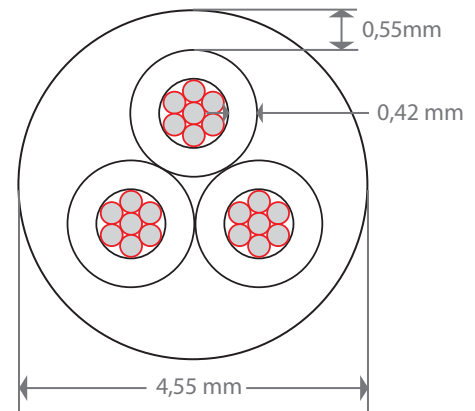
UF06 - 3 Core

Type UF06 cable is generally used as feeder to outside post lamps, pumps, and other loads or apparatus fed from a distribution point in an existing building.

Part Number 32065530

CONSTRUCTION

Conductor	Bare copper
Conductor Size	0,25±0,008×7
Insulation	FR-PVC
Insulation Colours	Brown, Blue, Black
Insulation Thickness	0,42 mm
Filler	Chalk
Jacket Material	FR-PVC
Jacket Colour	Black
Jacket Avg. Thickness	0,55 mm
Print Legend	ASCENT E477982 UL TYPE PLTC 3C/22 AWG 300V 105°C WW/YY



ELECTRICAL CHARACTERISTICS

Operating Temperature (°C)	105° C
Operating Voltage	300V
Max. Resistance per Conductor @ 20°C	<54,2 Ω/km
Min. Insulation DC Resistance @ 20°C	>200 MΩ/km

Application: Building Wire, underground feeder

All trademarks are property of their respective owners. All specifications are subject to change.

Bristol | Unit 61, Gazelle Rd., Weston Industrial Estate, Weston-super-Mare, North Somerset BS24 9ES UK

Frankfurt | Rudolf-Braas-Strasse 2, D-61381 Friedrichsdorf

Milwaukee | 5001 South Towne Dr. New Berlin, WI 53151 USA

Suzhou | B2-2 Weiting Town Industrial - Workshop A, No. 9 Weixin Rd., Suzhou Industrial Park, Jiangsu, China 215122

Date	Rev	Description	By
2018/07/09	0	Spec created	JJM