

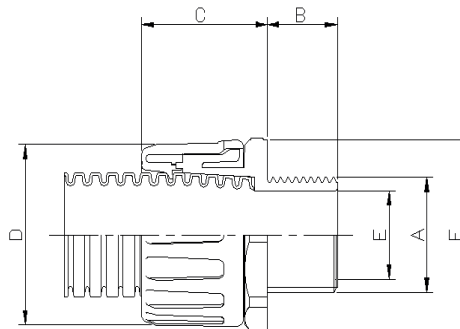
<b>Technical Data Sheet:</b>	<b>DS128-4</b>
<b>Product Description</b>	<b>Straight conduit fitting, external Metric thread</b>
<b>Product Range</b>	<b>FPA - Nylon (Metric Thread)</b>

# Atkore™ Flexicon



www.atkore.com/flexicon

• **FPA fittings - IP66**



**Material:**  
Nylon PA66

**Colour:**  
FPA - Black & Grey (RAL7031)

**Fire Performance:**  
Extra Low Fire Hazard - Halogen, Sulphur & Phosphorous Free

For full details fire performance details of PA66 fittings see data sheet reference DS601

**IP Rating:**  
• IP66  
(NB: For higher IP ratings see FPAX & FPAU fittings)

**Applications:**  
Suitable for knockouts or threaded entries.

**Features:**  
•UV Resistant - Black  
•Fast Fit  
•Anti vibration & Tamper Resistant  
•High tensile strength due to all round retaining teeth 40kg with FPAS21  
•Supplied complete with glass reinforced nylon locknut.  
•Can be removed using a screwdriver

**Temperature Performance:**  
-50°C to +135°C

Conduit Size	Part No.	Metric Thread	Dimension (mm)				
		A	B	C	D	E	F (A/F)
10	FPA10-M12#	M12 X 1.5	9	24	19	7.5	19
10	FPA10-M16#	M16 X 1.5	11	24	19	9.5	19
11	FPA11-M12#	M12 X 1.5	9	24	19	7.5	19
13	FPA13-M12#	M12 X 1.5	9	26	24	7.5	23
13	FPA13-M16#	M16 X 1.5	11	26	24	11.0	23
13	FPA13-M20#	M20 X 1.5	14	26	24	12.5	23
16	FPA16-M16#	M16 X 1.5	11	30	29	11.0	28
16	FPA16-M20#	M20 X 1.5	14	30	29	14.5	28
18	FPA18-M20#	M20 X 1.5	14	30	32	14.5	30
20	FPA20-M20#	M20 X 1.5	14	30	32	14.5	30
21	FPA21-M20#	M20 X 1.5	14	30	32	14.5	30
21	FPA21-M25#	M25 X 1.5	15	30	32	19.5	30
25	FPA25-M25#	M25 X 1.5	15	34	39	19.5	37
28	FPA28-M25#	M25 X 1.5	15	34	44	19.5	42
28	FPA28-M32#	M32 X 1.5	16	34	44	26.5	42
34	FPA34-M32#	M32 X 1.5	16	37	51	26.5	49
34	FPA34-M40#	M40 X 1.5	16	37	51	32.5	49
42	FPA42-M40#	M40 X 1.5	16	44	63	32.5	60
42	FPA42-M50#	M50 X 1.5	16	44	63	40.5	60
54	FPA54-M50#	M50 X 1.5	16	49	76	42.0	73
54	FPA54-M63#	M63 X 1.5	16	49	76	53.0	73
67	FPA67-M63#	M63 X 1.5	16	54	90	56.0	87
67	FPA67-M75#	M75 X 2.0	22	54	90	63.0	87
80	FPA80-M85#	M85 X 2.0	22	65	109	75.0	104

NB: # add B for Black or G for Grey

**Compliance, Approvals & Accreditation;**



EN 61386 Classification Available on request

File No. E229161

Vibration and Shock resistant to EN 61373 Cat 2

**Typical Applications;**



Errors, omissions and amendments excepted. As part of continuing product development Flexicon Ltd reserve the right to alter product specifications without prior notice. Data given is correct at time of compilation. Product specification and application data is for guidance only and does not constitute a warranty of any kind, either expressed or implied for Flexicon products or their suitability for a specific purpose. Third party approvals maybe limited to certain sizes within a product range.

Created by: <b>Colin Legg - Marketing Director</b>	Approved by: <b>Alex Smith - Technical Director</b>	Date: <b>July 2023</b>	Page Number: <b>Page 1 of 1</b>
---	--	---------------------------	------------------------------------