

INSTRUCTION SHEET

BB SERIES

COPPER BUSS BARS



To ensure the proper insulation of the Buss Bar from the racks, the supplied hardware must be installed **EXACTLY** as shown.

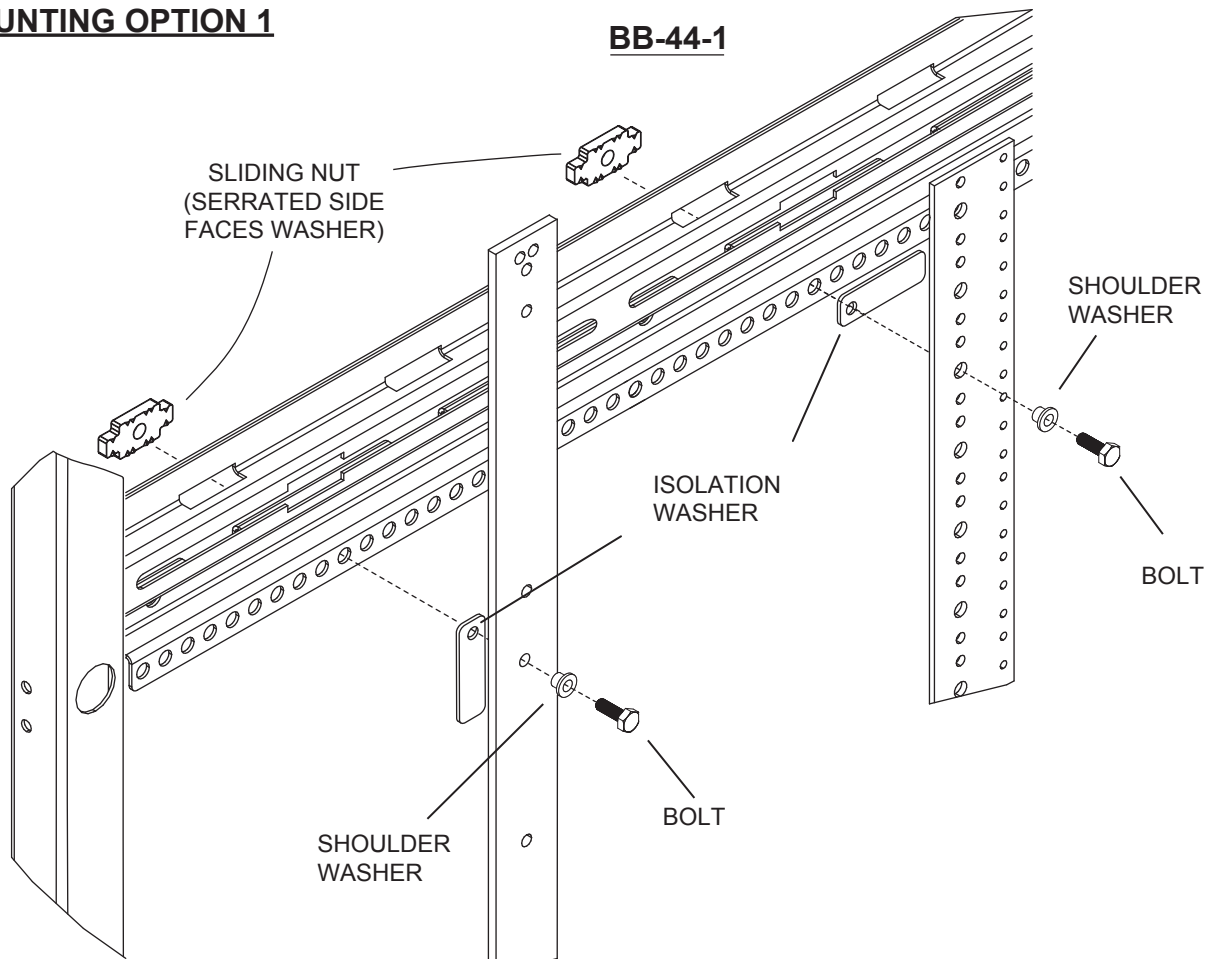
INSTALLATION

Using the supplied hardware, mount the BB-40 or BB-44-1 to all four internal rackrail mounting brackets, or for the BB-12, mount to the two internal rackrail mounting brackets. Choose one of two following mounting options:

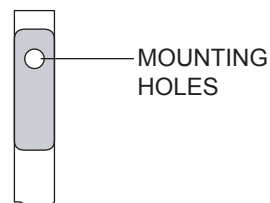
MOUNTING OPTIONS

1) Secure the buss bar to the rackrail bracket utilizing the fixed mounting holes as shown.

MOUNTING OPTION 1



PLACEMENT OF ISOLATION WASHER
WHEN MOUNTING THE BB-44-1




Middle Atlantic Products

I-00026

Rev G

MOUNTING OPTION 2

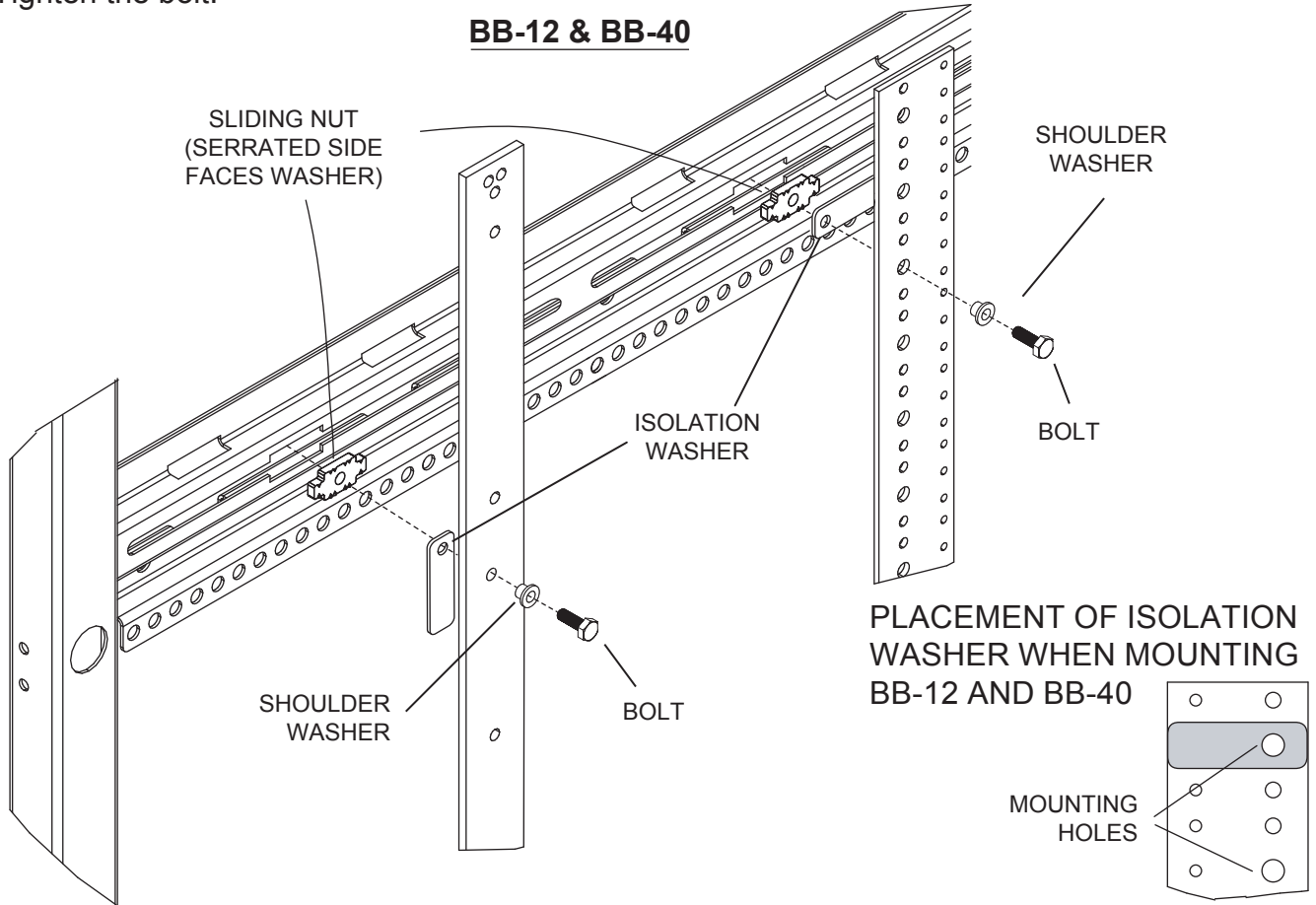
2) Secure the buss bar to the rackrail bracket utilizing the positionable rackrail slot:

2a) Loosely fasten all the hardware to buss bar.

2b) Insert sliding nut into the rackrail slot.

2c) Slide the buss bar horizontally to the desired position.

2d) Tighten the bolt.



WARRANTY

Middle Atlantic Products (the "Company") warrants the BB Series to be free from defects in material or workmanship under normal use and conditions for the lifetime of the product.

The Company's entire liability to the purchaser, and the purchaser's (or any other party's) sole and exclusive remedy, under this warranty shall be limited, at the Company's option, to either (a) return of and refund of the price paid for, or (b) repair or replacement at the Company's factory of the products purchased, or any part or parts thereof, which the Company has determined to be defective after inspection thereof at the Company's factory.

This warranty does not cover damage due to acts of God, accident, misuse, abuse or negligence by parties other than the Company, or any modification or alteration of the products. In addition, this warranty does not cover damage due to improper handling, assembly, installation or maintenance.

THIS WARRANTY IS IN LIEU OF ALL OTHER WARRANTIES OF ANY KIND, EITHER EXPRESSED OR IMPLIED, INCLUDING, BUT NOT LIMITED TO, IMPLIED WARRANTIES OF MERCHANTABILITY AND FITNESS FOR A PARTICULAR PURPOSE.

TO THE MAXIMUM EXTENT PERMITTED BY APPLICABLE LAW, IN NO EVENT SHALL THE COMPANY BE LIABLE FOR ANY SPECIAL, INCIDENTAL, INDIRECT, OR CONSEQUENTIAL DAMAGES WHATSOEVER (INCLUDING, WITHOUT LIMITATION, DAMAGES FOR LOSS OF BUSINESS PROFITS, BUSINESS INTERRUPTION OR ANY OTHER PECUNIARY LOSS) ARISING OUT OF THE USE OF THE PRODUCTS PURCHASED, EVEN IF THE COMPANY HAS BEEN ADVISED OF THE POSSIBILITY OF SUCH DAMAGES. THE COMPANY'S LIABILITY TO THE PURCHASER (OR ANY OTHER PARTY) HEREUNDER, IF ANY, SHALL IN NO EVENT EXCEED THE PURCHASE PRICE OF THE PRODUCTS PAID TO THE COMPANY.

Corporate Headquarters

Corporate Voice 973-839-1011 - Fax 973-839-1976
International Voice +1 973-839-8821 - Fax +1 973-839-4982
middleatlantic.com - info@middleatlantic.com

Middle Atlantic Canada

Voice 613-836-2501 - Fax 613-836-2690
middleatlantic.ca - customerservicecanada@middleatlantic.ca

Factory Distribution

USA: NJ - CA - IL Canada: ON - BC

At Middle Atlantic Products we are always listening. Your comments are welcome. Middle Atlantic Products is an ISO 9001 and ISO 14001 Registered Company.

