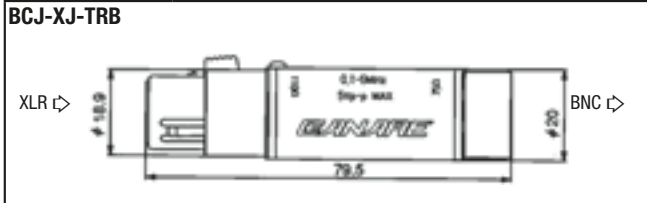
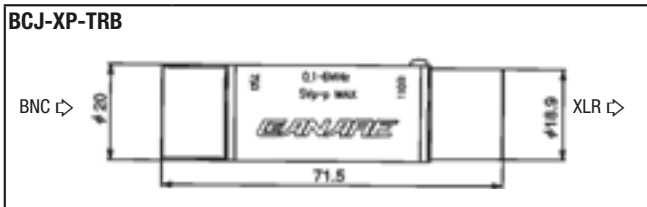


Applications

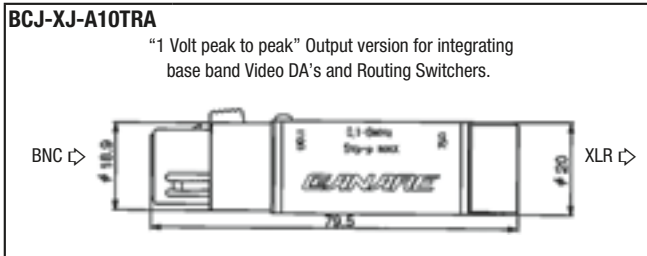
- Post production suites
- DAT routing
- Recording studios
- Digital audio tie lines



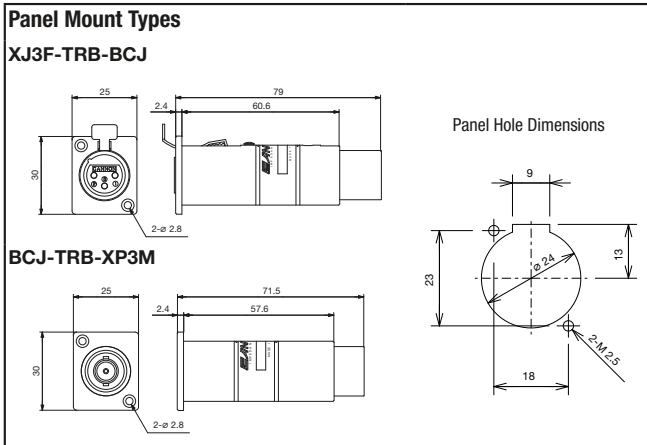
| | |
|----------------------|-----------------------|
| XLR3 - Female | BNC Receptacle |
| 110Ω Input | 75Ω Output |



| | |
|-----------------------|------------------|
| BNC Receptacle | XLR3-Male |
| 75 Input | 110 Output |



| | |
|-----------------------------|-----------------------|
| XLR3 - Female | BNC Receptacle |
| 110 Input | 75 Output (at 1VP-P) |
| 10dB Attenuation Pad | |



| Model | Description (Front - Back) | Flange Type |
|-----------------|----------------------------|-------------|
| XJ3F-TRB-BCJ | XLR(F) - BNC | ITT XLR-F77 |
| XJ3M-TRB-BCJ | XLR(M) - BNC | |
| BCJ-TRB-XP3F | BNC -XLR(F) | |
| BCJ-TRB-XP3M | BNC -XLR(M) | |
| XJ3F-A10TRA-BCJ | XLR(F) - BNC 10dB Pad | |
| BCJ-A10TRA-XP3F | BNC - XLR(F) 10dB Pad | |

Features

- SMPTE 276M & AES3 transmission standards
- Coaxial routing of 2 channel AES/EBU digital audio
- Permits longer cable runs vs 110Ω twisted pair
- Signal distribution: Canare video patchbays, routers & VDA's

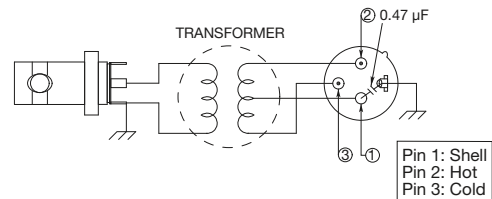


| GENERAL SPECIFICATION | |
|-----------------------|------------------|
| Bandwidth | 0.1 - 6MHz |
| Maximum Voltage | 5V p-p |
| VSWR | Less than 1.1 |
| Insertion Loss | Less than 0.3 dB |

Canare Impedance Transformers allow 75Ω coaxial transmission of all 2 channel AES/EBU Digital Audio signals. Low cost and easy to use, our I/O adapters are designed to passively convert all standard AES/EBU digital audio signals from 110Ω/XLR3 Output (@ 4.5 Volts) to a 75Ω BNC coaxial cable and then back again to a 110Ω/XLR3 Input (200mV min). Also provides excellent rejection against hum and noise.

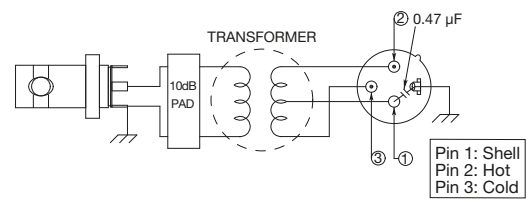
BCJ-XJ-TRB / BCJ-XP-TRB

75 BNC (unbalanced) 110Ω XLR3 (balanced)



BCJ-XJ-A10TRA

75 BNC (unbalanced) 110Ω XLR3 (balanced)



110Ω-75Ω Impedance Transformer: Input/Output Level Performance

| AES/EBU Transmitter (V) | Transformer Out (V) |
|-------------------------|---------------------|
| 2.0 | 1.60 |
| 3.0 | 2.39 |
| 4.0 | 3.18 |
| 4.5 | 3.60 |
| 5.0 | 3.98 |
| 6.0 | 4.78 |
| 7.0 | 5.58 |
| 8.0 | 6.38 |
| 9.0 | 7.18 |
| 10.0 | 7.98 |

BCJ-XJ-TRB/BCJ-XP-TRB

| AES/EBU Transmitter (V) | Transformer Out -10dB Pad (V) |
|-------------------------|-------------------------------|
| 2.0 | 0.50 |
| 3.0 | 0.75 |
| 4.0 | 1.01 |
| 4.5 | 1.13 |
| 5.0 | 1.26 |
| 6.0 | 1.51 |
| 7.0 | 1.76 |
| 8.0 | 2.02 |
| 9.0 | 2.27 |
| 10.0 | 2.52 |

BCJ-XJ-A10TRA