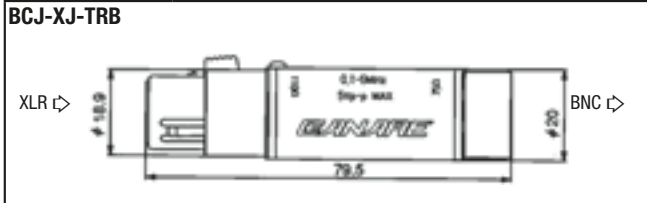
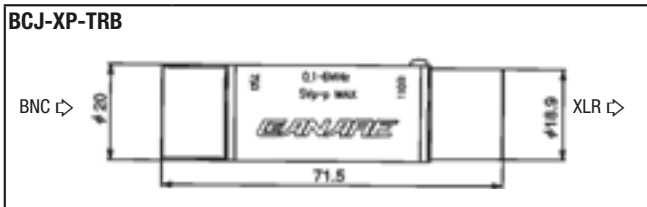


## Applications

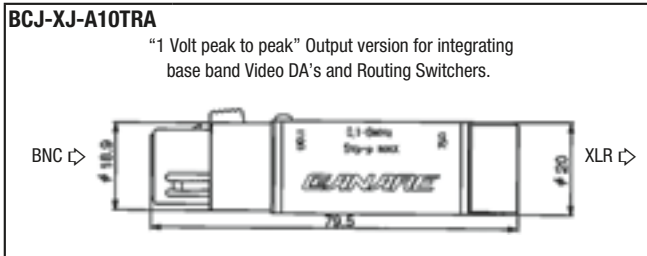
- Post production suites
- DAT routing
- Recording studios
- Digital audio tie lines



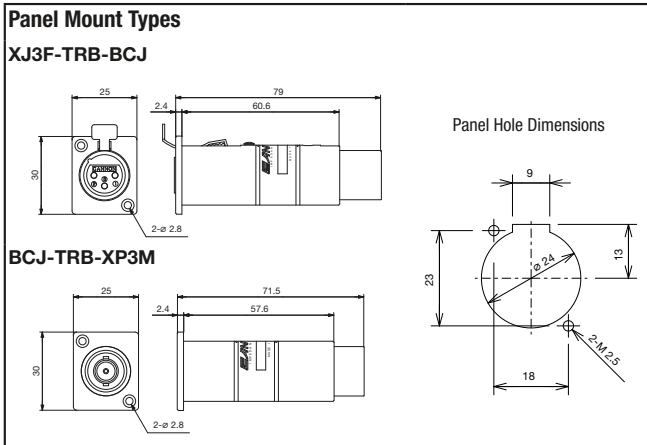
<b>XLR3 - Female</b>	<b>BNC Receptacle</b>
110Ω Input	75Ω Output



<b>BNC Receptacle</b>	<b>XLR3-Male</b>
75 Input	110 Output



<b>XLR3 - Female</b>	<b>BNC Receptacle</b>
110 Input	75 Output (at 1VP-P)
<b>10dB Attenuation Pad</b>	



Model	Description (Front - Back)	Flange Type
XJ3F-TRB-BCJ	XLR(F) - BNC	ITT XLR-F77
XJ3M-TRB-BCJ	XLR(M) - BNC	
BCJ-TRB-XP3F	BNC -XLR(F)	
BCJ-TRB-XP3M	BNC -XLR(M)	
XJ3F-A10TRA-BCJ	XLR(F) - BNC 10dB Pad	
BCJ-A10TRA-XP3F	BNC - XLR(F) 10dB Pad	

## Features

- SMPTE 276M & AES3 transmission standards
- Coaxial routing of 2 channel AES/EBU digital audio
- Permits longer cable runs vs 110Ω twisted pair
- Signal distribution: Canare video patchbays, routers & VDA's

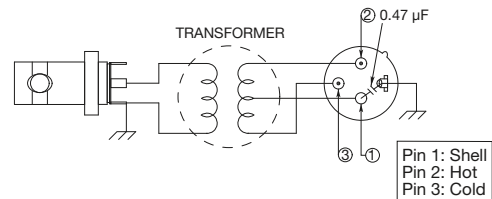


GENERAL SPECIFICATION	
Bandwidth	0.1 - 6MHz
Maximum Voltage	5V p-p
VSWR	Less than 1.1
Insertion Loss	Less than 0.3 dB

Canare Impedance Transformers allow 75Ω coaxial transmission of all 2 channel AES/EBU Digital Audio signals. Low cost and easy to use, our I/O adapters are designed to passively convert all standard AES/EBU digital audio signals from 110Ω/XLR3 Output (@ 4.5 Volts) to a 75Ω BNC coaxial cable and then back again to a 110Ω/XLR3 Input (200mV min). Also provides excellent rejection against hum and noise.

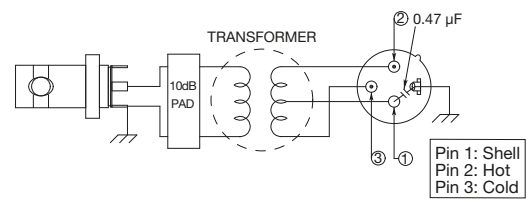
### BCJ-XJ-TRB / BCJ-XP-TRB

75 BNC (unbalanced)      110Ω XLR3 (balanced)



### BCJ-XJ-A10TRA

75 BNC (unbalanced)      110Ω XLR3 (balanced)



### 110Ω-75Ω Impedance Transformer: Input/Output Level Performance

AES/EBU Transmitter (V)	Transformer Out (V)
2.0	1.60
3.0	2.39
4.0	3.18
4.5	3.60
5.0	3.98
6.0	4.78
7.0	5.58
8.0	6.38
9.0	7.18
10.0	7.98

BCJ-XJ-TRB/BCJ-XP-TRB

AES/EBU Transmitter (V)	Transformer Out -10dB Pad (V)
2.0	0.50
3.0	0.75
4.0	1.01
4.5	1.13
5.0	1.26
6.0	1.51
7.0	1.76
8.0	2.02
9.0	2.27
10.0	2.52

BCJ-XJ-A10TRA