



Middle Atlantic Products

EXCEPTIONAL SUPPORT & PROTECTION™

BGR-SA-MDK Series Presentation Rack



EIA/TIA Compliant

Combines furniture elegance with a robust rolling steel enclosure.

Features

- Thermolaminate top available in 13 attractive finishes
- Provides more rackspace in a smaller overall height than similar racks
- Accepts patent-pending LeverLock™ tool free and hardware free internal device and cable management system accessories
- Fully welded construction provides UL Listed load capacity of 1,100 lbs.
- Rackrail depth indicators
- 1/2", 3/4", 1" & 1-1/2" electrical knockouts and 5/8" and 1/2" D UHF/VHF antennae knockouts on rear top & bottom, easily removable for cable pass-through.
- 2 pairs of 10-32 threaded rackrail with numbered rackspace increments
- Curved plexiglass front door and keylocked vented rear door standard with brush grommet cable entry
- Durable black textured powder coat finish
- UL Listed in the US and Canada



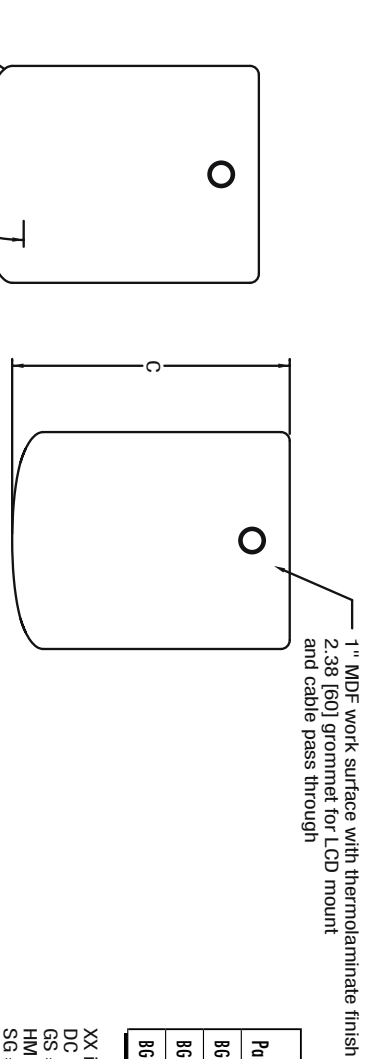
Architects' and Engineers' Specifications

EIA compliant 19" presentation equipment rack shall be Middle Atlantic Products model #BGR-__SA__MDK-__ (see chart for available models). Overall dimensions of BGR shall be __"H x 23"W x __"D (refer to chart). Useable height of BGR shall be __ rackspaces, useable depth shall be __" (refer to chart). BGR shall come equipped with two pairs of fully adjustable steel rackrail with tapped 10-32 mounting holes in universal EIA spacing, black e-coat finish and numbered rackspaces. BGR shall have .100" thick steel along rackrail brackets, .310" thick steel at corners. BGR shall include a locking and latching curved plexiglass front door. BGR shall include vented locking and latching rear door with brush grommet cable entry, and shall be capable of accepting up to six 4-1/2" low voltage fans. Top and bottom of BGR shall feature vertical slotted vent pattern for ventilation. BGR shall have two 1" x 7" rear obround knockouts with 1/2", 1", 1-1/4" and 1-1/2" electrical knockouts and 5/8" and 1/2" D UHF/VHF antennae knockouts in base and top. BGR shall include leveling feet. BGR shall have a 1" thick

thermolaminate top with __ finish (refer to chart). BGR shall include casters. BGR shall accept patent-pending LeverLock™ tool free and hardware free internal cable and device management system accessories. BGR shall have marked rackrail depth indicators. BGR shall be of fully welded construction. BGR shall be finished in an environmentally friendly, durable black powder coat. Grounding and bonding studs shall be 1/4-20 threaded, installed in base of enclosure. Fully welded construction shall provide a UL Listed load capacity of 1,100 lbs. BGR shall be UL Listed in the US and Canada. BGR shall be GREENGUARD Indoor Air Quality Certified for Children and Schools. BGR enclosure shall be RoHS EU Directive 2002 / 95 / EC compliant. BGR shall be manufactured by an ISO 9001 and ISO 14001 registered company. BGR enclosure shall be warranted to be free from defects in material or workmanship under normal use and conditions for the lifetime of the rack.

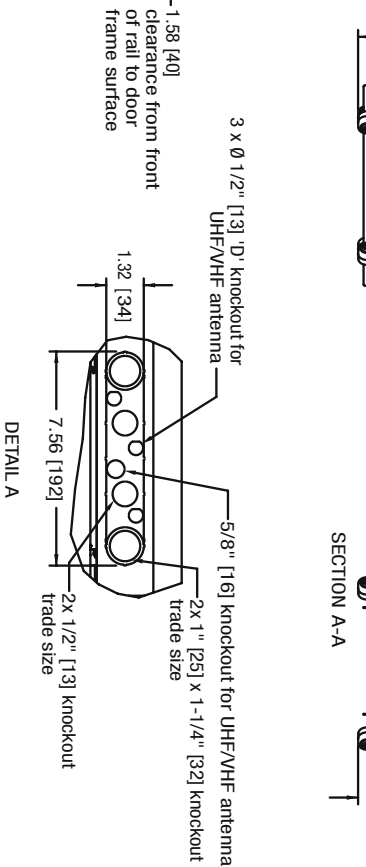
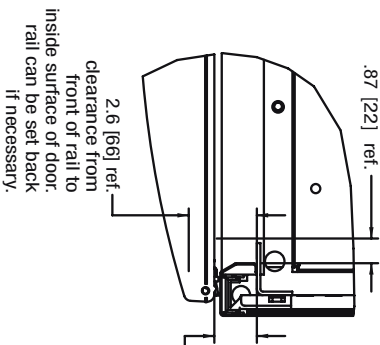
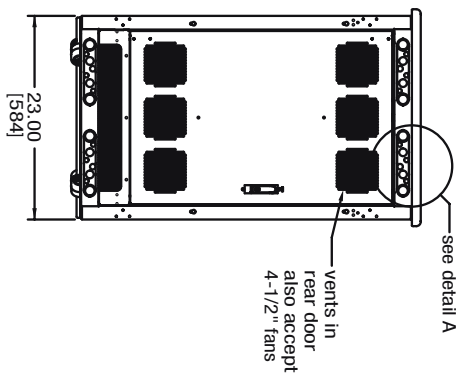
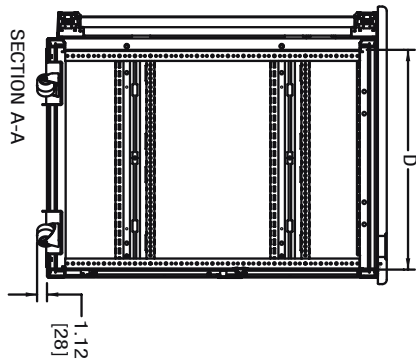
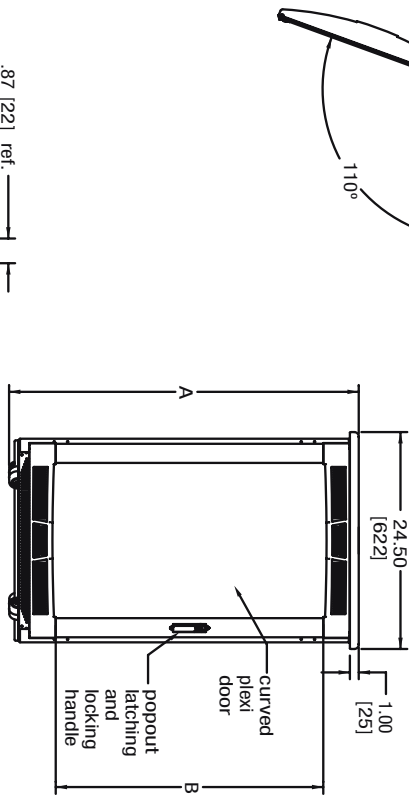
CUSTOMIZABLE SPECIFICATION CLIPS AVAILABLE AT MIDDLEATLANTIC.COM

BGR-SA-MDK Series basic dimensions



Part#	A Rack Height	B Useable Height	C Wood Top Depth	D Useable Depth
BGR-195A27MDK-XX	39.5 [1003]	33.25 [845] 19 spaces	31.35 [769]	24.40 [620]
BGR-255A27MDK-XX	50.0 [1270]	43.75 [1111] 25 spaces	31.35 [769]	24.40 [620]
BGR-255A32MDK-XX	50.0 [1270]	43.75 [1111] 25 spaces	36.35 [923]	29.40 [747]

XX indicates choice of color: AG = aged cherry;
DC = dark cherry; DP = dark pecan; DS = darkstone;
GS = graystone; EA = ebony ash; PS = pepperstone;
HM = honey maple; LW = light walnut; MP = maple;
SG = shark gray; SL = slate; WG = wenge



NOTES:
1) dimensions are shown in inches [millimeters]
2) useable depth is the max. equipment depth

