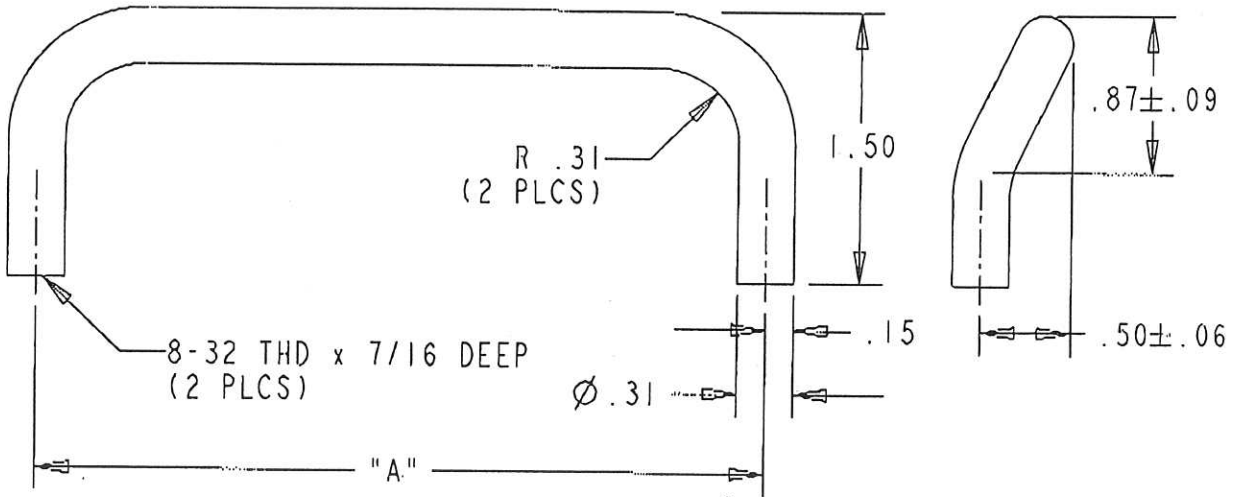


Carney P/N B17363-13

PART NUMBER

HH-30-*



Quote All sizes

KEITHLEY P/N	DIM "A"	MATERIAL	FINISH	VENDOR	VENDOR P/N
HH-30-1	6.00	BRASS	Chrome Plated Mirror finish or equiv.	Anatom	13227-B-0832-25A
HH-30-2	2.50			Promptus	Per Drw
HH-30-3	4.00			Unicorp	G1742-7
HH-30-4	10.00			Unicorp	G1842-8
HH-30-5	4.00	Aluminum	Anodize - Black (High Lustre)	Unicorp	G1745-4A
HH-30-6	6.00				G1805-4A
HH-30-7	3.00	Aluminum	Anodize - Black (High Lustre)	Unicorp	G1735-4A

ORIGINAL VENDOR: SEE TABLE

VENDOR P/N: SEE TABLE

LTR	REVISIONS	APP.	DATE	DRN.	#	DATE
A	11123	RB	3-18-86	CKD.	18	DATE 3-18-86
A1	ADDED -2 17986	MM	11-10-95	APP.		DATE
A2	ADDED -5 & -6 22704	PS	3/16/99			
A3	ADDED -7 25043					

HANDLE ROUND-OFFSET

PART NUMBER

HH-30-*

PART NUMBER

B17363

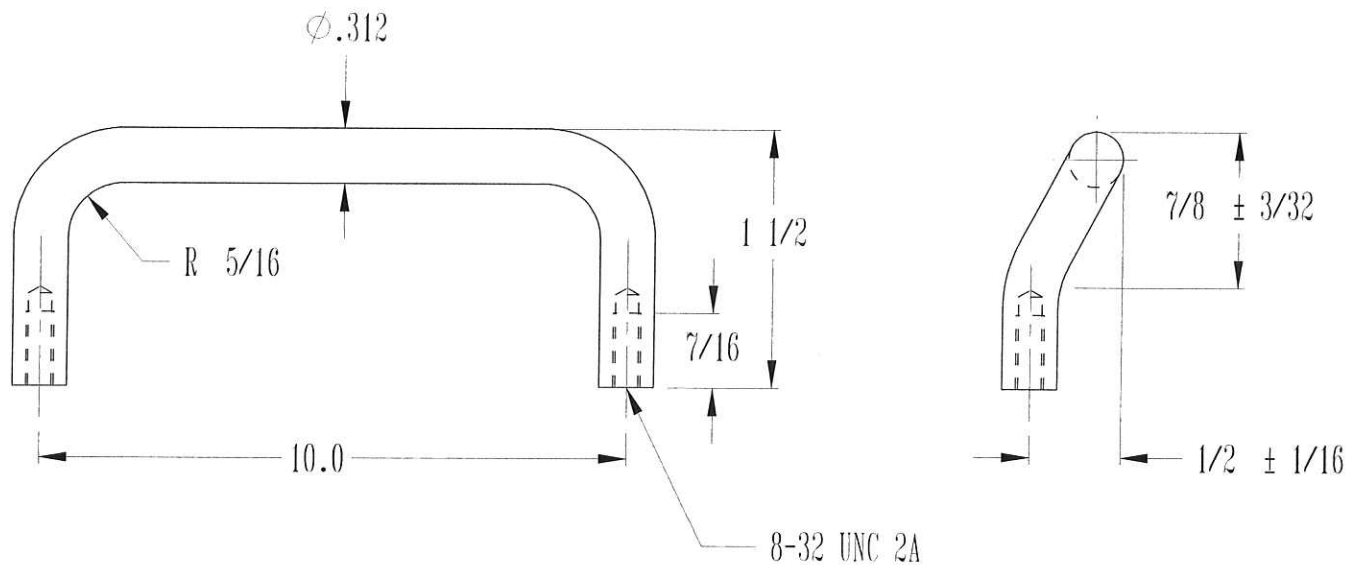
REV.
—

THIS DRAWING CONTAINS INFORMATION PROPRIETARY TO CAREY MANUFACTURING COMPANY, INC. ANY REPRODUCTION, DISCLOSURE OR USE OF THIS DRAWING IS EXPRESSLY PROHIBITED EXCEPT AS CAREY MANUFACTURING COMPANY, INC. MAY OTHERWISE AGREE IN WRITING.

DO NOT SCALE DRAWING

REVISIONS

MFG. NUMBER	MATERIAL	REV.	DESCRIPTION	DATE	BY
A17363	6061-T6 ALUMINUM, QQ-A-225/8				
B17363	360 ALLOY BRASS, QQ-B-626				
C17363	C12L14 C.F. STEEL, ASTM-A108				
S17363	TYPE 303 STAINLESS, QQ-S-764				



- 3) FINISH PER PURCHASE ORDER OR WORK ORDER.
 2) BREAK ALL SHARP EDGES .005 MIN.
 1) DIMENSIONS ARE IN INCHES UNLESS OTHERWISE SPECIFIED.

NOTES:

CAREY MANUFACTURING CO., INC.
 5 PASCO HILL ROAD CROMWELL, CT 06416
 PHONE (860) 829-1803 FAX (860) 829-1932

TOLERANCES EQUAL:

.XX $\pm .010$ ANGLES ± 1 DEG.
 .XXX $\pm .005$ FRAC. $\pm 1/64$

DATE 2-17-06

SCALE NONE

PART NAME

OFFSET-ROUND HANDLE

DRAWN BY CRB

REF.

PART NUMBER

B17363

REV.
—

SHEET 1 OF 1