

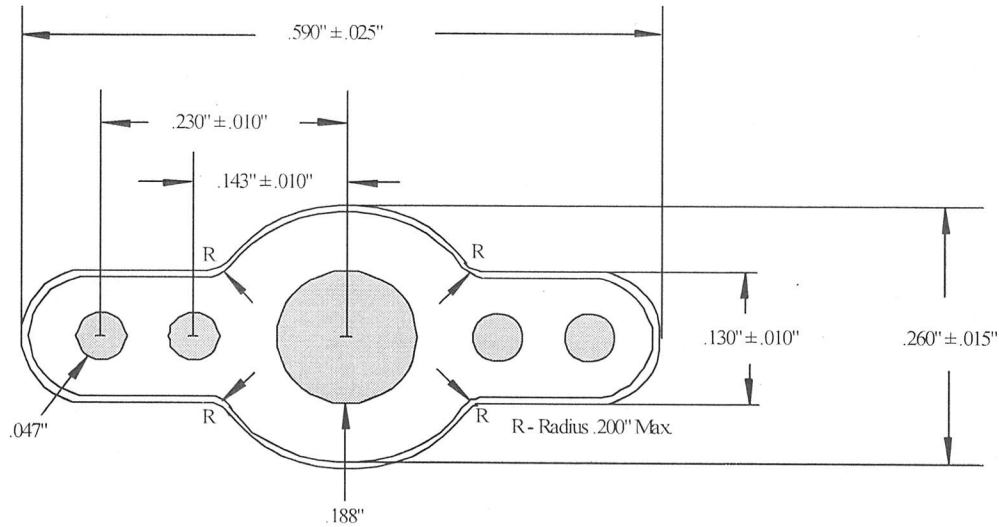
Description: Bin Sensor Cable
 Overall SR PVC Inner Jacket
 With Clear Nylon Outer Jacket

Date: 8/1/2011

JM Part Number: JM56296NYL

Reference: TBD

Cable Diagram



Note: Tolerances Apply Where Specified

Components

Component A: One 3/16" Galvanized Steel Cable (7 x 19 Strand Composition)	.188"
Component B: Four 3/64" Galvanized Steel Cable (7 x 7 Strand Composition)	.047"

Cable Construction

Cabling: One A component and Four B components pulled in parallel at Jacketing

Inner Jacket: SR PVC

Inner Jacket Dimensions: $.250'' \pm .015'' \times .580'' \pm .025''$

Outer Jacket: .005" nominal wall of Clear Nylon 6

Outer Jacket Dimensions: $.260'' \pm .015'' \times .590'' \pm .025''$

Print: None

*OK
 Nonschafer
 8/2/11*

Requirements

Testing

Spark Test, Continuity, 1,000VAC Hi-Pot

Written By:	rjc	8/1/2011	Rev. 0	Initial Issue
Revised By:	jrt	8/1/2011	1	Change insulation material from HDPE to SR PVC
Revised By:				
Revised By:				