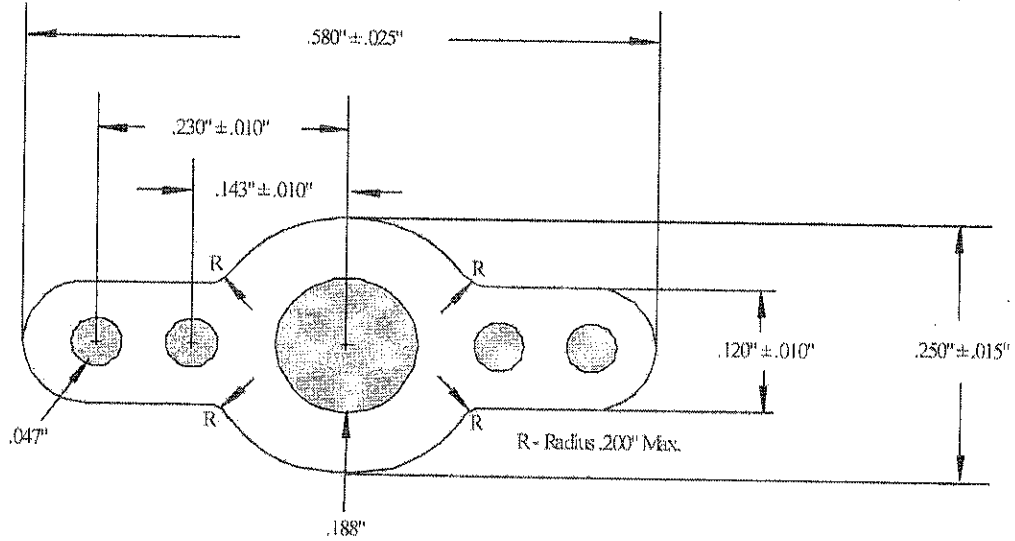


Description: Bin Sensor Cable  
Overall High Density Polyethylene Jacket

Date: 3/1/2011

JM Part Number: JM56296  
Reference: BSC05CB-N1

Cable Diagram



Note: Tolerances Apply Where Specified

Components

- Component A: One 3/16" Galvanized Steel Cable (7 x 19 Strand Composition) .188"
- Component B: Four 3/64" Galvanized Steel Cable (7 x 7 Strand Composition) .047"

Cable Construction

- Cabling: One A component and Four B components pulled in parallel at Jacketing
- Jacket: High Density Polyethylene, Natural (CP Pryme ® PE100HDC-8M)
- Overall Dimensions: .250" ± .015" x .580" ± .025"
- Print: None

Requirements

Jacket Properties  
Hardness (Shore): 65 D (per ASTM D-2240)  
Flexural Modulus (psi): 185,000 (per ASTM D-790, Tangent method)

Testing  
Spark Test, Continuity, 1,000VAC Hi-Pot

*OK P/B 5/3/11*

Written By:	rjc	3/1/2011	Rev. 0	Initial Issue
Revised By:	scs	3/15/2011	Rev. 1	Added JM Number, Revised Reference Number
Revised By:	rjc	4/14/2011	Rev. 2	Added tolerances specified by customer
Revised By:	rjc	5/3/2011	Rev. 3	Added Radius Information