

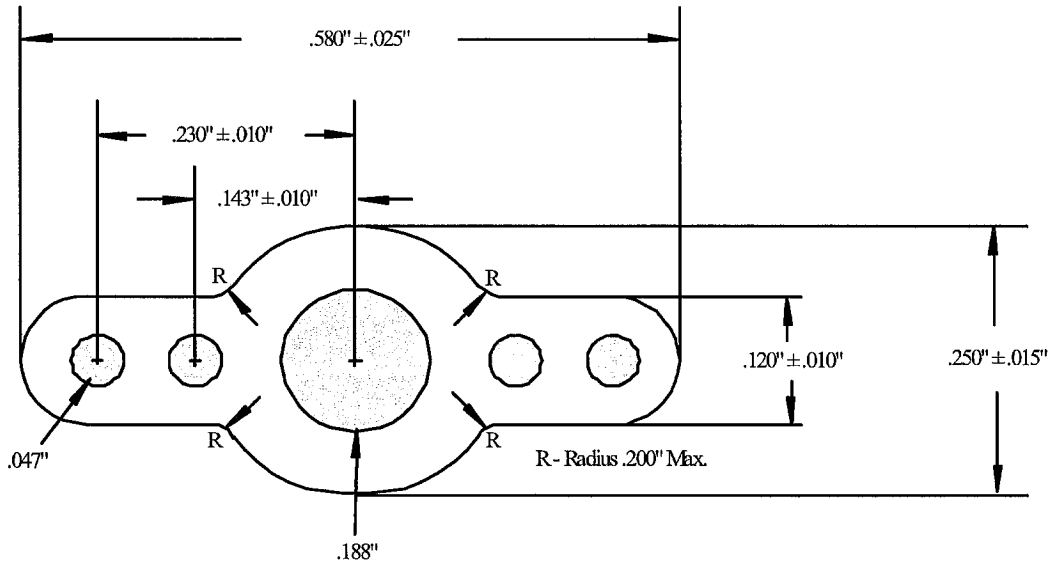
Description: Bin Sensor Cable
 Overall High Density Polyethylene Jacket

Date: 11/20/2014

JM Part Number: JM57342

Reference: TBD

Cable Diagram



Note: Tolerances Apply Where Specified

Components

Component A: One 3/16" Galvanized Steel Cable (7 x 19 Strand Composition) .188"

Component B: Four 3/64" Galvanized Steel Cable (1 x 19 Strand Composition) .047"

Cable Construction

Cabling: One A component and Four B components pulled in parallel at Jacketing

Jacket: High Density Polyethylene, Natural (CP Pryme © PE100HDC-8M)

Overall Dimensions: .250" ± .015" x .580" ± .025"

Print: None

Requirements

Jacket Properties

Testing

Hardness (Shore): 65 D (per ASTM D-2240)
Flexural Modulus (psi): 185,000 (per ASTM D-790, Tangent method)

Spark Test, Continuity, 1,000VAC Hi-Pot

MBS

Revised By:	ajd	11/20/2014	Rev. 0	Initial Issue - Same as JM56296-HDP except 19 strand 3/64"
Revised By:				
Revised By:				
Revised By:				