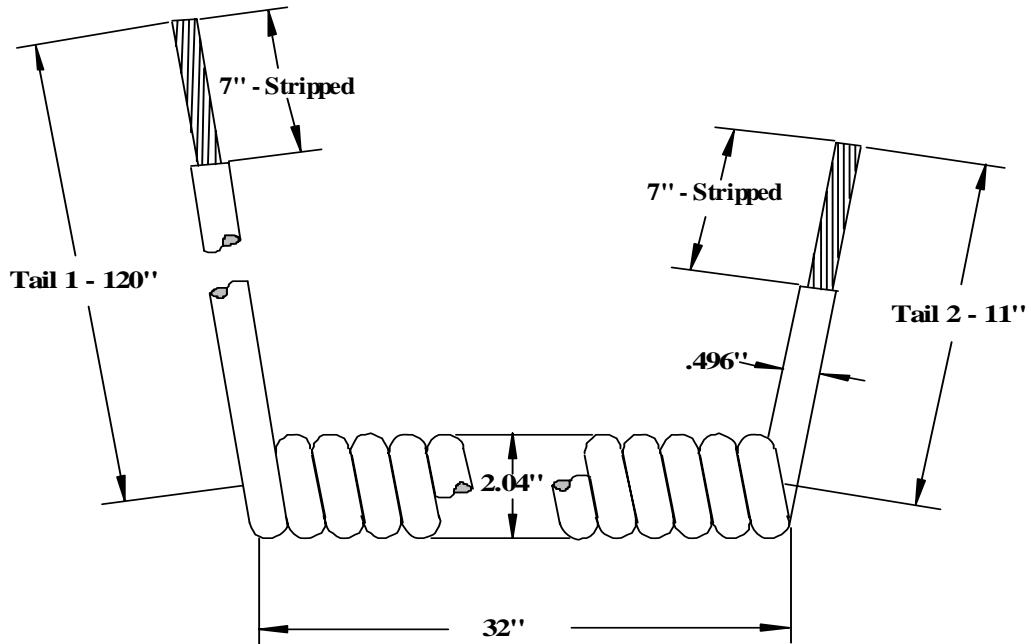


Description: Seven 16 AWG Insulated Conductors
Overall Hytrel® Jacket

Date: 12/16/2014

JM Part Number: JM57358-CCA
Reference: TBD

Cable Assembly



Components Seven 16 AWG Insulated Conductors

Conductors: 16 AWG, 26/30 bare copper
Insulation: .030" nominal wall of TPE (see Color Code) .118"

Overall Cable

Cabling: Core: One Conductor Blue
Layer 1: Six Conductors
Separator: Tissue tape
Jacket: .065" nominal wall of Black Hytrel® .484" (nominal)

Indent Print

E66440 AWM 21270 105C 600V

Color Code

- | | |
|-----------|----------|
| 1. Blue | 5. Red |
| 2. White | 6. Green |
| 3. Black | 7. Brown |
| 4. Yellow | |

Coil Requirements

Retracted Coil Length: 32 inches
Extended Length: 18 feet
Nominal Coil Diameter: 2.04 inches
Tail 1 Length: 120 in. from center line of coil (7 in. Stripped)
Tail 2 Length: 11 in. from center line of coil (7 in. Stripped)

Requirements

Temperature: -40°C to 105°C
Voltage: 600V
Approvals: UL AWM Style 21270
CSA/cRU AWM Pending

Revised By:	rjb	12/16/2014	Rev. 0	Initial Issue
Revised By:				
Revised By:				
Revised By:				