

## Front-Loading Media Holders

Store CDs, DVDs, and other recorded media in our rackmount media holders. Partitioned to prevent the contents from tipping, each model features a 16-gauge flanged aluminum face and has a black brushed and anodized or a textured black powder coat finish. All stored media protrudes 3/8" to allow quick retrieval.



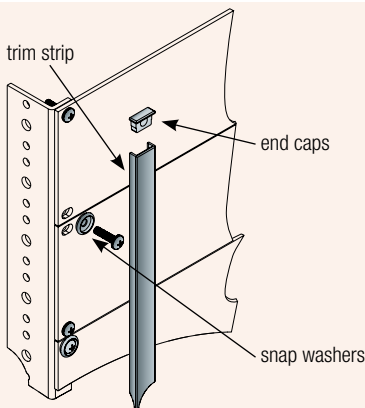
DVD holder accommodates DVDs; PS3®, Xbox 360®, Wii® games; Blu-ray®, HD-DVD, DVD-Audio media



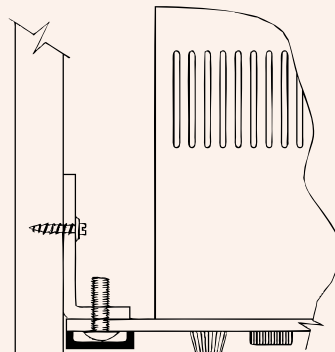
| Black Anodized Part # | Black Textured Part # | Fits  | Racking Height   | Depth  |
|-----------------------|-----------------------|---|------------------|--------|
| DVD                   | –                     | 28 DVDs; PS3®, Xbox 360®, Wii® games; Blu-ray®, HD-DVD, DVD-Audio media | 8-3/4" (5 space) | 5-1/2" |
| CD                    | TCD                   | 40 compact discs, SA-CD   | 7" (4 space)     | 5-3/4" |
| CD-1                  | –                     | 6 CDs   | 1-3/4" (1 space) | 5-1/2" |

## Trim Strips

As a final aesthetic complement to any installation, add our finishing trim strips. A quick, clean and effective method of covering rack screws once the job is complete. Each channel-shaped trim strip measures 45 spaces (78-3/4" long), and features internal grooves that fit into the supplied snap washers. Offered in black brushed and anodized or black powder coat finish, trim strips are cut easily to size with a hacksaw. Sold in individual strips.



TA/TS mounting method



trim strip profile (top view)



without trim strip installed



with trim strip installed

| Part # | Finish                   | Includes  |
|--------|--------------------------|---|
| TA     | black brushed & anodized | mounting screws (16), snap washers (16), end caps (8) |
| TS     | black powder coat        | mounting screws (16), snap washers (16), end caps (8) |

# RSH Series Custom Face Rackmounts

## The Professional's Choice for Mounting and Trimming Non-Rackmount Components



Installation by Intra Home Systems



EIA/TIA Compliant



Spec. #  
**96-034**  
for full  
product  
info.  
**ABE**  
(Component)

Spec. #  
**96-999**  
for full  
product  
info.  
**ABE**  
(LCD)

With the innovative RSH custom rackmounts, virtually any component can be installed in a standard 19" enclosure without modification.

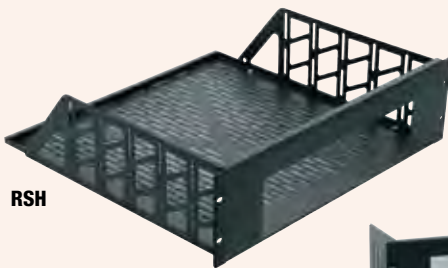
Custom cut to provide a perfect opening for the face of the component that is being mounted, each RSH unit provides a neatly-trimmed installation with a perfect fit and no gaps. With accurate details on over 9,500 components in our measured unit database, chances are we have the component needed on file.

Unit assembles easily in minutes and includes rear brackets to prevent the mounted component from sliding back. Fully ventilated ears and bottom promote cooling. Depending on the needs of the installation, the units can be ordered with a black textured finish (model RSH4S) or a black brushed and anodized finish (model RSH4A). Bottom depths are automatically provided in 11-1/2", 14", 15-1/2", 17-1/2", or 20-1/2" styles. Custom rackmounts will accept any component up to 17-3/4" wide. Individual custom faces (less rack ears and shelf bottom) are also available in a black textured finish (model SFACE) or a black brushed and anodized finish (model AFACE). LCD rackmounts also available to mount most LCD monitors with up to a 17" screen size or with a maximum width of 17-3/8".

NOTE: custom rackshelf height is specified at the factory based on physical restrictions. Visit [middleatlantic.com](http://middleatlantic.com) to find heights on all measured components, or design the system in RackTools® or Visio® Blocks, which are both updated regularly with the latest components.

RSH Series Custom Face Rackmounts

| Part# & Finish                                | Matching Finish                   | Pg. |
|---|-----------------------------------|-----|
| <b>RSH4A</b><br>black brushed<br>and anodized | QFP Quiet Fan Panels              | 121 |
|   | FP Fan Panels                     | 121 |
|   | TA Trim Strip                     | 147 |
|   | Media Holders (CD, CD-1, DVD)     | 147 |
|   | D Series Rack Drawers             | 148 |
|   | VTP, EVTA Ventilation Panels      | 166 |
|   | BL, HBL Blank Panels              | 167 |
| <b>RSH4S</b><br>black textured<br>powder coat | QTFP Quiet Fan Panels             | 121 |
|   | TFP Fan Panels                    | 121 |
|   | TS Trim Strip                     | 147 |
|   | Media Holders (TCD)               | 147 |
|   | TD Series Rack Drawers            | 148 |
|   | VT, EVT Ventilation Panels (flat) | 166 |
|   | SB Blank Panels                   | 167 |



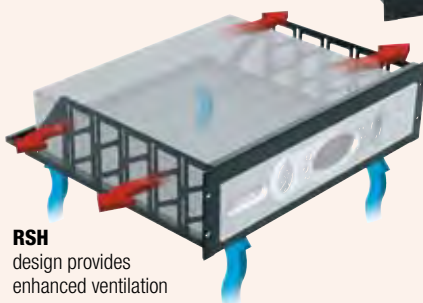
RSH



See pg. 146 for custom rackshelves for media docks



RSH  
LCD mounts



RSH  
design provides  
enhanced ventilation



PD-815SC-PBSH  
rear mount power  
option available



Click for quick access to measured unit database



Database now includes iPad® docks.

