

SPECIFICATIONS:

Pressure rating:

150 PSIG (10 BAR) NEMA 4X and 6
(Submersible) IP68

Materials:

Body, Dome Nut: Nickel plated brass

Spring (Flex extension): Stainless Steel

Splined Bushing: Nylon 6/6

Form Seal & O-Ring: Buna-N (Viton® optional)

Operating Temperature:

-40°F to 212°F (-40°C to 100°C)

Short term exposure: 248°F (120°C)

Note 1: To Substitute a different thread type replace the 5th position with the following: "A" PG Thread, "N" NPT Thread, "M" Metric Thread. e.g. CD09N1-BK becomes CD09A1-BK.

Note 2: Not available in Nickel Plated Brass with NPT Threads

To Specify Non-Listed Parts:

• **Strain Relief Fittings with Flex Nut**

Substitute "F" for "D" e.g. CD09N1-BK becomes CF09N1-BK.

• **Snap Elbow Fittings with Dome Nut**

Substitute "E" for "C" e.g. CD09N1-BK becomes ED09N1-BK.

• **Snap Elbow Fittings with Flex Nut**

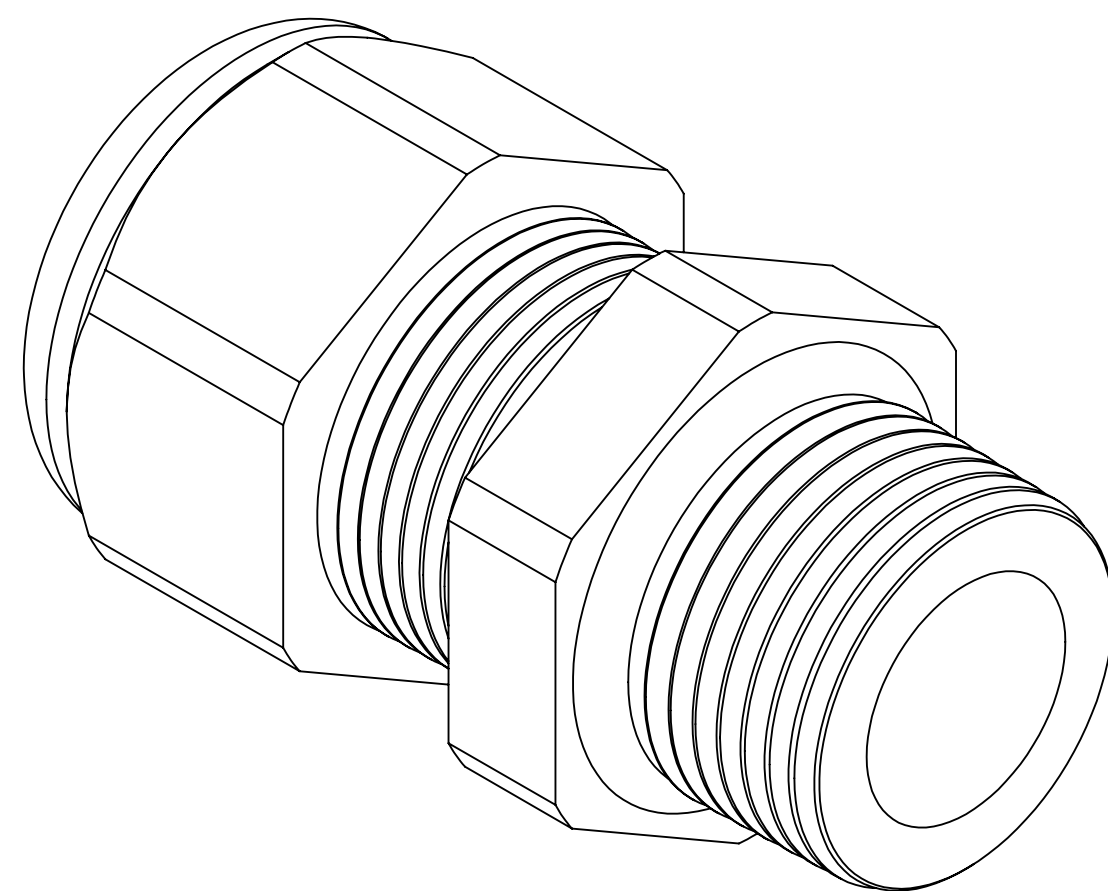
Substitute "EF" for "CD" e.g. CD09N1-BK becomes EF09N1-BK.

• **Nickel Plated Brass Strain Relief Fittings**

Substitute "BR" for "BK" e.g. CD09N1-BK becomes CD09N1-BR.

• **Gray Strain Relief Fittings**

Substitute "GY" for "BK" e.g. CD09N2-BK becomes CD09N2-GY.



PART NUMBERS NYLON DOME FITTINGS	THREAD TYPE AND SIZE For thread specs see page 29	SEAL INSERTS/SEAL INSERTS			
		No. of Holes	Diameter of Holes		Part Numbers of Inserts Only
			mm	Inches	
CD07AP-BK	PG 7 1/4" NPT	Solid Plug		1.089.0799.19	
CD12MP-BK	M12 x 1.5	Solid Plug		1.089.0799.19	
CD09N1-BK	3/8" NPT PG 9 M16 x 1,5 (Note 1)	4	1.4	.06	1.089.0900.19
CD09N2-BK		2	3.0	.12	1.089.0901.19
CD09N3-BK		5	1.6	.06	1.089.0902.19
CD09N4-BK		2	1.7	.07	1.089.0903.19
CD09N5-BK		10	1.4	.06	1.089.0904.19
CD09N6-BK		6	1.4	.06	1.089.0905.19
CD09N7-BK		3	1.7	.07	1.089.0906.19
CD09N8-BK		4	1.7	.07	1.089.0907.19
CD09N9-BK		4	2.3	.09	1.089.0908.19
CD09NP-BK		Solid Plug		1.089.0999.19	
CD11A1-BK	PG 11	3	3.0	.12	1.089.1100.19
CD11A2-BK		2	3.0	.12	1.089.1101.19
CD11A3-BK		3	4.0	.16	1.089.1102.19
CD11A4-BK		3	1.5	.06	1.089.1103.19
CD11A5-BK		4	2.8	.11	1.089.1104.19
CD11AP-BK	Solid Plug		1.089.1199.19		
CD13N1-BK	1/2" NPT PG 13.5 M20 x 1,5 (Note 1)	3	2.0	.08	1.089.1300.19
CD13N2-BK		6	3.0	.12	1.089.1301.19
CD13N3-BK		3	4.0	.16	1.089.1302.19
CD13N4-BK		2	5.0	.20	1.089.1303.19
CD13N5-BK		3	3.0	.12	1.089.1304.19
CD13N6-BK		2	5.2	.20	1.089.1305.19
CD13N7-BK		2	3.8	.15	1.089.1306.19
CD13N8-BK		2	4.2	.17	1.089.1307.19
CD13N9-BK		2	2.5	.10	1.089.1308.19
CD13NP-BK		Solid Plug		1.089.1399.19	
CD16N1-BK	1/2" NPT PG 16 M22 x 1,5 (Notes 1 & 2)	3	3.0	.12	1.089.1600.19
CD16N2-BK		3	4.0	.16	1.089.1601.19
CD16N3-BK		4	4.0	.16	1.089.1602.19
CD16N4-BK		5	4.0	.16	1.089.1603.19
CD16N5-BK		6	4.0	.16	1.089.1604.19
CD16N6-BK		2	6.0	.24	1.089.1605.19
CD16N7-BK		3	5.6	.22	1.089.1606.19

PART NUMBERS NYLON DOME FITTINGS	THREAD TYPE AND SIZE For thread specs see page 29	SEAL INSERTS			
		No. of Hole	Diameter of Holes		Part Numbers of Inserts Only
			mm	Inches	
CD16N8-BK	1/2" NPT PG 16 (Notes 1 & 2)	6	3.0	.12	1.089.1607.19
CD16N9-BK		4	3.0	.12	1.089.1610.19
CD16N0-BK	Solid Plug	6	3.8	.15	1.089.1609.19
CD16NP-BK		Solid Plug		1.089.1699.19	
CD21N1-BK	3/4" NPT M25 x 1,5 PG 21 (Note 1)	4	6.0	.24	1.089.2100.19
CD21N2-BK		3	7.0	.28	1.089.2101.19
CD21N3-BK		2	8.0	.31	1.089.2102.19
CD21N4-BK		4	5.0	.20	1.089.2103.19
CD21N5-BK		1	8.0	.31	1.089.2104.19
CD21N6-BK		4	5.2	.20	1.089.2105.19
CD21N7-BK		3	5.2	.20	1.089.2106.19
CD21N8-BK		4/1	5.2/3.7	.20/.15	1.089.2107.19
CD21N9-BK		2	7.4	.29	1.089.2108.19
CD21NP-BK		Solid Plug		1.089.2199.19	
CD29N1-BK	1" NPT M32 x 1,5 PG 29 (Note 1)	6	6.5	.26	1.089.2900.19
CD29N2-BK		4	9.0	.35	1.089.2901.19
CD29N3-BK	Solid Plug	4	9.5	.37	1.089.2902.19
CD29NP-BK		Solid Plug		1.089.2999.19	
CD29L1-BK	1-1/4" NPT	6	6.5	.26	1.089.2900.19
CD29L2-BK		4	9.0	.35	1.089.2901.19
CD29L3-BK		4	9.5	.37	1.089.2902.19
CD29LP-BK		Solid Plug		1.089.2999.19	
CD36N1-BK		1-1/2" NPT PG 36 M40 x 1,5 (Note 1)	5	9.0	.35
CD36N2-BK	7		9.0	.35	1.089.3601.19
CD36N3-BK	6		8.0	.31	1.089.3602.19
CD36N4-BK	2		15.0	.59	1.089.3603.19
CD36NP-BK	Solid Plug		1.089.3699.19		
CD42A1-BK	PG 42 M50 x 1,5	3	14.0	.55	1.089.4203.19
CD42AP-BK		Solid Plug		1.089.4299.19	
CD48A1-BK	PG 48 M63 x 1,5	8	10.0	.39	1.089.4800.19
CD48A2-BK		6	12.0	.47	1.089.4801.19
CD48A3-BK		3	18.0	.71	1.089.4802.19
CD48AP-BK		Solid Plug		1.089.4899.19	

NOTES:

- 1) GENERAL DIMENSIONS DRAWINGS.
- 2) DIMENSIONS [] ARE IN INCHES.
- 3) DIMENSIONS NOTED ARE FOR REFERENCE ONLY.

Third angle projection

14853 HINDSDALE AVE, SUITE D
CENTENNIAL, CO 80112-4240, USA
TEL: +1-303-699-1135
TOLL FREE: +1-800-456-9012
E MAIL: info@sealconusa.com,
WEBSITE: www.sealconusa.com