

SPECIFICATIONS:

Pressure rating:

150 PSIG (10 BAR) NEMA 4x and 6
(Submersible) IP 68

Materials:

Body & Dome Nut: Nylon 6/6
Form Seal: Buna-N
Optional O-Ring: Buna-N

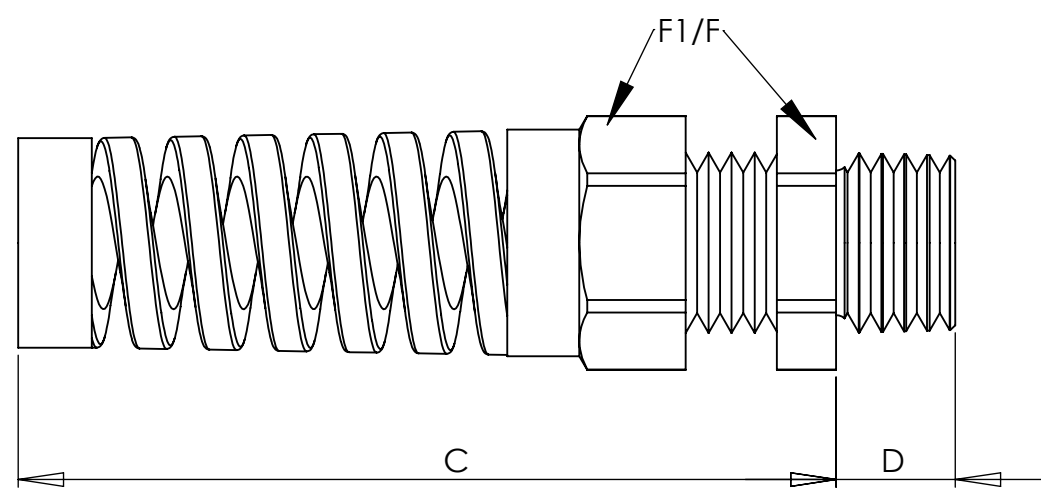
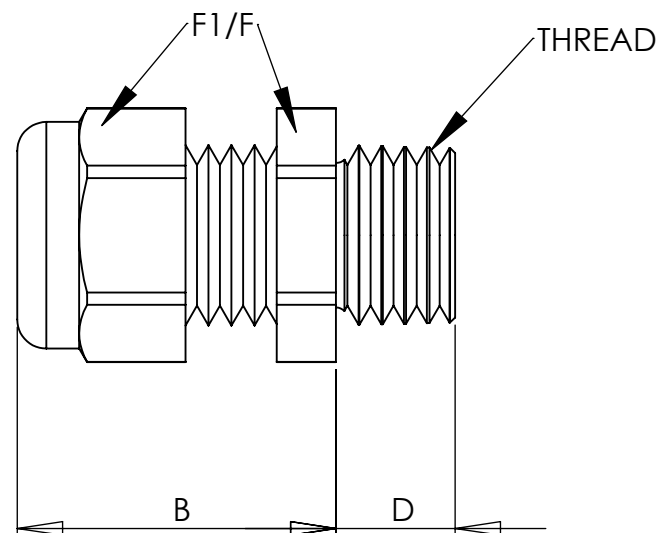
Operating Temperature:

-40°F to 212°F (-40°C to 100°C)
Short Term: 248°F (120°C)

PART NUMBERS

DIMENSIONS INCHES (MM)

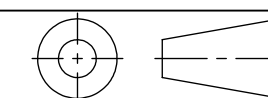
Dome Fittings		Flex Fittings		CABLE RANGE inches (mm)	THREAD TYPE AND SIZE For thread specs see page 29	A Clearance Hole $+0.10^{+0.25}$ 0	B Body Length Dome	C Body Length Flex	D Thread Length	F1/F Wrenching Flats
Black	Gray	Black	Gray							
CD12MA-BK CD12MR-BK	CD12MA-GY CD12MR-GY	CF12MA-BK CF12MR-BK	CF12MA-GY CF12MR-GY	.11 - .26 (3 - 6.5) .08 - .20 (2 - 5)	M12 x 1,5	.47 (12)	.83 (21)	2.13 (54)	.31 (8)	.59 (15)
CD16MA-BK CD16MR-BK	CD16MA-GY CD16MR-GY	CF16MA-BK CF16MR-BK	CF16MA-GY CF16MR-GY	.16 - .31 (4 - 8) .08 - .24 (2 - 6)	M16 x 1,5	.63 (16)	.87 (22)	2.48 (63)	.31 (8)	.75 (19)
CD17MA-BK CD17MR-BK	CD17MA-GY CD17MR-GY	CF17MA-BK CF17MR-BK	CF17MA-GY CF17MR-GY	.20 - .39 (5 - 10) .11 - .27 (3 - 7)	M16 x 1,5	.63 (16)	.98 (25)	3.07 (78)	.31 (8)	.87 (22)
CD20MA-BK CD20MR-BK	CD20MA-GY CD20MR-GY	CF20MA-BK CF20MR-BK	CF20MA-GY CF20MR-GY	.24 - .47 (6 - 12) .20 - .35 (5 - 9)	M20 x 1,5	.79 (20)	1.06 (27)	3.54 (90)	.35 (9)	.94 (24)
CD22MA-BK CD22MR-BK	CD22MA-GY CD22MR-GY	CF22MA-BK CF22MR-BK	CF22MA-GY CF22MR-GY	.39 - .55 (10 - 14) .27 - .47 (7 - 12)	M20 x 1,5	.79 (20)	1.10 (28)	3.94 (100)	.35 (9)	1.06 (27)
CD25MA-BK CD25MR-BK	CD25MA-GY CD25MR-GY	CF25MA-BK CF25MR-BK	CF25MA-GY CF25MR-GY	.51 - .71 (13 - 18) .35 - .63 (9 - 16)	M25 x 1,5	.98 (25)	1.22 (31)	4.49 (114)	.43 (11)	1.30 (33)
CD32MA-BK CD32MR-BK	CD32MA-GY CD32MR-GY			.71 - .98 (18 - 25) .51 - .79 (13 - 20)	M32 x 1,5	1.26 (32)	1.53 (39)	--	.43 (11)	1.65 (42)
CD40MA-BK CD40MR-BK	CD40MA-GY CD40MR-GY			.87 - 1.26 (22 - 32) .79 - 1.02 (20 - 26)	M40 x 1,5	1.57 (40)	1.89 (48)	--	.51 (13)	2.09 (53)
CD50MA-BK CD50MR-BK	CD50MA-GY CD50MR-GY			1.26 - 1.50 (32 - 38) .98 - 1.22 (25 - 31)	M50 x 1,5	1.97 (50)	1.93 (49)	--	.51 (13)	.51 (13)
CD63MA-BK CD63MR-BK	CD63MA-GY CD63MR-GY			1.46 - 1.73 (37 - 44) 1.14 - 1.38 (29 - 35)	M63 x 1,5	2.48 (63)	1.93 (49)	--	.55 (14)	2.56(65)/ 2.68(68) 2.56(65)/ 2.68(68)



NOTES:

- 1) GENERAL DIMENSIONS DRAWINGS.
- 2) DIMENSIONS [] ARE IN INCHES.
- 3) DIMENSIONS NOTED ARE FOR REFERENCE ONLY.

Third angle projection



14853 HINDSDALE AVE, SUITE D
CENTENNIAL, CO 80112-4240, USA
TEL: +1-303-699-1135
TOLL FREE: +1-800-456-9012
E MAIL: info@sealconusa.com,
WEBSITE: www.sealconusa.com

