

Front-Loading Media Holders

Store CDs, DVDs, and other recorded media in our rackmount media holders. Partitioned to prevent the contents from tipping, each model features a 16-gauge flanged aluminum face and has a black brushed and anodized or a textured black powder coat finish. All stored media protrudes 3/8" to allow quick retrieval.



DVD



CD



CD-1

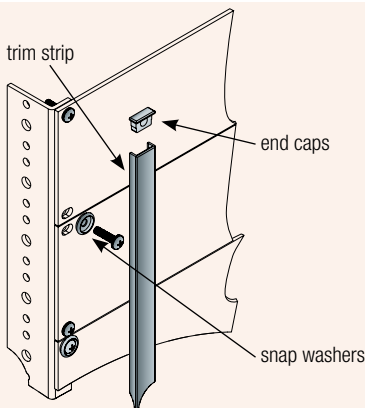
DVD holder accommodates DVDs; PS3®, Xbox 360®, Wii® games; Blu-ray®, HD-DVD, DVD-Audio media



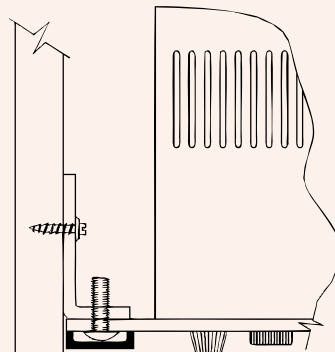
Black Anodized Part #	Black Textured Part #	Fits	Racking Height	Depth
DVD	–	28 DVDs; PS3®, Xbox 360®, Wii® games; Blu-ray®, HD-DVD, DVD-Audio media	8-3/4" (5 space)	5-1/2"
CD	TCD	40 compact discs, SA-CD	7" (4 space)	5-3/4"
CD-1	–	6 CDs	1-3/4" (1 space)	5-1/2"

Trim Strips

As a final aesthetic complement to any installation, add our finishing trim strips. A quick, clean and effective method of covering rack screws once the job is complete. Each channel-shaped trim strip measures 45 spaces (78-3/4" long), and features internal grooves that fit into the supplied snap washers. Offered in black brushed and anodized or black powder coat finish, trim strips are cut easily to size with a hacksaw. Sold in individual strips.



TA/TS mounting method



trim strip profile (top view)



without trim strip installed



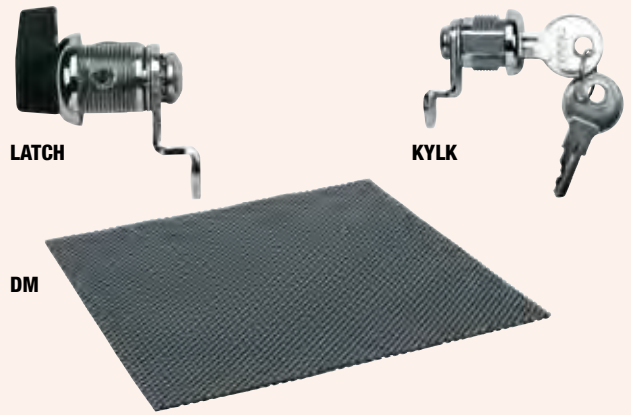
with trim strip installed

Part #	Finish	Includes
TA	black brushed & anodized	mounting screws (16), snap washers (16), end caps (8)
TS	black powder coat	mounting screws (16), snap washers (16), end caps (8)

Rackmount Storage

Drawer Accessories

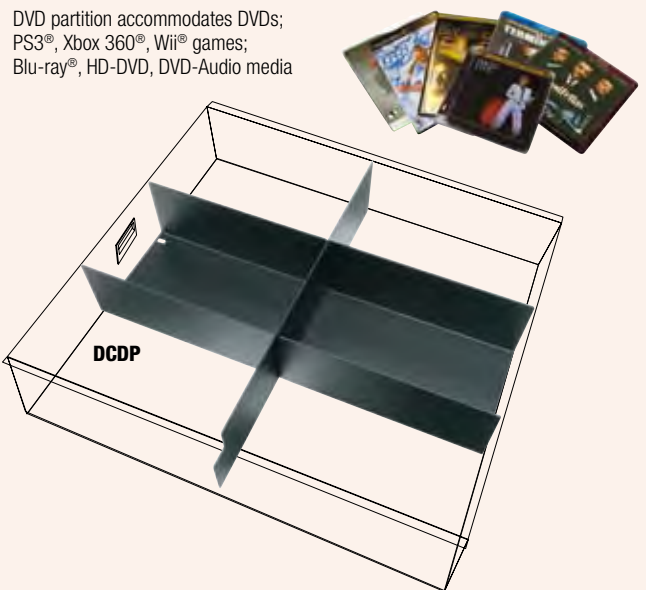
Part #	Description
LATCH	user installed UD latch
KYLK	user installed UD keylock
ACC-KEY	additional set of keys for drawers and LBX
DM	no-slip drawer mat



Media Partitions for D, TD, and UD Series Drawers

Partition your D, TD, and UD Series drawers for media storage. Featuring a snap-together fit, these partitions are also handy for small parts and misc. hardware.

Part #	Fits	Accommodates
DCDP	D4, TD4, UD4	103 CDs, SA-CD
DVDP	D4, TD4, UD4	40 DVDs; PS3®, Xbox 360®, Wii® games; Blu-ray®, HD-DVD, DVD-Audio media



Lockboxes

Safely secure gear in a rackmount LBX Series lockbox. 9" depth and 17" interior width, 3 and 4 space models are offered with a durable black powder coat finish.

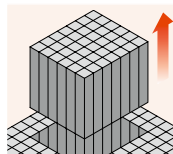
Part #	Racking Height	Depth
LBX-3	5-1/4" (3 space)	9"
LBX-4	7" (4 space)	9"



Customizable Foam Inserts

Customizable foam inserts can be modified to hold any accessory tightly in place. Protects sensitive equipment and tools from shifting or becoming damaged when drawers are opened and closed. Fits any Middle Atlantic Products drawer.

Part #	Description
FI-2	customizable foam insert, fits 2 space drawer
FI-3	customizable foam insert, fits 3 space drawer
FI-4	customizable foam insert, fits 4 space drawer



foam sections removable to fit snug against sensitive tools and equipment



RSH Series Custom Face Rackmounts

The Professional's Choice for Mounting and Trimming Non-Rackmount Components



Installation by Intra-Home Systems



EIA/TIA Compliant



Spec. #
96-034
for full
product
info.
ABE
(Component)

Spec. #
96-999
for full
product
info.
ABE
(LCD)

With the innovative RSH custom rackmounts, virtually any component can be installed in a standard 19" enclosure without modification.

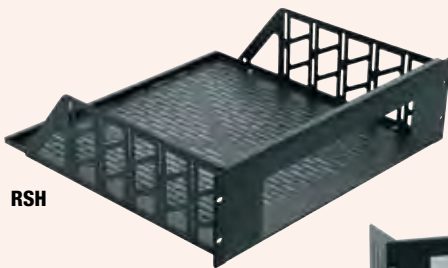
Custom cut to provide a perfect opening for the face of the component that is being mounted, each RSH unit provides a neatly-trimmed installation with a perfect fit and no gaps. With accurate details on over 9,500 components in our measured unit database, chances are we have the component needed on file.

Unit assembles easily in minutes and includes rear brackets to prevent the mounted component from sliding back. Fully ventilated ears and bottom promote cooling. Depending on the needs of the installation, the units can be ordered with a black textured finish (model RSH4S) or a black brushed and anodized finish (model RSH4A). Bottom depths are automatically provided in 11-1/2", 14", 15-1/2", 17-1/2", or 20-1/2" styles. Custom rackmounts will accept any component up to 17-3/4" wide. Individual custom faces (less rack ears and shelf bottom) are also available in a black textured finish (model SFACE) or a black brushed and anodized finish (model AFACE). LCD rackmounts also available to mount most LCD monitors with up to a 17" screen size or with a maximum width of 17-3/8".

NOTE: custom rackshelf height is specified at the factory based on physical restrictions. Visit middleatlantic.com to find heights on all measured components, or design the system in RackTools® or Visio® Blocks, which are both updated regularly with the latest components.

RSH Series Custom Face Rackmounts

Part# & Finish	Matching Finish	Pg.
RSH4A black brushed and anodized	QFP Quiet Fan Panels	121
	FP Fan Panels	121
	TA Trim Strip	147
	Media Holders (CD, CD-1, DVD)	147
	D Series Rack Drawers	148
	VTP, EVTA Ventilation Panels	166
	BL, HBL Blank Panels	167
RSH4S black textured powder coat	QTFP Quiet Fan Panels	121
	TFP Fan Panels	121
	TS Trim Strip	147
	Media Holders (TCD)	147
	TD Series Rack Drawers	148
	VT, EVT Ventilation Panels (flat)	166
	SB Blank Panels	167



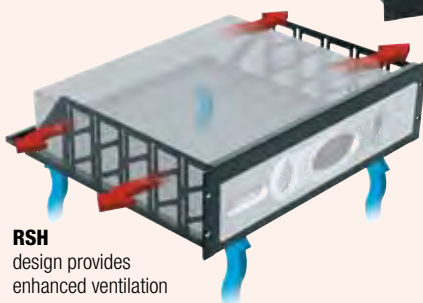
RSH



See pg. 146 for custom rackshelves for media docks



RSH
LCD mounts



RSH
design provides
enhanced ventilation



PD-815SC-PBSH
rear mount power
option available



Click for quick access to measured unit database



Database now includes iPad® docks.

