
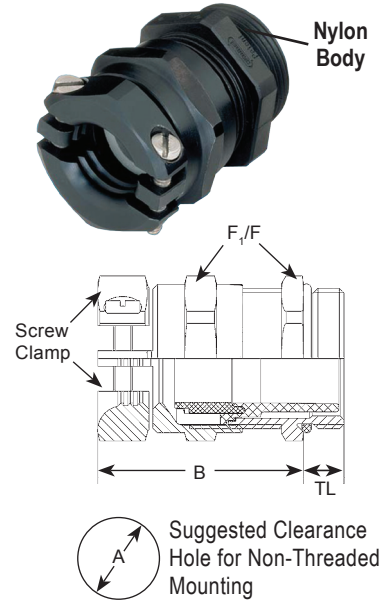


Extra Pull-Out Resistant Strain Relief Fittings with Clamp

Part Numbers	Cable Range	Thread Type & Size	Dimensions in Inches (mm)			
			A	B	TL	F ₁ /F
	-4°F to 158°F (-20°C to 70°C)	See page 56 for thread specs	Clearance Hole	Body Length	Thread Length	Wrench Flats
	Inches (mm)		+ .01" (+ .25 mm)			
CD09AA-CP	.16 - .31 (4 - 8)	PG 9	.60 (15.2)	1.14 (29)	.59 (15)	.75 (19)
CD11AA-CP	.24 - .39 (6 - 10)	PG 11	.73 (18.5)	1.28 (32.5)	.59 (15)	.87 (22)
CD13AA-CP	.24 - .47 (6 - 12)	PG 13 / 13.5	.80 (20.3)	1.40 (35.5)	.59 (15)	.94 (24)
CD16AA-CP	.39 - .55 (10 - 14)	PG 16	.89 (22.5)	1.48 (37.5)	.39 (10)	1.06 (27)
CD21AA-CP	.51 - .71 (13 - 18)	PG 21	1.12 (28.4)	1.61 (41)	.43 (11)	1.30 (33)
CD29AA-CP	.71 - .98 (18-25)	PG 29	1.47 (37.3)	1.93 (49)	.43 (11)	1.65 (42)
CD36AA-CP	.87 - 1.26 (22 - 32)	PG 36	1.85 (47)	2.28 (58)	.51 (13)	2.09 (53)
CD42AA-CP	1.26 - 1.50 (32 - 38)	PG 42	2.13 (54.1)	2.42 (61.5)	.51 (13)	2.36 (60)
CD48AA-CP	1.46 - 1.73 (37 - 44)	PG 48	2.34 (59.4)	2.44 (62)	.55 (14)	2.56 (65)
CD16MA-CP	.16 - .31 (4 - 8)	M16 X 1.5	.63 (16)	1.14 (29)	.59 (15)	.75 (19)
CD20MA-CP	.24 - .47 (6 - 12)	M20 X 1.5	.79 (20)	1.40 (35.5)	.59 (15)	.94 (24)
CD25MA-CP	.51 - .71 (13 - 18)	M25 X 1.5	.98 (25)	1.61 (41)	.43 (11)	1.30 (33)
CD32MA-CP	.71 - .98 (18-25)	M32 X 1.5	1.26 (32)	1.93 (49)	.43 (11)	1.65 (42)
CD40MA-CP	.87 - 1.26 (22 - 32)	M40 X 1.5	1.57 (40)	2.28 (58)	.51 (13)	2.09 (53)
CD50MA-CP	1.26 - 1.50 (32 - 38)	M50 X 1.5	1.97 (50)	2.42 (61.5)	.51 (13)	2.36 (60)
CD63MA-CP	1.46 - 1.73 (37 - 44)	M63 X 1.5	2.48 (63)	2.44 (62)	.55 (14)	2.56 (65) / 2.68 (68)



Liquid Tight Strain Relief Fitting with Anodized Aluminum Clamp for Extra Pull-out Resistance!




*Clamp Fitting includes Buna-N O-Ring

Nylon Strain Relief

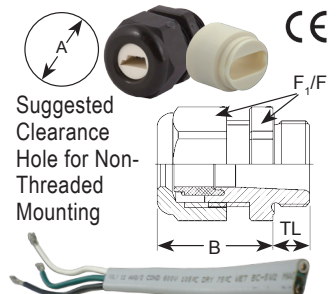
Romex® fittings are also available in PG 29, PG 36, PG 42, PG 48, 1¼", 1½", M32, M40, M50, M63.

Nylon Liquid Tight Strain Relief Fittings ROMEX® - PG / NPT / Metric Threads

Romex® Strain Relief Fittings for Flat Cable

Part Numbers	Slot Size	Thread Type & Size	Dimensions in Inches (mm)					
			A	B	TL	F ₁ /F		
	Inches (mm)	See page 56 for thread specs	Clearance Hole	Body Length	Thread Length	Wrench Flats		
			+ .01" (+ .25 mm)					
CD13AS-A1*	-	CD13AS-B1	.17 x .41 (4.2 x 10.4)	PG 13 / 13.5	.80 (20.3)	1.06 (27)	.35 (9)	.94 (24)
CD16AS-01	CD16AS-02	CD16AS-B2	.24 x .55 (6 x 14)	PG 16	.89 (22.5)	1.10 (28)	.39 (10)	1.06 (27)
CD16AS-03	CD16AS-04	-	.20 x .45 (5 x 11.5)					
CD16AS-05	CD16AS-06	CD16AS-B1	.28 x .47 (7 x 12)					
CD21AS-01	CD21AS-02	CD21AS-B1	.24 x .55 (6 x 14)	PG 21	1.12 (28.4)	1.22 (31)	.43 (11)	1.30 (33)
CD21AS-03	CD21AS-04	CD21AS-B2	.28 x .55 (7 x 14)					
CD13NS-A1*	-	CD13NS-B1	.17 x .41 (4.2 x 10.4)	1/2" - E NPT	.83 (21.1)	1.06 (27)	.51 (13)	.94 (24)
CD16NS-01	CD16NS-02	CD16NS-B1	.24 x .55 (6 x 14)					
CD16NS-03	CD16NS-04	CD16NS-B6	.20 x .45 (5 x 11.5)					
CD16NS-05	CD16NS-06	CD16NS-B5	.28 x .47 (7 x 12)					
CD21NS-01	CD21NS-02	CD21NS-B1	.24 x .55 (6 x 14)					
CD21NS-03	CD21NS-04	CD21NS-B2	.28 x .55 (7 x 14)	3/4" NPT	1.05 (26.7)	1.22 (31)	.55 (14)	1.30 (33)
CD29NS-01	-	CD29NS-B1	.31 x .87 (8 x 22)					
CD20MS-A1*	-	-	.17 x .41 (4.2 x 10.4)	M20 X 1.5	.79 (20)	1.06 (27)	.35 (9)	.94 (24)
CD20MS-01	CD20MS-02	CD20MS-B1	.24 x .55 (6 x 14)					
CD20MS-03	CD20MS-04	-	.20 x .45 (5 x 11.5)					
CD20MS-05	CD20MS-06	CD20MS-B2	.28 x .47 (7 x 12)	M25 X 1.5	.98 (25)	1.22 (31)	.43 (11)	1.30 (33)
CD25MS-01	CD25MS-02	CD25MS-B1	.24 x .55 (6 x 14)					
CD25MS-03	CD25MS-04	CD25MS-B2	.28 x .55 (7 x 14)					

Strain Relief Fittings with Inserts for Flat Cables and ASI-BUS Cables. These form seals are also available with Strain Relief Fittings made of other materials. (Nickel Plated Brass, Stainless Steel, etc.). UL pertains to the standard body, not including FLAKA (Romex®) Insert. FLAKA (for Romex style cable) HSK-K 1/2"-E are UL listed. To meet UL, only Romex style cable (flat top and bottom) can be used with this style Strain Relief (no Zip Cable, no Ribbon cable, etc.).



*Note: UL f1 rating applies to Black Nylon Fittings only.
*Insert for ASI-BUS Cables
Romex® is a federally registered trademark of Southwire Company.