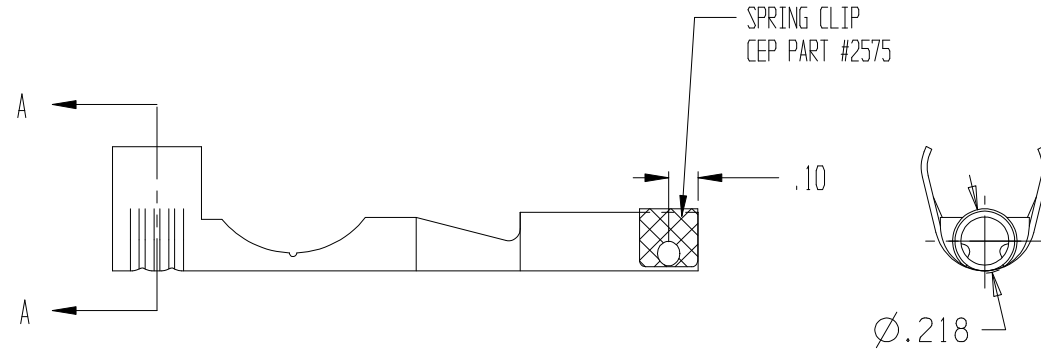
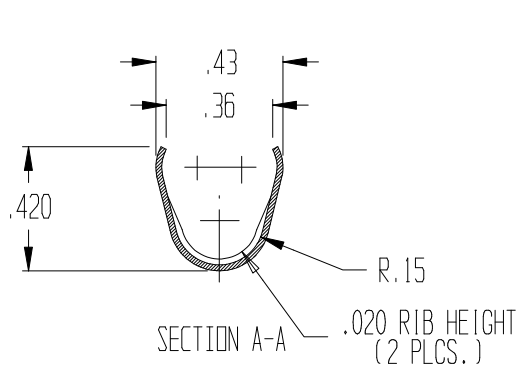
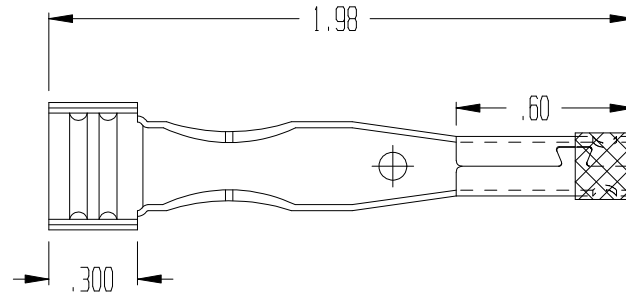


REVISIONS

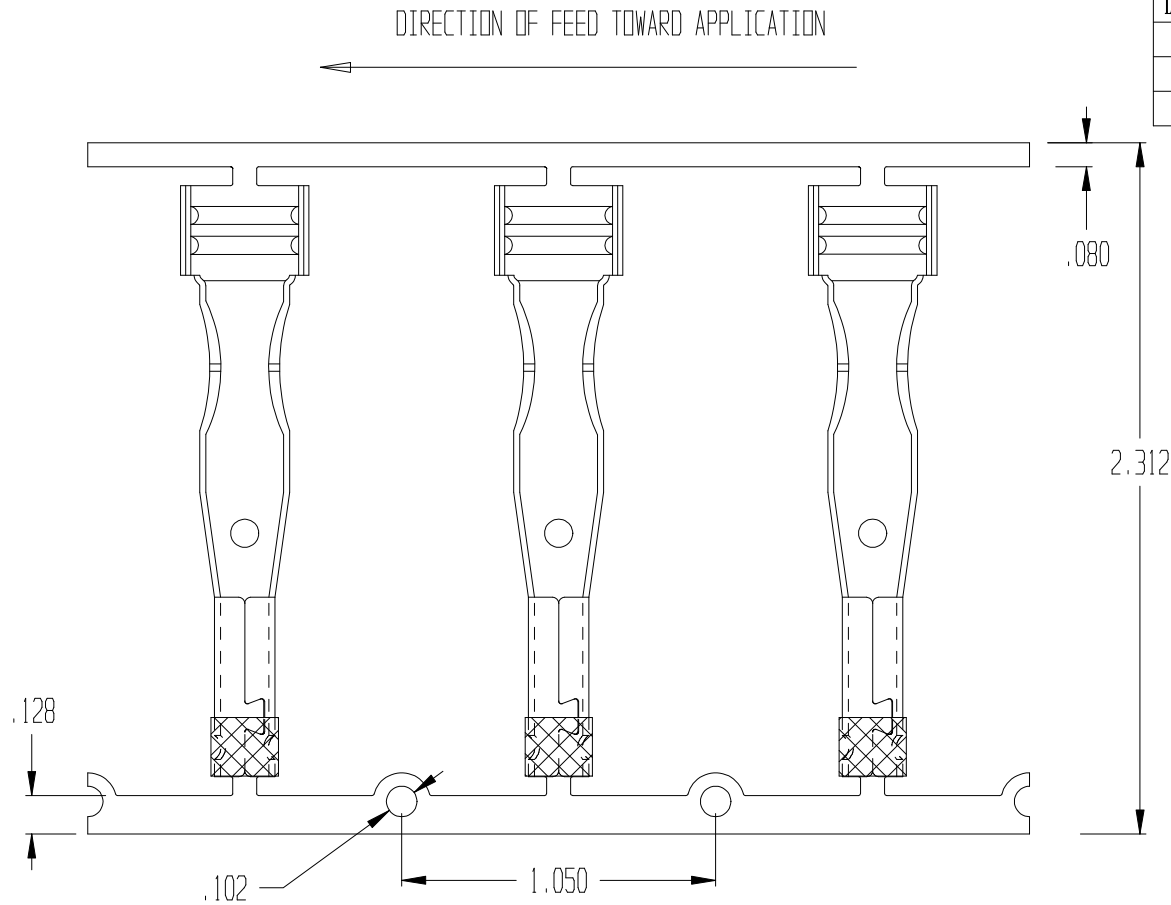
LEVEL	DESCRIPTION OF CHANGE	DATE



INCH PROJ.		DIMENSIONS IN ARE CRITICAL.	CEP TECHNOLOGIES CORPORATION 763 SAW MILL RIVER ROAD, YONKERS N.Y. 10710	
MATERIAL: STAINLESS STEEL 0.018" THICK			DISTRIBUTOR	SCALE: RELATIVE
PART #: CEP2012S		SHEET 1 OF 2	TERMINAL	REVISION: 00
UNCONTROLLED			FILE NAME: CEP2012S	DATE: 04/18/08
			DRAWN BY: PD	APP'D. BY: MJD

REVISIONS

LEVEL	DESCRIPTION OF CHANGE	DATE



INCH ← in → DIMENSIONS IN ▲
 PROJ. ⊕ ◁ ARE CRITICAL.

MATERIAL: STAINLESS STEEL 0.018" THICK

PART #: CEP2012S SHEET 2 OF 2

CEP TECHNOLOGIES CORPORATION
 763 SAW MILL RIVER ROAD, YONKERS N.Y. 10710

DISTRIBUTOR SCALE: RELATIVE
 TERMINAL REVISION: 00

UNCONTROLLED

FILE NAME: CEP2012S DATE: 04/18/08

DRAWN BY: PD APP'D. BY: MJD