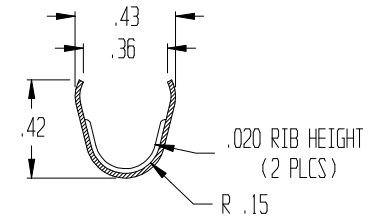
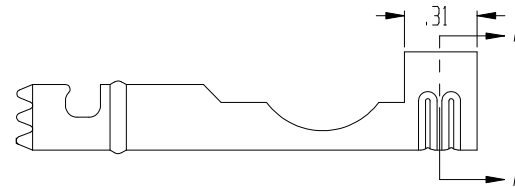
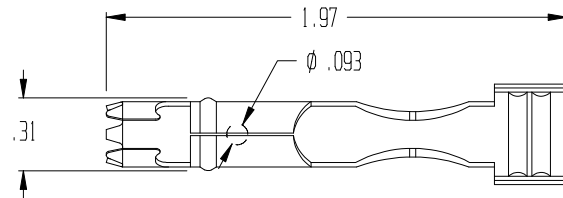


REVISIONS

LEVEL	DESCRIPTION OF CHANGE	DATE

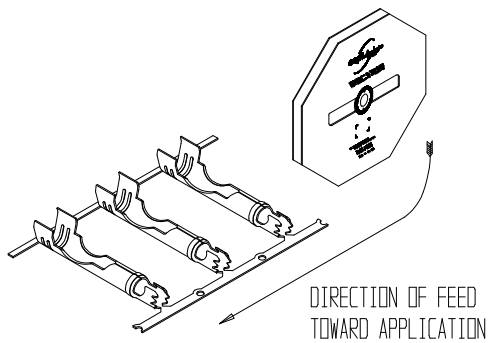
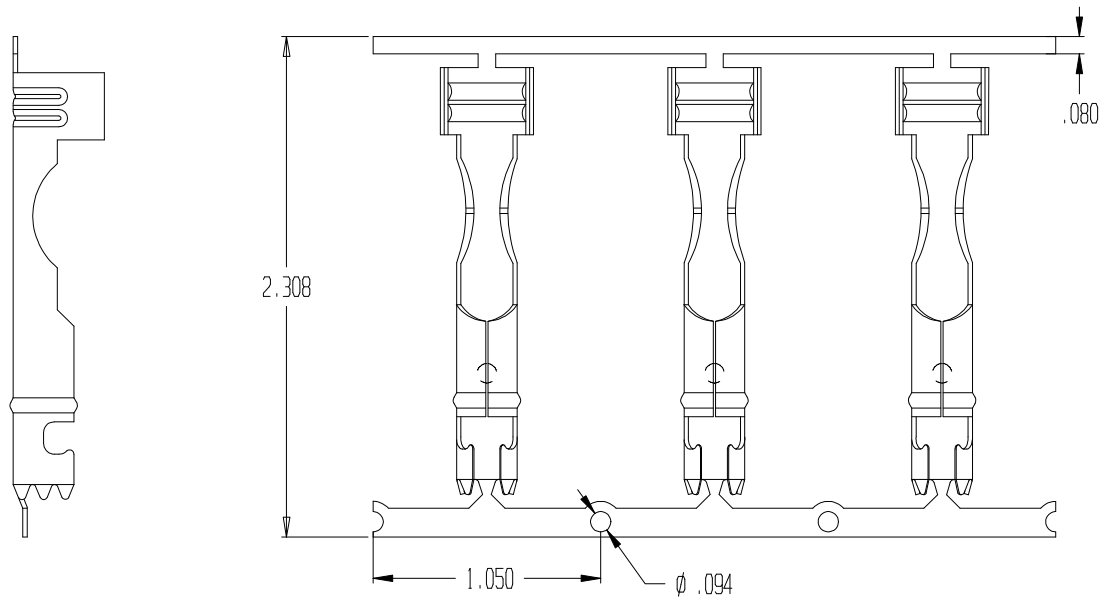


SECTION A-A

INCH PROJ.	\leftarrow in \rightarrow \oplus \triangleleft	DIMENSIONS IN ARE CRITICAL. \blacktriangle	CEP TECHNOLOGIES CORPORATION 763 SAW MILL RIVER ROAD, YONKERS N.Y. 10710	
MATERIAL: 430 S.S. .018" THICK			DISTRIBUTOR TERMINAL	SCALE: RELATIVE
PART #: CEP2367S		SHEET 1 OF 2	REVISION: 01	
UNCONTROLLED			FILE NAME: CEP2367S	DATE: 11/15/05
			DRAWN BY: PD	APP'D. BY: MJD

REVISIONS

LEVEL	DESCRIPTION OF CHANGE	DATE



INCH	← in →	DIMENSIONS IN ARE CRITICAL. ▲	CEP TECHNOLOGIES CORPORATION 763 SAW MILL RIVER ROAD, YONKERS N.Y. 10710		
PROJ.	⊕		DISTRIBUTOR TERMINAL		SCALE: RELATIVE
MATERIAL: 430 S.S. .018" THICK			REVISION: 01		
PART #: CEP2367S		SHEET 2 OF 2	FILE NAME: CEP2367S	DATE: 11/15/05	
UNCONTROLLED			DRAWN BY: PD	APP'D. BY: MJD	