

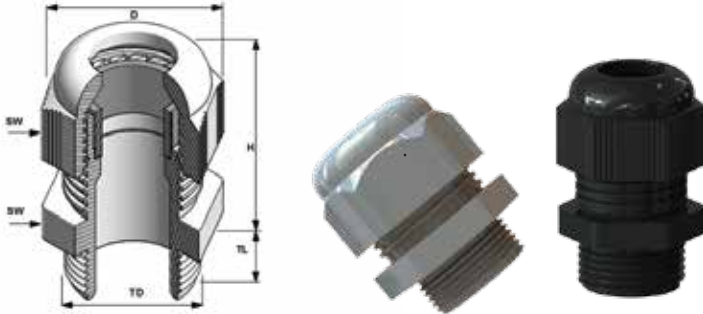
CG 100 METRIC POLYAMIDE CABLE GLANDS

Metric thread

Liquid tight seal, fast and easy installation, wide clamping range, multi-purpose applications, easy handling.

Technical Details

Material	Polyamide 6
Seal	Chloroprene (CR)
Color	RAL 7001 (Gray)
	RAL 9005 (Black)
Protection Class	IP 68 - 5 Bar
Temperature Range	-20°C to +100°C permanent
	-30°C to +150°C intermittent
Flammability	V2 (According to UL 94)
Approvals	UL, UR, CSA, VDE



Part Number		Thread Type	Clamping Range		Thread Diameter (TD)		Wrenching Flats (SW)		Thread Length (TL)	Height (H)	UL ¹
Gray	Black		inches	mm	inches	mm	inches	mm			
Metric											
PMG-12	PMB-12	M12x1.5	.118 - .256	3.0 - 6.5	0.472	12	0.591	15	0.315	0.866	UR
PMG-16*	PMB-16*	M16x1.5	.197 - .394	5.0 - 10.0	0.630	16	0.866	22	0.394	1.102	UR
PMG-20*	PMB-20*	M20x1.5	.236 - .473	6.0 - 12.0	0.787	20	0.945	24	0.394	1.142	UL
PMG-20C*	PMB-20C*	M20x1.5	.394 - .552	10.0 - 14.0	0.787	20	1.063	27	0.394	1.220	UL
PMG-25*	PMB-25*	M25x1.5	.512 - .709	13.0 - 18.0	0.984	25	1.299	33	0.394	1.378	UL
PMG-32	PMB-32	M32x1.5	.709 - .984	18.0 - 25.0	1.260	32	1.654	42	0.709	1.575	UL
PMG-40	PMB-40	M40x1.5	.866 - 1.260	22.0 - 32.0	1.575	40	2.087	53	0.709	1.929	UL
PMG-50	PMB-50	M50x1.5	1.181 - 1.496	30.0 - 38.0	1.969	50	2.362	60	0.709	1.929	UL
PMG-63	PMB-63	M63x1.5	1.339 - 1.732	34.0 - 44.0	2.480	63	2.559	65	0.709	1.929	UL
Metric with Reducer Bushings†											
PMG-12R	PMB-12R	M12x1.5	.079 - .197	2.0 - 5.0	0.472	12	0.591	15	0.315	0.866	-
PMG-16R*	PMB-16R*	M16x1.5	.118 - .276	3.0 - 7.0	0.630	16	0.866	22	0.394	1.102	-
PMG-20R*	PMB-20R*	M20x1.5	.197 - .355	5.0 - 9.0	0.787	20	0.945	24	0.394	1.142	-
PMG-20RC*	PMB-20RC*	M20x1.5	.276 - .473	7.0 - 12.0	0.787	20	1.063	27	0.394	1.220	-
PMG-25R*	PMB-25R*	M25x1.5	.354 - .630	9.0 - 16.0	0.984	25	1.299	33	0.394	1.378	-
PMG-32R	PMB-32R	M32x1.5	.472 - .788	12.0 - 20.0	1.260	32	1.654	42	0.709	1.575	-
PMG-40R	PMB-40R	M40x1.5	.788 - 1.024	20.0 - 26.0	1.575	40	2.087	53	0.709	1.929	-
PMG-50R	PMB-50R	M50x1.5	.984 - 1.220	25.0 - 31.0	1.969	50	2.362	60	0.709	1.929	-
PMG-63R	PMB-63R	M63x1.5	1.142 - 1.378	29.0 - 35.0	2.480	63	2.559	65	0.709	1.929	-

*Available with longer thread
¹ Additional UL approvals in progress
 Locknut included