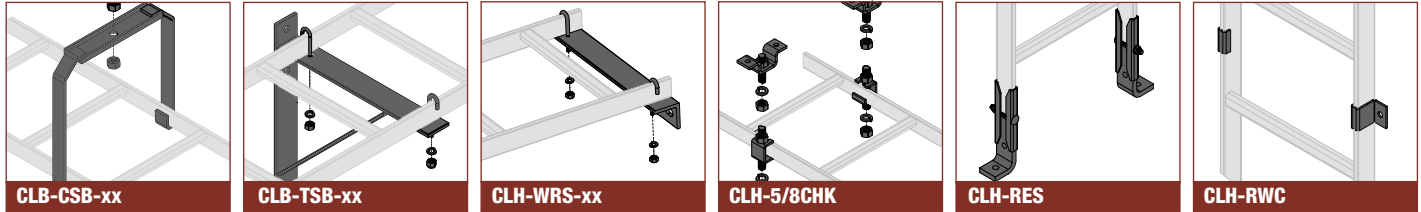


Cable Ladders

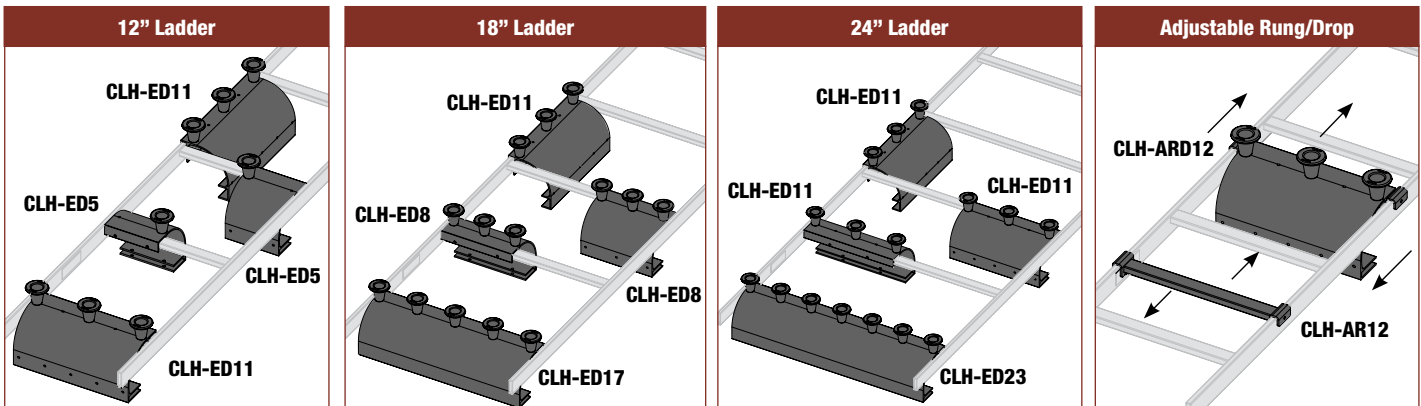
Wall/Ceiling Mounts - All Hardware has Black Finish

CUSTOM WIDTHS AND RUNG PLACEMENT AVAILABLE. CALL FOR DETAILS.



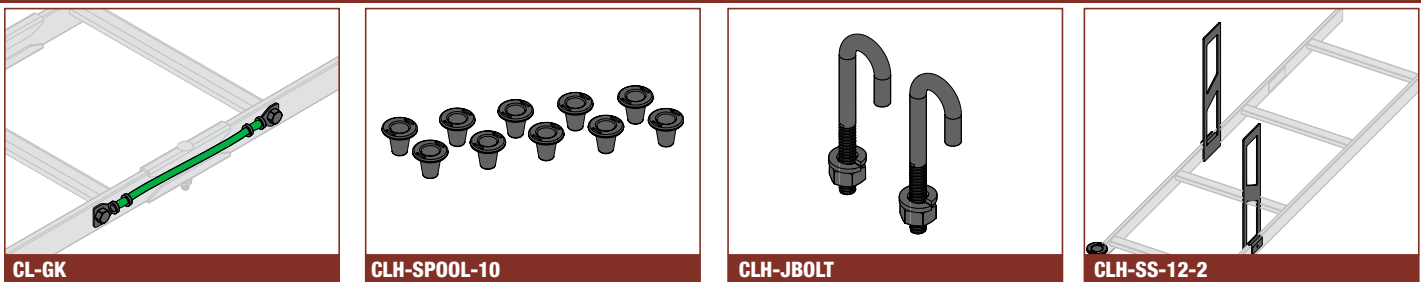
12" Wide (Bulk 6 Pack)	12" Wide Part #	18" Wide Part #	24" Wide Part #	Description
CLB-CSB-6	CLB-CSB	CLB-CSB-W18	CLB-CSB-W24	center support bracket
CLB-TSB-6	CLB-TSB	CLB-TSB-W18	CLB-TSB-W24	triangle wall support bracket
CLH-WRS-6	CLH-WRS or CLH-WRS-W6-W12	CLH-WRS-W18-W24	CLH-WRS-W18-W24	ladder wall support angle
CLH-5/8CHK-6		CLH-5/8CHK		5/8" slotted ceiling kit, fits all widths
-		CLH-5/8ROD-12-4		12" long section 5/8" threaded rod, 4 pieces
-		CLH-5/8ROD-6		6" long section 5/8" threaded rod, 1 piece
CLH-RES-6		CLH-RES		ladder end support hardware, fits all widths
CLH-RWC-6		CLH-RWC		ladder wall clamp, fits all widths

Side, End Drops and Adjustable Rungs



12" Wide (Bulk 4 Pack)	12" Wide Part #	18" Wide Part #	24" Wide Part #	Description
-	CLH-AR12	CLH-AR18	CLH-AR24	adjustable rung (no drop)
-	CLH-ARD12	CLH-ARD18	CLB-ARD24	adjustable rung drop with spools
CLH-ED11-4	CLH-ED11	CLH-ED17	CLH-ED23	end drop with spools
-		CLH-ED5		5" wide end drop with spools, fits all widths
-		CLH-ED8		8" wide end drop with spools, fits all widths
CLH-SD8-4		CLH-SD8		8" wide side drop with spools, fits all widths

Accessories



Part #	Description	Part #	Description
CL-GK	cable ladder bonding kit	CLH-5/8ROD-6	6' long section 5/8" threaded rod, 1 piece
CLH-EC-12	cable ladder end caps (12 pieces)	CLH-SS-12-2	12" high, side stand-off, 2 pieces
CLH-JBOLT	5/16" J-bolts and nuts (1 pair)	MK-LA	ladder adapter kit for MK-19-45-RL & RLA Series racks
CLH-SPOOL-10	cable management spools (10 pieces)	MW-LA	top option for DRK, MRK, WRK, VRK and VMRK Series enclosures
CLH-5/8ROD-12-4	12" long section 5/8" threaded rod, 4 pieces		

