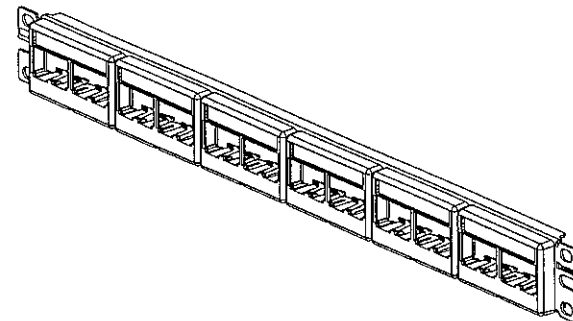
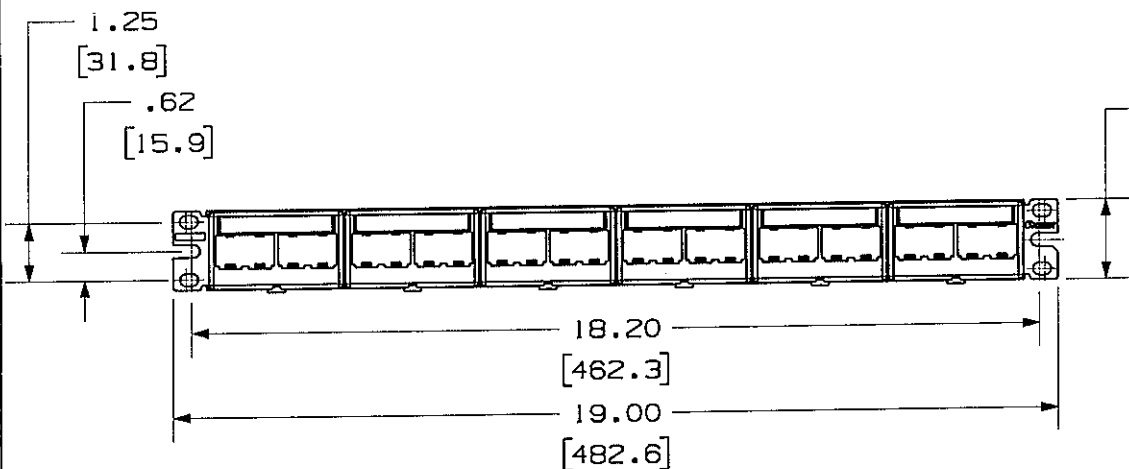


THIS COPY IS PROVIDED ON A RESTRICTED BASIS AND IS NOT TO BE USED IN ANY WAY DETRIMENTAL TO THE INTERESTS OF PANDUIT CORP.

PANDUIT P/N	WEIGHT
CPPL24WBL	6.15 LB/10 PCS (2789.6 g/10 PCS)

NOTES:

- SEE CURRENT CATALOG FOR ADDITIONAL PART NUMBER SUFFIXES TO INDICATE COLOR AND OR PACKAGE QUANTITY.
- SEE CATALOG FOR COMPLETE LIST OF PARTS APPLICABLE FOR USE WITH THIS PART.
- DIMENSIONS IN PARENTHESES ARE IN METRIC.
- PART INCLUDES:
  - 1- METAL STAMPING
  - 6- MODULAR FACEPLATE WITH LABEL SLOT
  - 6- LABEL
  - 6- LABEL COVER
  - 1- SCREW KIT (INCLUDES FOUR #12-24 SCREWS)
  - 1- SCREW KIT (INCLUDES FOUR M6 SCREWS)



NETWORK SYSTEMS  
MAY 26 2006  
ENGINEERING DEPT

MODEL FILENAME	MO0719AA_CPPL24WBL_01.PRT	SIZE	A
DRAWING FILENAME	MO2479BZ_DC055_00A.PRT	MINI-COM 24 PORT MODULAR PATCH PANEL WITH LABEL CUSTOMER DRAWING	
ITEM NUMBER	N/A	PRODUCT SPEC	N/A
WORK INSTRUCTION	N/A	SCALE	NONE
PART NO.	CPPL24WBL	DRAWING NO.	02479-055
MATERIAL	PANEL - CRS FACEPLATE - ABS	ALL DIMENSIONS ARE GIVEN IN INCHES, UNLESS OTHERWISE SPECIFIED. DIMENSIONAL TOLERANCES ARE: (.X) ± (.XXX) ± .010(.3) (.XX) ± .03(.8) ANGLES ±	
THIRD ANGLE PROJECTION	DRAWN BY: JsP DATE: 4-19-06 CHK'D: MJD	RELEASED TO PRODUCTION ECN - R CUST SUP OTH	

REV	DATE	BY	CHK	DESCRIPTION	ECN	R	CUST	SUP	OTH
R	4-19-06	JsP	MJD	RELEASED TO PRODUCTION	02479-055				