
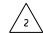
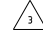
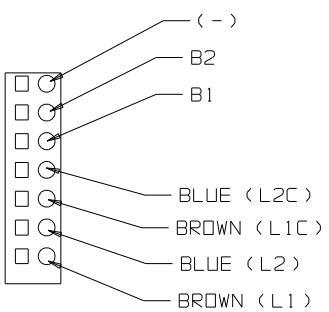


REVISIONS				
REV	DESCRIPTION	DATE	ECN #	APPROVED
00	ENGINEERING RELEASE	03/30/09	-----	P.O.
01	FLIP CONN. VIEW A-A 180 DEG.	04/15/09	09027	P.O.

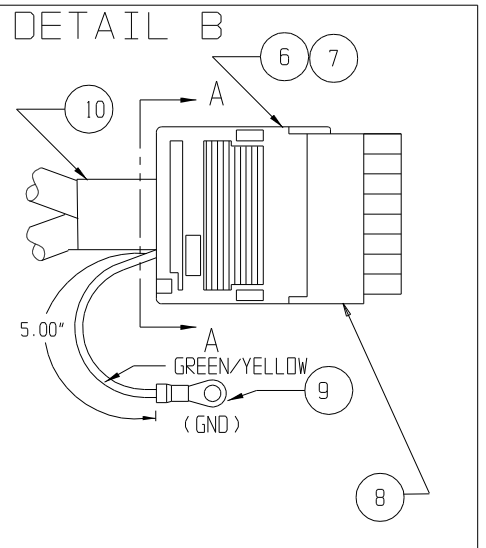
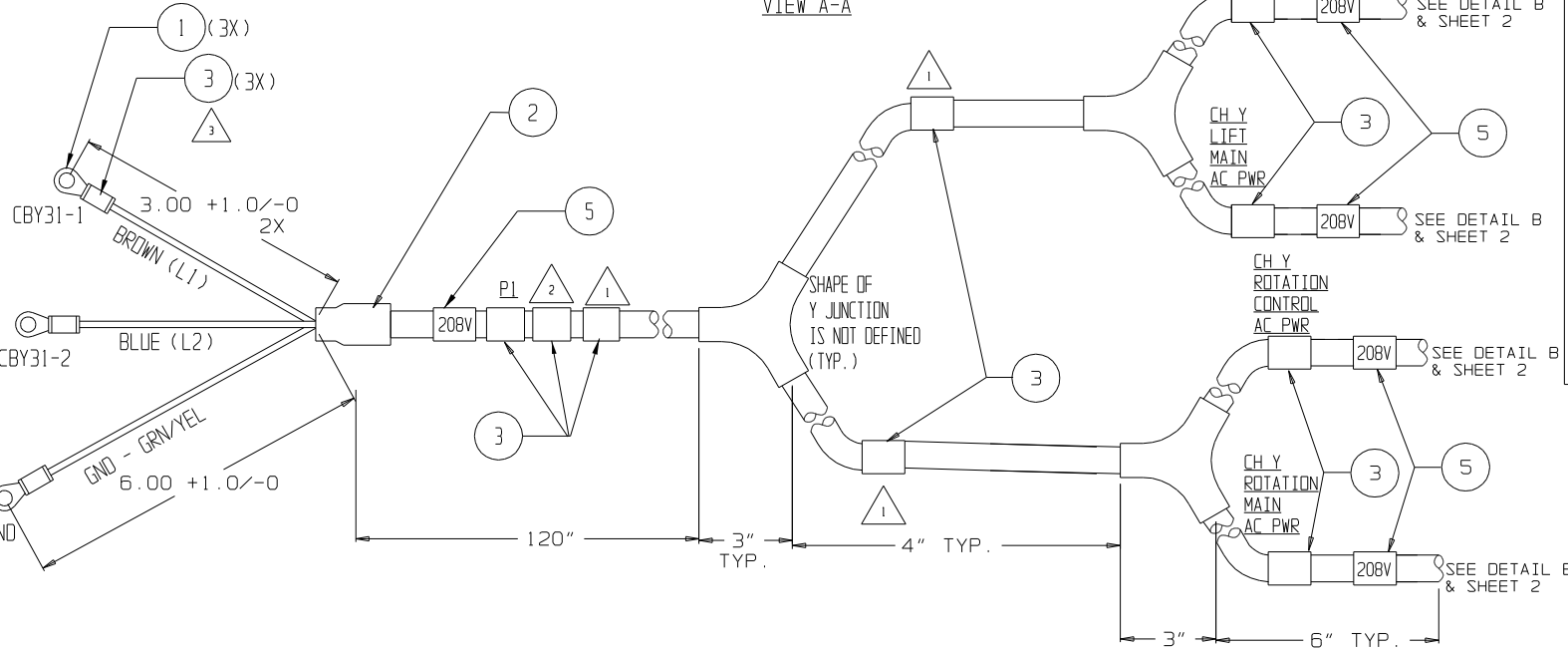
NOTE:  MARK WITH APPLIED MAT'L NUMBER, "MARINCO" AND UNIQUE DATE CODE (MMDDYY xx E.G 080598-01,080598-02) APPROXIMATELY WHERE SHOWN

 MARK WITH "MADE IN USA" APPROXIMATELY WHERE SHOWN

 MARK WITH REFERENCE DESIGNATOR APPROXIMATELY WHERE SHOWN



VIEW A-A



ITEM	QTY.	PART #	DESCRIPTION
10	2.5"	200180	HEAT SHRINK, 3/4" DIA
9	2	102697	RING TERMINAL, 16-14 #8 DBL
8	2	105251	CABLE TIE, STRAIN RELIEF
7	2	201257	STRAIN RELIEF HOUSING - 7 POLE (WAGO #232-667)
6	2	201256	FEMALE CONNECTOR - 7 POLE GRAY (WAGO #721-207/026-000)
5	5	200228	WIREMARKER "208V"
4	1	201583	CABLE, 14/3 SJT, TRIPLE Y, 149"
3	12	200027	LABEL, WIREMARKER
2	1"	105240	HEAT SHRINK, 3/8"
1	3	102915	RING TERMINAL, 16-14 #10 DBL

AMAT #: 0620-04870

		MARINCO			
		POWER CORD			
DRAWN BY: J.B.T.	SIZE	FSCM NO.	DWG NO. Y-AM2	REV 01	
DATE: 09/12/08	SCALE: NTS	P/N	SHEET 1 OF 2		