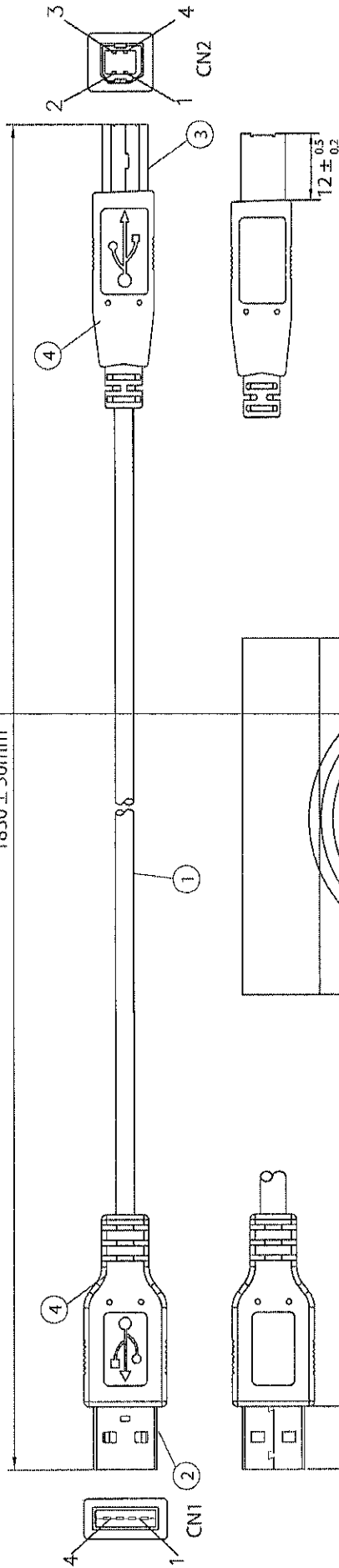


THESE DRAWINGS ARE THE PROPERTY OF QUALTEK ELECTRONICS AND NOT TO BE REPRODUCED FOR OR COMMUNICATED TO A THIRD PARTY WITHOUT THE EXPRESS WRITTEN PERMISSION OF AN OFFICER OF QUALTEK ELECTRONICS.

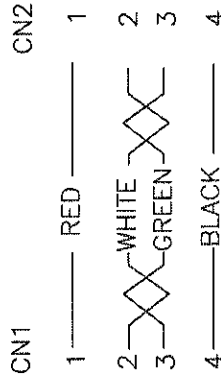
REV.	DESCRIPTION	DATE	APPROVED
B	Updated Specifications	02-09-12	LY

1830 ± 50mm



P/N: 3021007-06
 USB 4P(A)/M-USB 4P(B)/M
 Length: 6FT
 Color: Black

CONNECTION



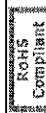
SHELL — BRAID & DRAIN — SHELL

NOTES:

- CABLE: UL2725 26/28AWG
 28AWGx1P+26AWGx2C+ AEB(AL) 65%
 OUTER JACKET: BLACK, OD: 4.2 ± 0.2mm
- CONNECTOR: USB A TYPE MALE
 INSULATOR: WHITE PBT
 PIN G/F
 NICKEL PLATED SHELL
- CONNECTOR: USB B TYPE MALE
 INSULATOR: WHITE PBT
 PIN G/F
 NICKEL PLATED SHELL
- PVC MOLDED: COLOR V398 45P BLACK
- ELECTRICAL TEST:
 <1>. 100% OPEN SHORT & MISS WIRE TEST
 <2>. INSULATION RESISTANCE: DC400V 10M ohm MIN.
 <3>. CONDUCTOR RESISTANCE: 3 ohm MAX.
- PACKING: 1PC/POLYBAG W/ LABEL

CONTROLLED

Qualtek Electronics Corp.
 WCI DIVISION



Part Number: 3021007-06

Description: USB 4P(A)/M - USB 4P(B)/M

Dim range (mm)	Tolerance +/- (mm)
0-1	0.15
1-6	0.20
6-18	0.30
18-50	0.50
50-120	0.70
120-250	0.90
250-500	1.20

UNIT: mm	REV. B
Checked / Date	Approved / Date
B. Grubb 01-26-07	JH / 01-26-07