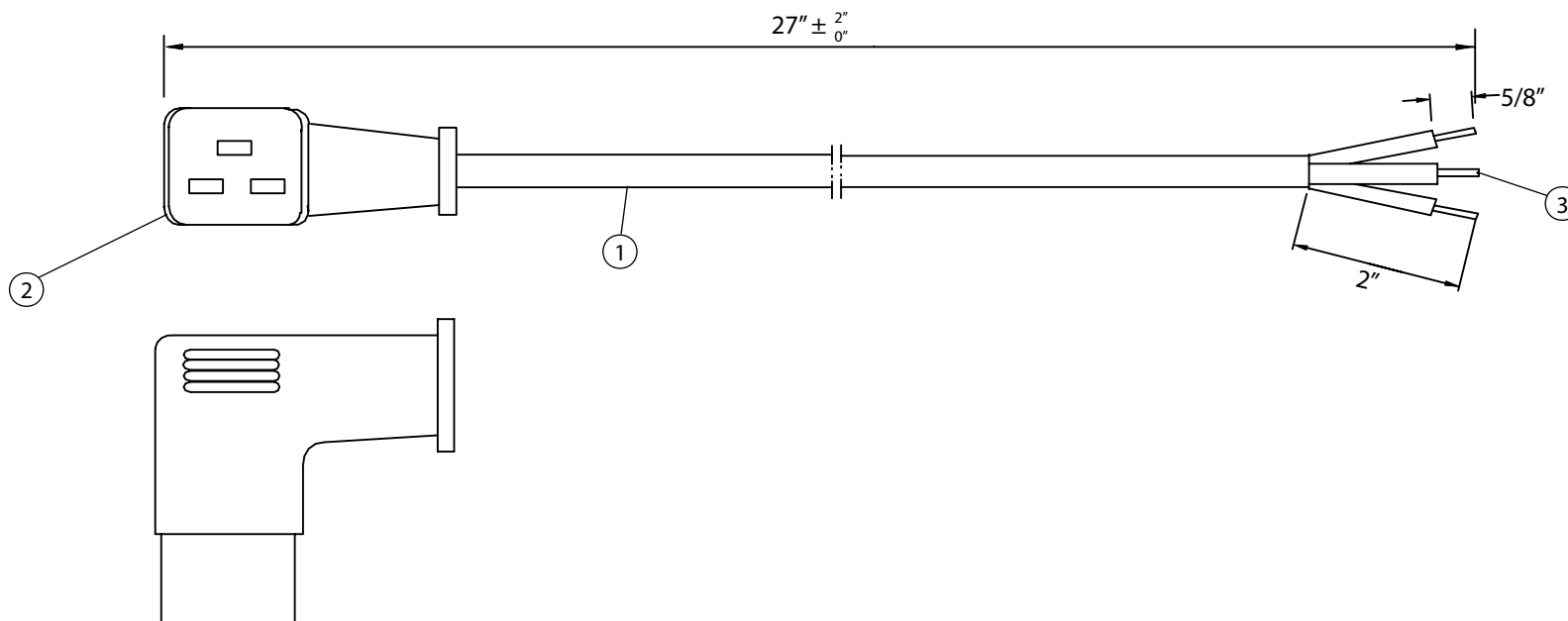


THESE DRAWINGS ARE THE PROPERTY OF QUALTEK ELECTRONICS AND NOT TO BE REPRODUCED FOR OR COMMUNICATED TO A THIRD PARTY WITHOUT THE EXPRESS WRITTEN PERMISSION OF AN OFFICER OF QUALTEK ELECTRONICS.

REVISION			
REV.	DESCRIPTION	DATE	APPROVED



NOTES:

1. CORDAGE: SJT, 12AWG / 3C, UNSHIELDED CEE COLOR CODE, TEMP. RATING: 105°C, RATING: 250V 20A, JACKET COLOR: BLACK
2. CONNECTOR: IEC 60320 C19 ANGLED
3. OTHER END: ROJ 2", STRIP 5/8"
4. APPROVALS: UL, CSA
5. ROHS COMPLIANT

CONTROLLED

Dim range (mm)		Tolerance +/- (mm)		Qualtek Electronics Corp. PPC DIVISION		
0-1		0.15		Part Number: 350090-01 RoHS Compliant		
1-6		0.20		Description: POWER CORD		
6-18		0.30		RFQ# 9415B UNIT: in		
18-50		0.50		Drawn / Date Checked / Date Approved / Date		
50-120		0.70		R.Nuti 05-09-11 LY / 05-09-11		
120-250		0.90		05-09-11		
250-500		1.20		05-09-11		