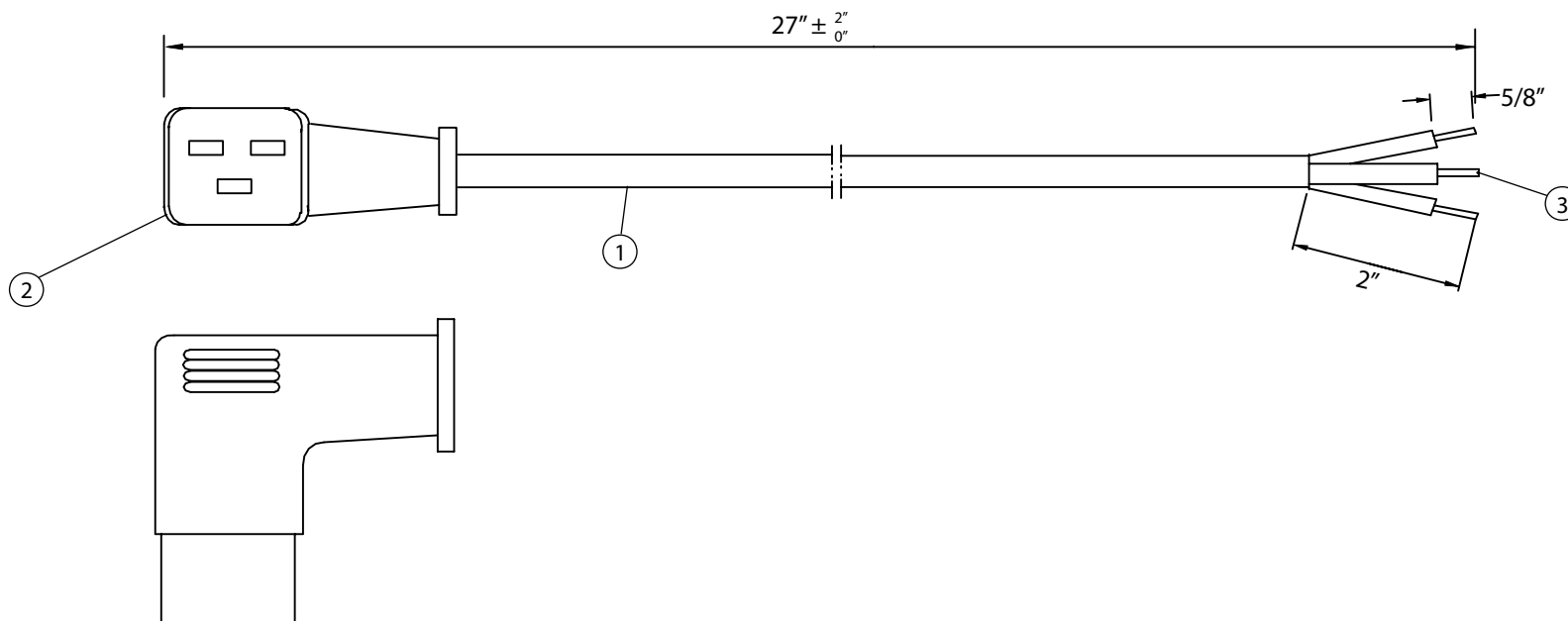


THESE DRAWINGS ARE THE PROPERTY OF QUALTEK ELECTRONICS AND NOT TO BE REPRODUCED FOR OR COMMUNICATED TO A THIRD PARTY WITHOUT THE EXPRESS WRITTEN PERMISSION OF AN OFFICER OF QUALTEK ELECTRONICS.

REVISION			
REV.	DESCRIPTION	DATE	APPROVED



CONTROLLED

NOTES:

1. CORDAGE: SJT, 12AWG / 3C, UNSHIELDED CEE COLOR CODE, TEMP. RATING: 105°C, RATING: 250V 20A, JACKET COLOR: BLACK
2. CONNECTOR: IEC 60320 C19 RIGHT ANGLED
3. OTHER END: ROJ 2", STRIP 5/8"
4. APPROVALS: UL, CSA
5. ROHS COMPLIANT

Dim range (mm)		Tolerance +/- (mm)		Qualtek Electronics Corp. PPC DIVISION		
0-1	0.15	Part Number: 350089-01		RoHS Compliant		
1-6	0.20	Description: POWER CORD				
6-18	0.30	RFQ# 9415	UNIT: in			
18-50	0.50	Drawn / Date	Checked / Date	Approved / Date		
50-120	0.70	R.Nuti 11-05-10	11-05-10	LY / 11-05-10		
120-250	0.90					
250-500	1.20					