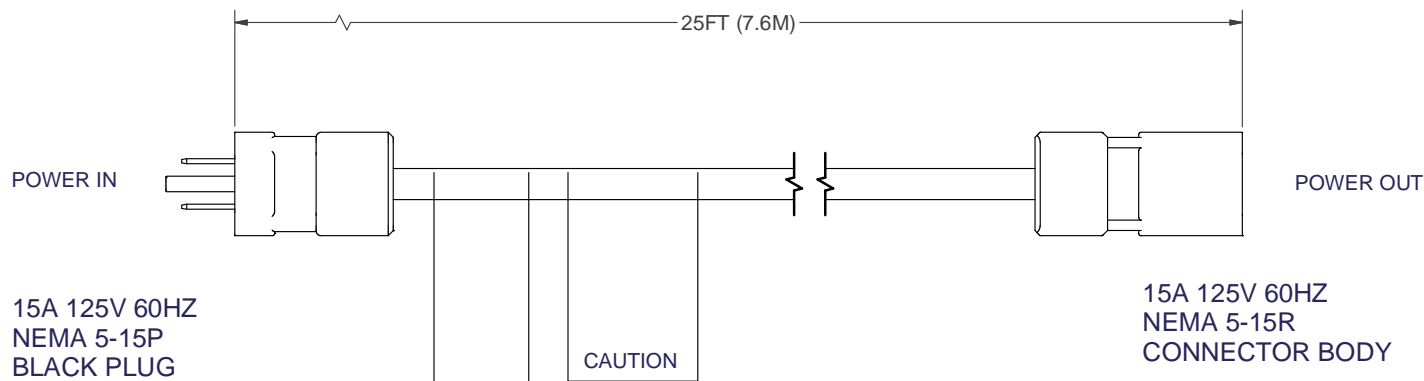


CUSTOM PRODUCT

YOU ARE HEREBY NOTIFIED THAT ANY DISSEMINATION, DISCLOSURE, COPYING OR DISTRIBUTION OF THE IDEAS, INFORMATION OR DESIGNS THEREIN SHOWN WITHOUT OUR WRITTEN PERMISSION IS STRICTLY PROHIBITED.

CUSTOMER APPROVAL: AS IS WITH NOTED CHANGES

Customer name: _____
 Customer signature: _____
 Company name: _____
 Contact number: _____
 Date: _____
 Custom Products Are Non-Cancellable & Non-Returnable



15A 125V 60HZ
NEMA 5-15P
BLACK PLUG

15A 125V 60HZ
NEMA 5-15R
CONNECTOR BODY

CAUTION

LABEL: HUBBELL LOGO


P/N: EC2515W10312
 RATING: 15A 125V 60HZ
 LENGTH: 25FT
 DATE: MMY

1. END 1 (POWER IN) NEMA 5-15P 15A 125V 60HZ BLACK PLUG.
2. CABLE: 7.6M (25FT) BLACK 14AWG 3-COND SJT BLACK CORD.
3. END 2 (POWER OUT) NEMA 5-15R 12A 125V 60HZ BLACK CONNECTOR BODY.

NOTES:

1. MAXIMUM LOAD 1500VA (12.0A @ 125V).
2. FOR DRY INDOOR LOCATIONS ONLY.

This product will be approved using Field Evaluation or Special Inspection and marked by a certification organization accredited by (SCC) Standards Council Of Canada such as "CSA" or "QPS" or "ESA" or "ENTECLA" or "UL".

DESCRIPTION: NEMA 5-15P TO NEMA 5-15R 60HZ CORD SET	
POWER:	15A 125V 60Hz IN/OUT
FINISH:	MATERIAL:
 HUBBELL CANADA LP 870 BROCK ROAD SOUTH PICKERING ONTARIO, L1W 1Z8 WWW.HUBBELLONLINE.COM	

CAT No: EC2515W10312	
DRWN BY: SR	PROJ'T NO:
APR'D BY: RC	DRAWING NO: W10312
DATE: 06/08/2011	SHEET: 1 of 1 SCALE: NTS

