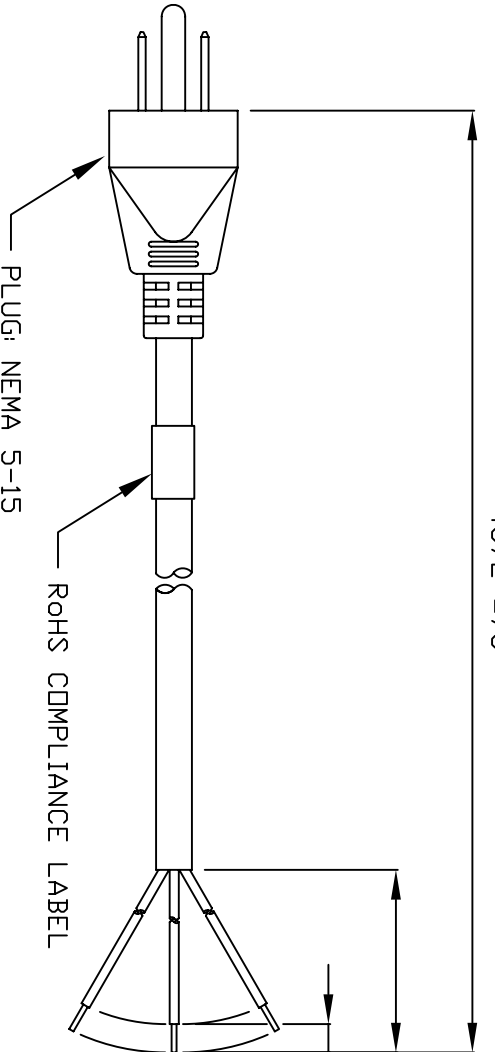
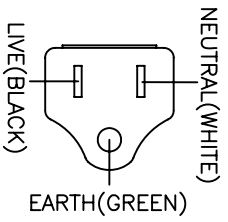


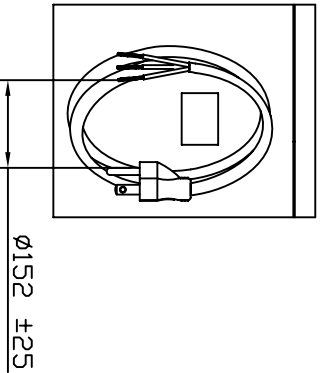
4572 ±76



VOLEX RESERVES THE RIGHT TO ALTER NON-CRITICAL DIMENSIONS WITHOUT NOTICE.

- NOTES**
- 1) CORDAGE: 16/3 SJ, 60°C, BLACK
 - 2) APPROVALS:
 - 3) RATING: 13 AMP/125 VOLTS
 - 4) FLAME RATING : FT2
 - 5) PACKAGING: 30 PIECES/CARTON
 - 6) ALL DIMENSIONS IN MILLIMETERS.

PACKAGING: COILED AND BAGGED



REV	DESCRIPTION	DATE
1	C.U.D - NEW RELEASE	9/7/07
2	REDRAWN TO SHOW CHINESE MANUFACTURED CORD	12/3/07

Proprietary Notice:

This document is the property of Volex Incorporated. The information contained herein is not to be disclosed to anyone without the express written consent of Volex Inc.



CUD

- Indianapolis, IN
- Conover, N.C.
- Freemont, CA
- Aguascalientes, MX
- Tijuana, Mexico
- Hermosillo, MX
- Clinton, AR
- Kanata, Canada

MATERIAL:
PLUG: PVC, BLACK
JACKET: PVC, BLACK
RHS COMPLIANT

FINISH:
JACKET: SMOOTH

SCALE:	ECD:
NDT TO SCALE	N/A

TOLERANCE UNLESS OTHERWISE SPECIFIED		ITEM DESCRIPTION	
.XXX ± .005	APPROVED	CORDSET - NORTH AMERICAN POWER SUPPLY CORD (12')	
.X ± .03	STC	DRAWN BY	DATE:
ANGULAR ± 1/32°	STC	STC	9/7/07

PART NO: 17425 10 S2