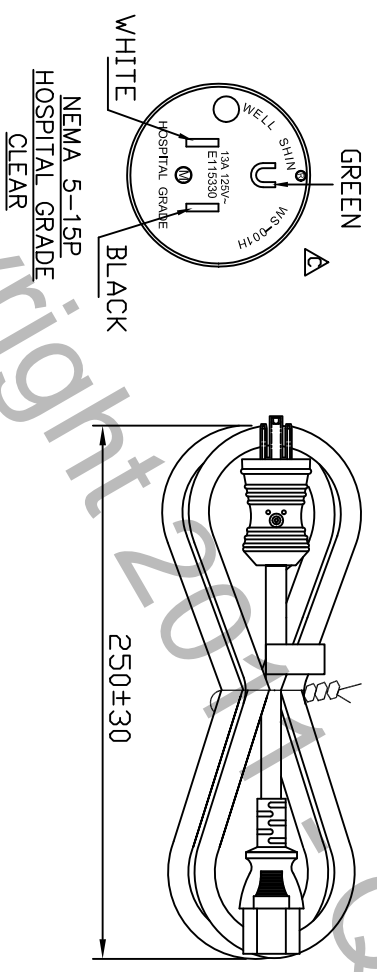
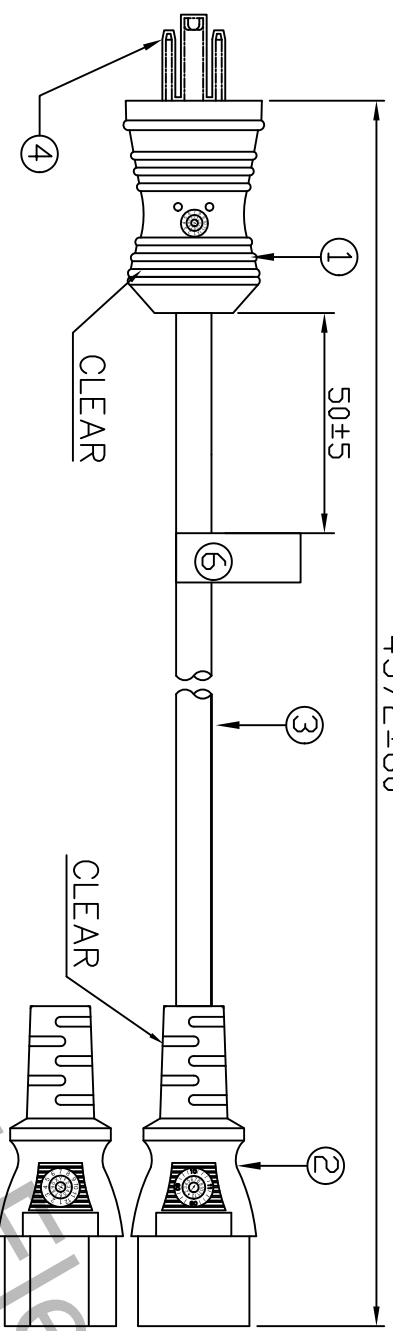


RoHS (2002/95/EC) COMPLIANT

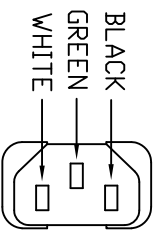
CUSTOMER: P/N: 0287.180 REV. APPROVED BY:

4572±60



WELL SHIN
WS-002
13A 125V~
E115330

MARKING:



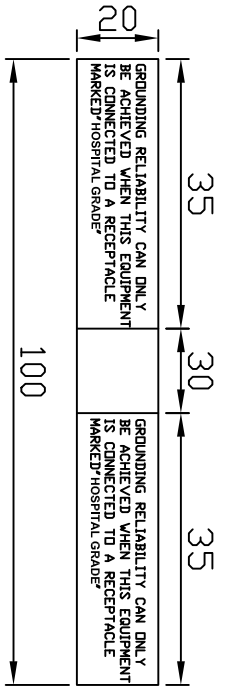
IEC-60320-C13
CLEAR

REVISIONS	
REV.	DATE
Δ	07.07.27
Δ	2010.03.01
Δ	2011.03.07
Δ	
Δ	

NOTES:
1. There is no date code marking if products were made in the Zhuanghua Factory.

2. RoHS "C" CSA

LABEL CONTENTS:



ITEM	DESCRIPTION	COLOR	QTY
⑤	LABEL	---	1
④	PLASTIC CAP	WHITE	1
③	ΔSUT 16AWG*3C 105°C SHIELDED	BLACK	1
②	WS-002 13(A) 125(V)	CLEAR	1
①	WS-001H 13(A) 125(V)	CLEAR	1

MARKING: M FDR DONG-GUAN PLANT, K FDR KUN-SHAN PLANT	
SIGNATURE	
ENGINEER:	
MANAGER:	
CHECKED BY:	
DRAWN BY:	
PRODUCT NO:	001H+002-1
DATE:	2011.03.07
UNIT:	mm
SHEET:	1 OF 1
DWG NO:	0096-2058
REV.	C

THE INFORMATION CONTAINED HEREIN IS PROPRIETARY TO QUAL ELECTRONICS, INC. ANY USE OR DISCLOSURE OF THIS INFORMATION, EXCEPT FOR THE EXCLUSIVE BENEFIT OF QUAL ELECTRONICS, INC. IS PROHIBITED.

QUAIL ELECTRONICS, INC.
http://www.quail.com