
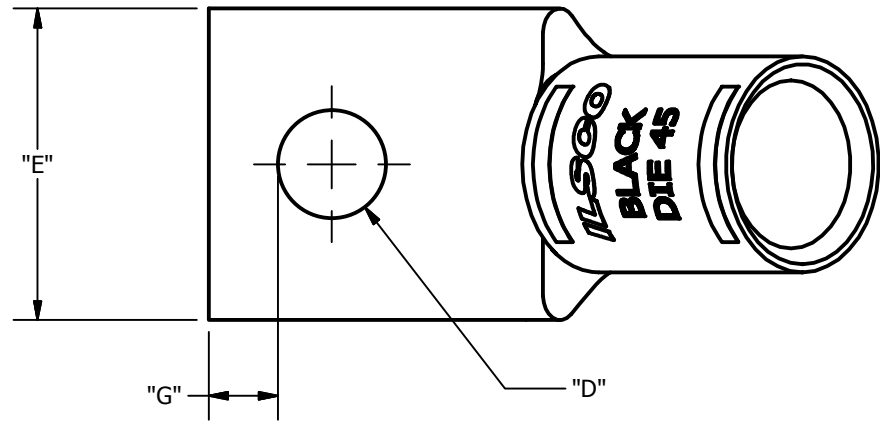


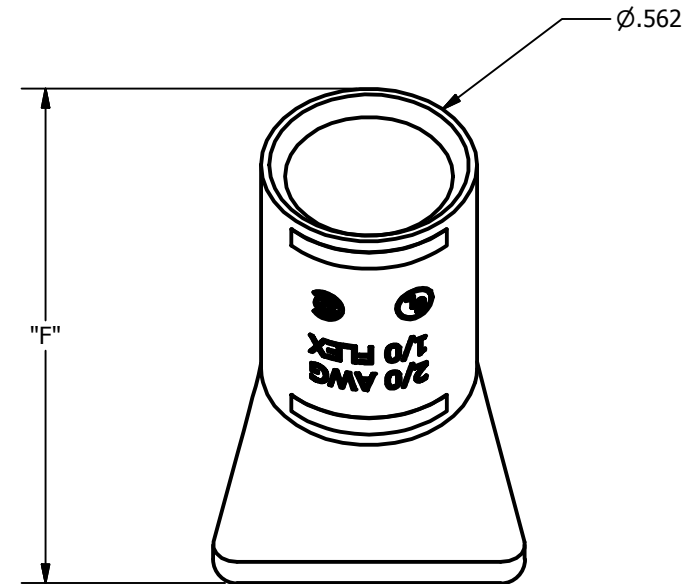
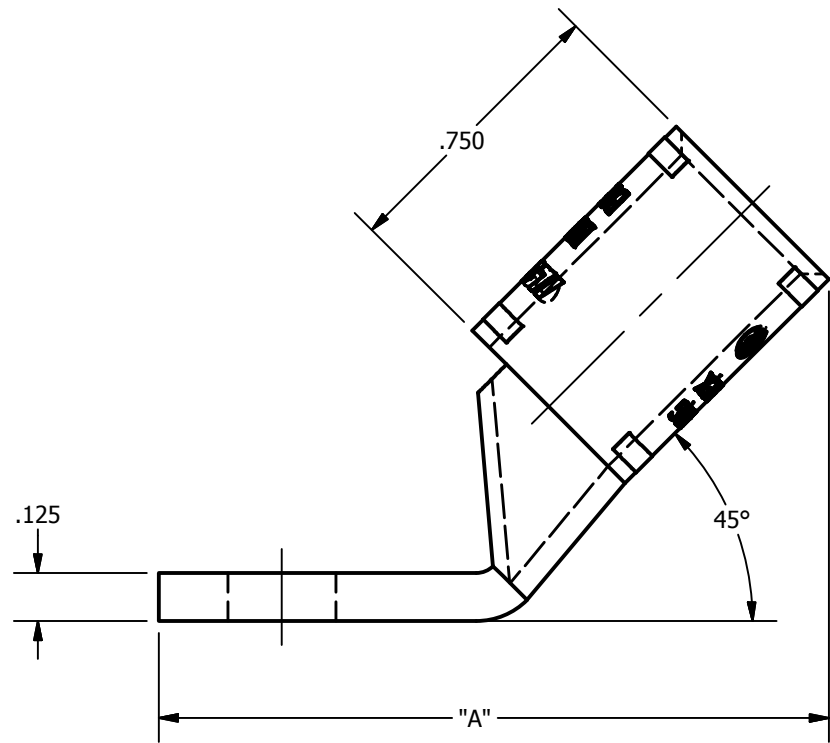
SCREW: NONE	MATERIAL: COPPER	REV: C	 800-776-9775 www.ilSCO.com
CAT. NO.: SEE CHART	PLATING: EL-TIN	DRAWN BY: DW SCALE: NTS	
INFORMATION SHEET: FORM 157	MARKING: SEE CHART	DATE: 6/3/2008 SIZE: B	
			DWG NO: Y0811-S-4 SHEET: 1 OF 1



DETAIL C
INK MARK TOP



DETAIL D
INK MARK BOTTOM



CATALOG NUMBER	"A"	"D"	"E"	"F"	"G"	TANG MARKING
CSWB-2/0-10-4	1.513	0.219	0.811	1.301	0.148	UL, ILSCO, CSA, CSWB-2/0-10-4, 10, 2/0 AWG, 1/0 FLEX, DIE 45
CSWB-2/0-14-4	1.826	0.281	0.811	1.301	0.180	UL, ILSCO, CSA, CSWB-2/0-14-4, 1/4, 2/0 AWG, 1/0 FLEX, DIE 45
CSWB-2/0-12-4	2.201	0.562	0.811	1.301	0.265	UL, ILSCO, CSA, CSWB-2/0-12-4, 1/2, 2/0 AWG, 1/0 FLEX, DIE 45
CSWB-2/0-58-4	2.388	0.656	TBD	1.301	0.343	UL, ILSCO, CSA, CSWB-2/0-58-4, 5/8, 2/0 AWG, 1/0 FLEX, DIE 45
CSWB-2/0-34-4	2.638	0.781	0.969	1.301	0.359	UL, ILSCO, CSA, CSWB-2/0-34-4, 3/4, 2/0 AWG, 1/0 FLEX, DIE 45
CSWB-2/0-38-4	1.826	0.406	0.811	1.301	0.211	UL, ILSCO, CSA, CSWB-2/0-38-4, 3/8, 2/0 AWG, 1/0 FLEX, DIE 45
CSWB-2/0-516-4	1.826	0.343	0.811	1.301	0.180	UL, ILSCO, CSA, CSWB-2/0-516-4, 5/16, 2/0 AWG, 1/0 FLEX, DIE 45