
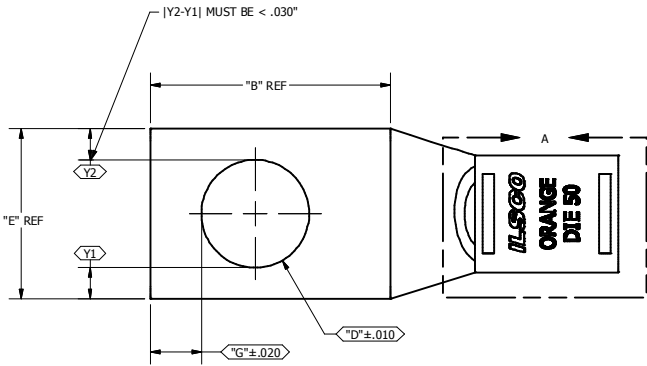
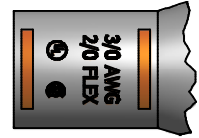


NOTE: MOUNTING SURFACE MUST BE BURR FREE AFTER TUMBLING
SUTHERLAND 121 TON SHUT HEIGHT:

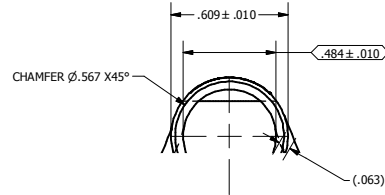
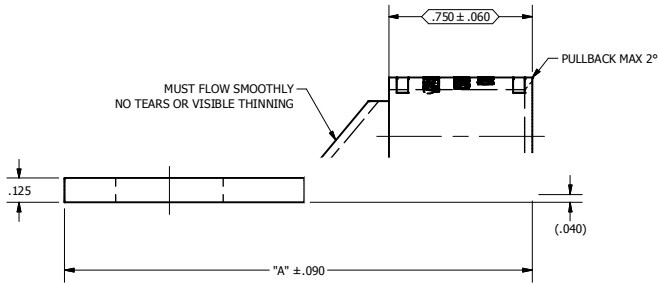
SCREW: N/A	MATERIAL: L118425, CDA-122 CU	CELL: CSP	TOLERANCES-UNLESS OTHERWISE SPECIFIED 2 PL. DEC. ±.015 3 PL. DEC. ±.015	DWG. NO. Y0911-S	
CAT. NO.: SEE CHART	PLATING: EL-TIN	STUFFER SHT.: FORM 157	TRUE C.L. ±.015 ANGLES #1	SHEET 1 OF 1	
MASS: SEE CHART	MARKING: SEE CHART		DRAWN BY: DW	SCALE: 1:1	
SURFACE AREA:			DATE: 8/6/2007	SIZE: B	
				REV. H	DESCRIPTION ACTIVATE 87 DEVIATION ECN 29809 CLH 03-13-12



DETAIL A, SCALE 2 : 1
TOP INK MARKING
INK COLOR: ORANGE PLT9 #115
HARDENER: PLH
PER SPEC #: F921



DETAIL B SCALE 2 : 1
BOTTOM INK MARKING
INK COLOR: ORANGE PLT9 #115
HARDENER: PLH
PER SPEC #: F921



Part Number	Catalog Number	"A"	"B"	"C"	"D"	"E"	"G"	SAWCUT LENGTH	TANG MARKING
Y0911C33T	CSWS-3/0-10	1.751	0.562	0.000	0.219	.885	0.148	1.813	UL, ILSCO, CSA, CSWS-3/0-10, 3/0 AWG, 2/0 FLEX, DIE 50
Y0911C36T	CSWS-3/0-14	2.064	0.875	0.000	0.281	.885	0.180	2.126	UL, ILSCO, CSA, CSWS-3/0-14, 3/0 AWG, 2/0 FLEX, DIE 50
Y0911C47T	CSWS-3/0-516	2.064	0.875	0.000	0.343	.885	0.180	2.126	UL, ILSCO, CSA, CSWS-3/0-516, 3/0 AWG, 2/0 FLEX, DIE 50
Y0911C46T	CSWS-3/0-38	2.064	0.875	0.000	0.406	.885	0.211	2.126	UL, ILSCO, CSA, CSWS-3/0-38, 3/0 AWG, 2/0 FLEX, DIE 50
Y0911C42T	CSWS-3/0-12	2.439	1.250	0.000	0.562	.885	0.265	2.501	UL, ILSCO, CSA, CSWS-3/0-12, 3/0 AWG, 2/0 FLEX, DIE 50
Y0911C43T	CSWS-3/0-58	2.626	1.437	0.000	0.656	.885	0.343	2.688	UL, ILSCO, CSA, CSWS-3/0-58, 3/0 AWG, 2/0 FLEX, DIE 50
Y0911C44T	CSWS-3/0-34	2.876	1.687	0.000	0.781	.969	0.359	2.938	UL, ILSCO, CSA, CSWS-3/0-34, 3/0 AWG, 2/0 FLEX, DIE 50
Y0911C87T	CSWS-3/0-716	2.064	0.875	0.000	0.468	0.885	0.180	2.126	UL, ILSCO, CSA, CSWS-3/0-716, 3/0 AWG, 2/0 FLEX, DIE 50