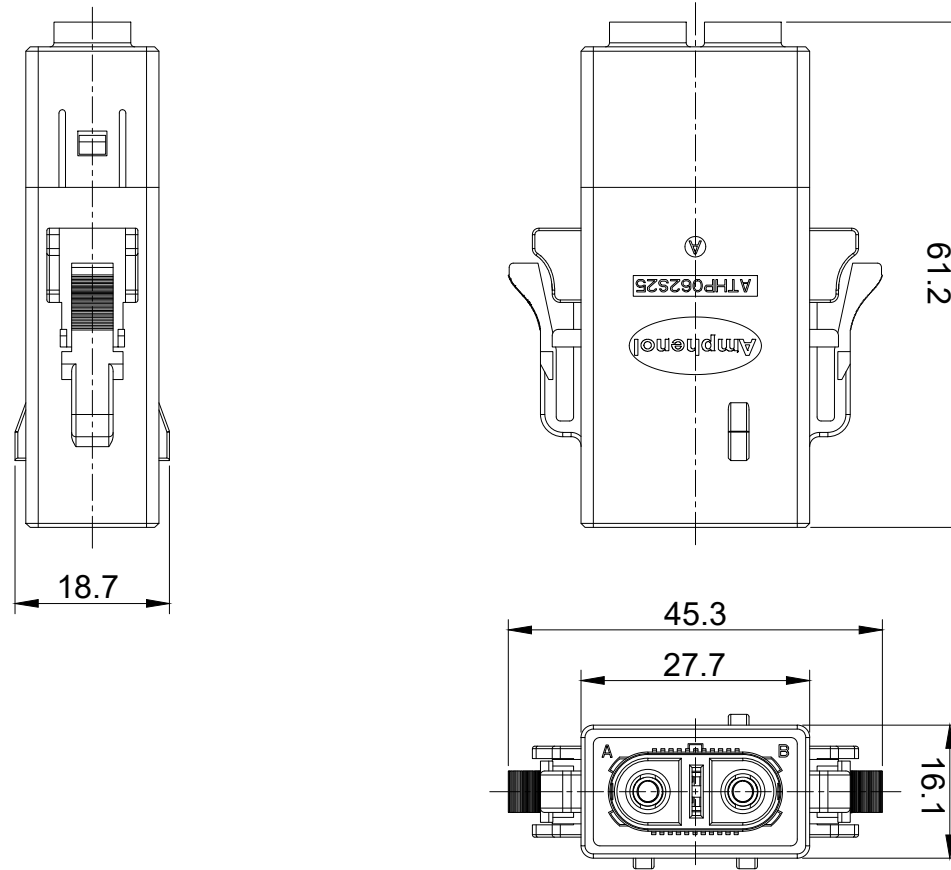


Manufacturer: Amphenol  
 Manufacturer PN: HVSL1200062B195  
 Vendor: Mouser



-	-	-	-	-
SYM	CHANGE	ERN	DATE	BY
REVISIONS				
	<b>CAPACITY</b>		401 CAPACITY DRIVE LONGVIEW, TEXAS 75604	
	<b>NOTES</b> 1. DO NOT SCALE PRINT. 2. DESTROY ALL PREVIOUS REVISIONS. 3. ALL DRAWING CHANGES ARE TO BE MADE ON CAD SYSTEM ACCORDING TO CAPACITY DRAFTING STANDARDS.	<b>TOLERANCE, UNLESS OTHERWISE NOTED.</b> 0.X ± 0.060 0.XX ± 0.030 0.XXX ± 0.010 ANGLE ± 1°	THIS DRAWING AND ALL INFORMATION THEREON IS THE PROPERTY OF CAPACITY OF TEXAS. IT IS LOANED AS CONFIDENTIAL AND MUST NOT BE USED IN ANY WAY THAT IS DETRIMENTAL TO OUR INTERESTS.	
HVY DUTY HV LOOP EMC SHIELD 2PLUG				
MATERIAL				
FIRST USED			ECN 23-0394	
DRW	BDH	DATE 10/03/2023	SIZE	PART NO.
CHK	CC	DATE 10/03/2023	B	10009738
SCALE	NS	SHEET 1 OF 1		