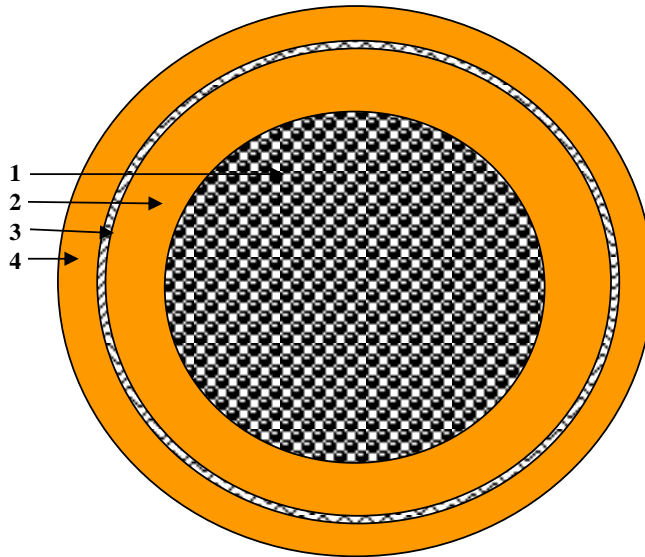


REV.	DESCRIPTION	DATE
0	Initial release.	8/13/2015

General Properties High Voltage 25mm² EXTRAD HVFX/XLE Shielded Cable - 1000 volts

Application Hybrid or Electric Powered Vehicles

General Composition of Cable See Below



Color Code
 Inner Orange
 Outer Jacket Orange

Physical Data	Description	Dimensions (Nom.)	
		inches	mm
1. Conductor:	25mm ² 196/0.40mm bare copper	0.250	6.35
2. Insulation:	EXRAD HVFX wall thickness: 38 mil	0.326	8.28
3. Shield	36 AWG tinned copper braid 95% minimum coverage	0.349	8.86
4. Jacket	EXRAD XLE wall thickness: 40 mil	0.429	10.90
		Outside diameter tolerance	+/- 0.015 +/- 0.38mm

Print Legend: EXTRAD HVFX/XLE 25mm² Shielded Cable XXXXX xxxxx-lot code

Electrical Data
 Conductor Resistance:: 0.74 ohms/km @20° C nominal
 Voltage Rating 1000 volts max, per SAE 1654, Tested to UL 758 Section 48

General Data
 Use: High Voltage Power Cables for Electric or Hybrid Vehicles
 Temperature Range: -40° C to +150° C per ISO 6722 3000 Hours
 Primary Insulation Meets Requirements of ISO 6722 Class D, Thin Wall
 Jacket Insulation Meets Performance Requirements of ISO 6722 Class D

Weight 221 pounds/kft
 Bend Radius: inches mm
 1.7 44



TITLE
25mm² BC EXTRAD HVFX/XLE Shielded Cable

UNLESS OTHERWISE SPECIFIED, DIMENSIONS AND TOLERANCES ARE IN INCHES DO NOT SCALE THIS DRAWING	DRN.	Michael Cienkus	DATE	8/13/2015
	CKD.	Nathan Bacon	DATE	8/14/2015
	SIZE	PART NUMBER	DOCUMENT NUMBER	
	A	15-08092-001	15123	

The information on this drawing is the proprietary property of Champlain Cable Corporation, and may not be used, reproduced or disclosed to others, in whole or in part, without written authorization.