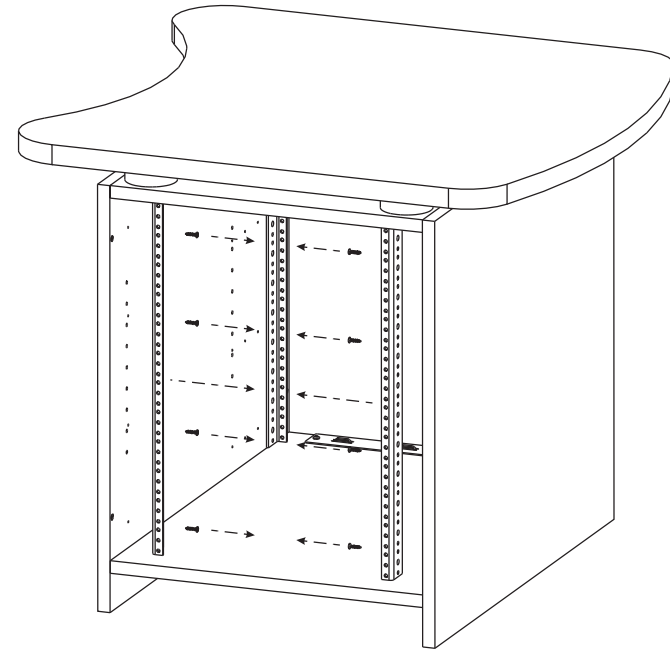


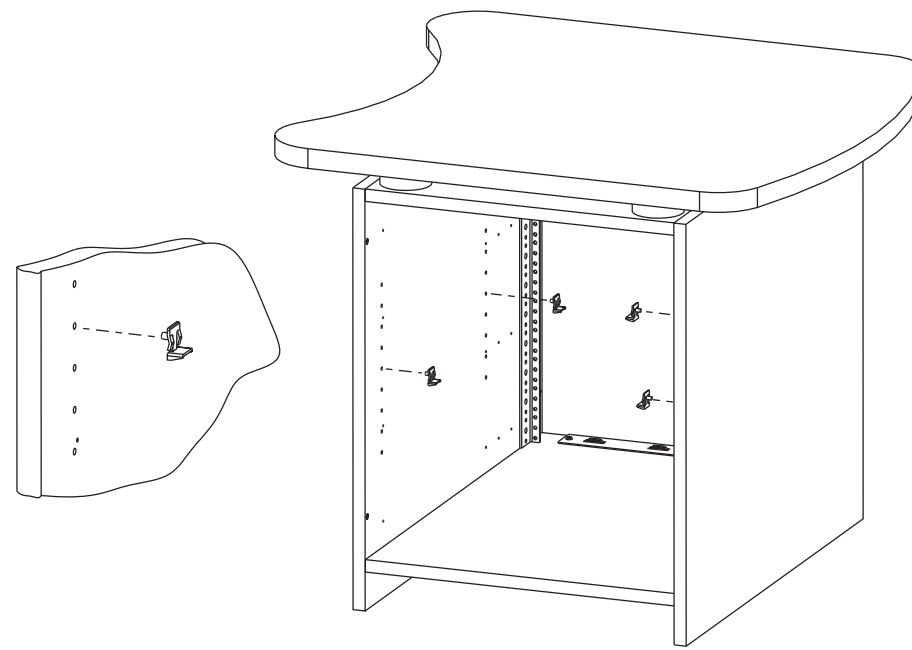
# EDIT CENTER SIDE BAY SHELF

MODELS ESHOLF - INSTALLATION INSTRUCTIONS

1. REMOVE FRONT RACK RAIL

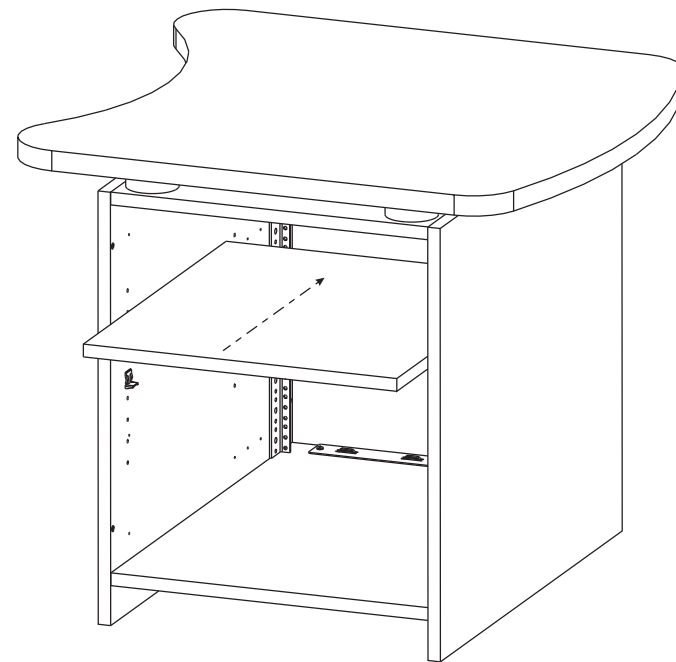


2. INSERT 4 SHELF CLIPS AS SHOWN AT DESIRED HEIGHT.

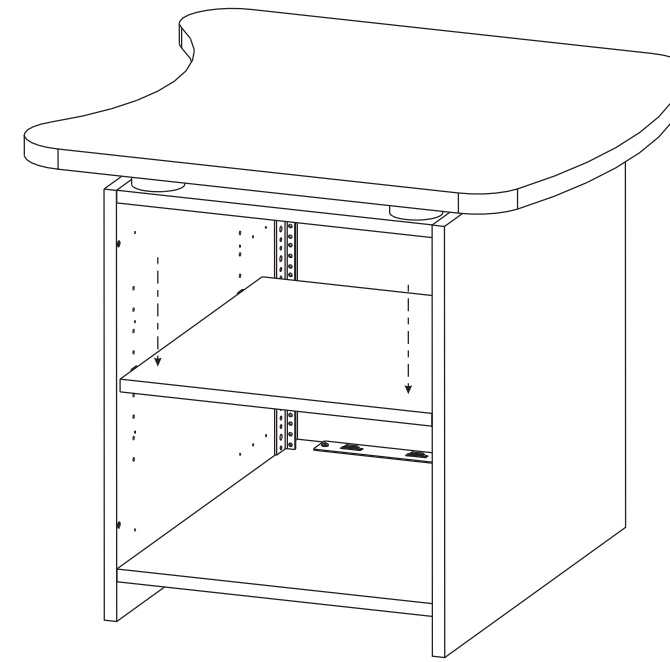



NOTE:  
REAR RACK RAIL CAN BE REMOVED OR UTILIZED FOR RACK MOUNT EQUIPMENT ABOVE AND BELOW THE SHELF, DEPENDENT ON APPLICATION.

3. INSERT SHELF FROM FRONT.



4. PRESS SHELF DOWN ONTO CLIPS



Instruction # <b>I-2501</b>	Rev. <b>B</b>	Date: <b>1/23/04</b>	
Part # <b>ESHOLF</b>	Assembly: <b>full</b>		
Page: <b>1 of 1</b>	Voice 973-839-1011 Fax 973-839-1976		<b>Middle Atlantic Products, Inc.</b>
			<a href="http://www.middleatlantic.com">www.middleatlantic.com</a>