

REVISIONS				
ZONE	REV	DESCRIPTION	DATE	APPROVED

**Specification**

Meet Cat.6/Class E Screened 3-connector  
 Channel of ANS/TIA/EIA-568-B.2-1  
 ISO/IEC 11801, CENELEC EN 50173  
 Meet IEC 60603-7

**Electrical**

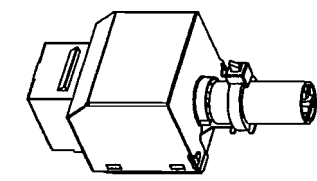
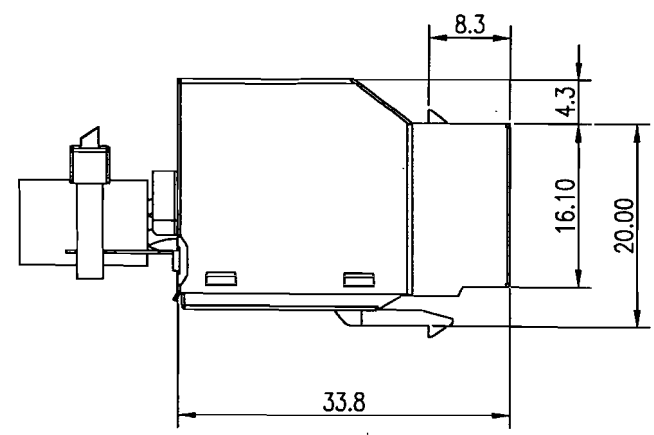
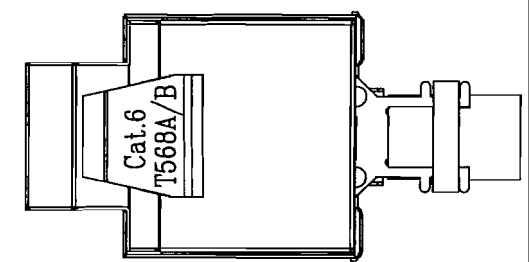
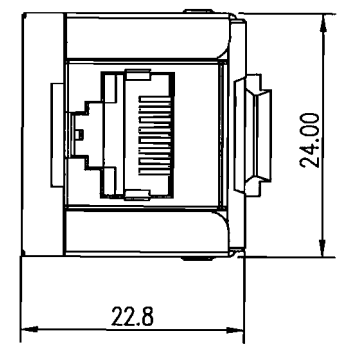
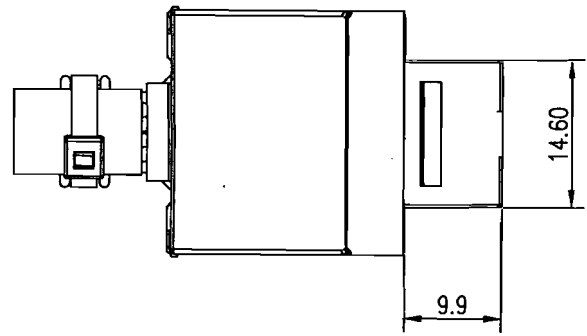
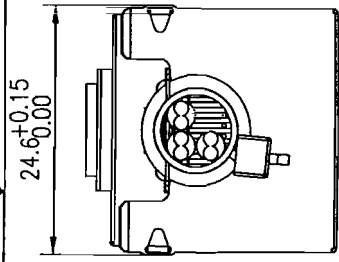
Current Rating: 1.5 Amps  
 Insulation Resistance: 500 Mohms Minimum  
 Contact Resistance: 20 mohms Maximum  
 DC Resistance: 0.1 ohms Maximum  
 Shield Transfer Impedance @ 100 MHz 2000 mohms Max.


**Mechanical**

Plug Insertion Life: 750 Cycles Minimum  
 Plug & Jack Contact Force: 100 Grams Minimum  
 Using FCC-Approved Plug  
 Plug Retention Force: 30 lbs Minimum  
 Temperature: -40° to 150°F (-40° to 68°)

**Physicals**

Housing: High Impact Flame Retardant Plastic,  
 UL 94V-0 Rated  
 Shield: 0.3mm Thickness Electrolytic Tin Plate  
 PCB: FR4, 1.0mm Thickness  
 Jack Wiring: 30u"/0.80um of Gold Over  
 100u"/2.54um of Nickel  
 Connector: Insulation Displacement Connector  
 (IDC) Accept 22-26 AWG Solid Wire



BY	DATE	 <b>PAN PACIFIC          ENTERPRISES CO.,INC</b>	
DRAWN			
CHK'D		PART NO	
APPRV		<b>DCS-VC6-8-BK-R</b>	
MATERIAL		UNITS	
FINISH		SCALE	SHEET
		NONE	1 OF 1

041-33

041-33