

NU-GUARD SC-P



NU-GUARD SC-P



Mechanical & Abrasion Protection
Noise Reduction



Self-Closing Sleeving



Knitted



PET monofilament
Texturized multifilament



Standard: Black with blue stripe, orange with no stripe
Option: Yellow with tan stripe upon request



Low: -40°C (-40°F)
High: 150°C (302°F)



High abrasion resistance
Noise reduction >10 dB

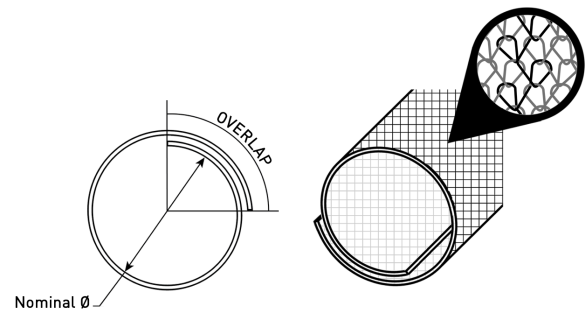
PHYSICAL PROPERTIES

Physical properties	Spec	Value
Operating temperature	-	-40/150°C (-40/302°F)
Peak temperature	-	175°C (347°F)
Abrasion resistance	SAE ARP 1536A	> 200 000 cycles
Flammability	FMVSS 302	self-extinguishing
Chemical resistance	Resists the majority of chemicals and automotive fluids	

DIMENSIONS

Designation*	Nominal Ø (inches)	Nominal Ø (mm)	Functional Ø (mm)
NU-GUARD SC-P 05	3/16"	5	4 - 5
NU-GUARD SC-P 08	5/16"	8	6 - 8
NU-GUARD SC-P 10	3/8"	10	9 - 10
NU-GUARD SC-P 13	1/2"	13	11 - 13
NU-GUARD SC-P 16	5/8"	16	14 - 16
NU-GUARD SC-P 19	3/4"	19	17 - 19
NU-GUARD SC-P 25	1"	25	20 - 25
NU-GUARD SC-P 29	1 1/8"	29	26 - 29
NU-GUARD SC-P 32	1 1/4"	32	30 - 32
NU-GUARD SC-P 38	1 1/2"	38	33 - 38
NU-GUARD SC-P 42	1 3/4"	42	39 - 44

* For orange version, add ORANGE at the end of the designation
(ex.: NU-GUARD SC-P 05 ORANGE)



PACKAGING

Coils
Cut lengths upon request